



INSTALLATION INSTRUCTIONS

Accessory

SPARE TIRE COVER
P/N 08U02-S9A-100A

Application

CR-V

Publications No.

All 27192

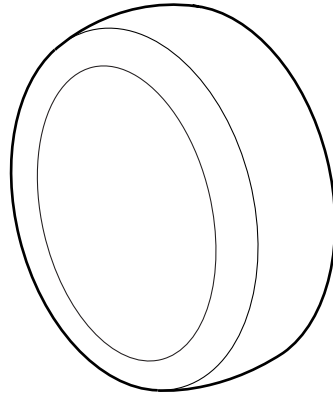
Issue Date

SEP 2004

Put this information in the glove box with the vehicle owner's manual.

PARTS LIST

Spare tire cover

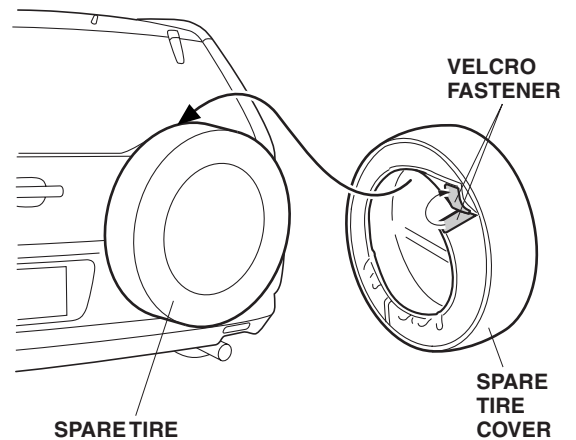


INSTALLATION

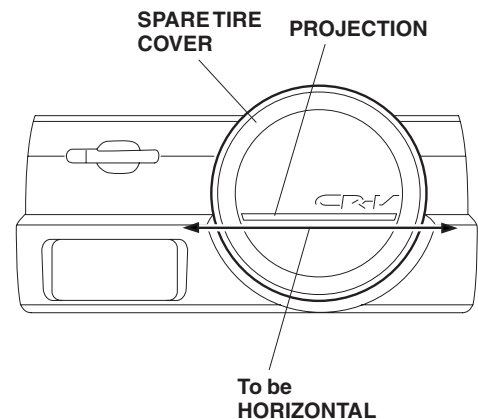
NOTE:

- This product is made of resin and vinyl leather and can be damaged if it falls or is struck with a hard object.
- Do not use the spare tire cover for the tires other than those specified:
Specified Tire Sizes 215/60R17
215/65R16

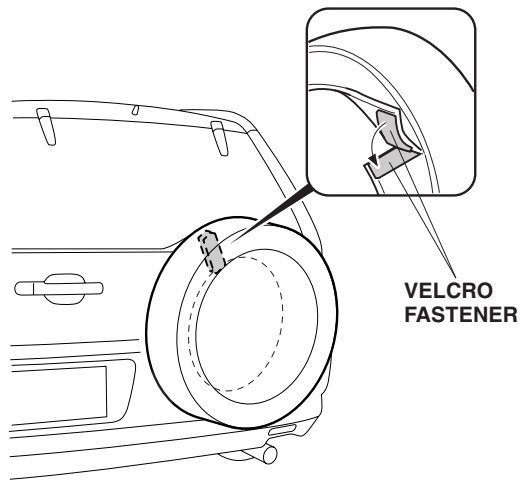
1. Check that the spare tire is of the specified size and is inflated to the proper tire pressure.
2. Open the Velcro fasteners.
3. Place the spare tire cover over the spare tire.



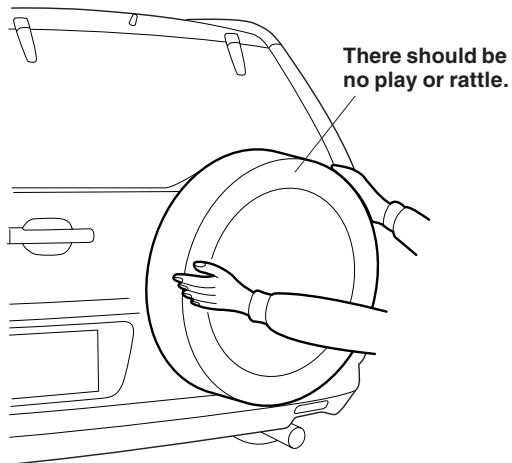
4. Position the cover on the spare tire so that the projection is horizontal.



- Secure the Velcro fasteners.



- Check that the spare tire cover is placed over the spare tire snugly without play.



- To remove the spare tire cover, reverse the installation procedure.
- If the fasteners are frozen and refuse to open, remove the snow or ice, then open them carefully. Forcing a frozen fastener open may cause damage to it.

USE AND CARE

- To clean the spare tire cover, use a clean cloth or sponge wet with mild detergent and water solution.