



# HONDA INSTALLATION INSTRUCTIONS

Accessory

ALL SEASON FLOOR MATS  
P/N 08P13-SWA-100

Application

CR-V

Publications No.

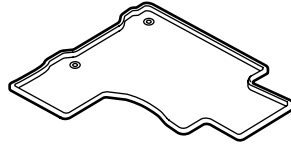
All 32944

Issue Date

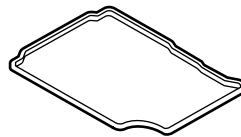
SEP 2006

## PARTS LIST

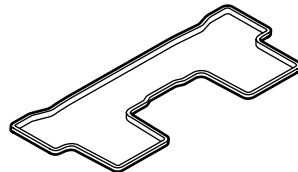
Driver's side front all season mat



Passenger's side front all season mat



Rear all season mat

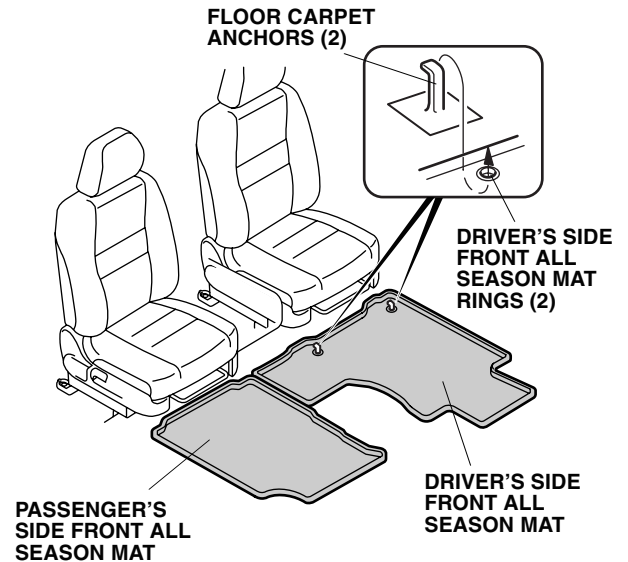


## INSTALLATION

### NOTE:

- Before installing, identify each all season mat.
- Remove the standard mats before installing these new all season mats.
- The floor mat anchors standard equipment are required for the driver's side of the vehicle; the anchor prevents the driver's side all season mat from sliding forward and interfering with the pedals.
- If you remove the floor mat, make sure you re-anchor it when you put it back in your vehicle.
- Do not put additional floor mats on top of the anchored mat; the additional mats may slide forward and possibly interfere with the floor pedals.

1. Install the driver's side front all season mat by placing the two mat rings on the all season mat over the two anchors on the floor carpet.



2. Install the passenger's side front all season mat.
3. Install the rear all season mat.

