

HONDA INSTALLATION INSTRUCTIONS

Accessory
LX CD PLAYER

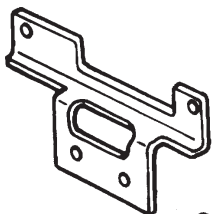
Application
CR-V

Publications No.
All 19454
Issue Date
JAN 1998

PARTS LIST

CD Player Attachment Kit:
P/N 08B12-S10-100

Bracket



2 Wire clips



Spacer



4 Washer-screws, 4 x 8 mm

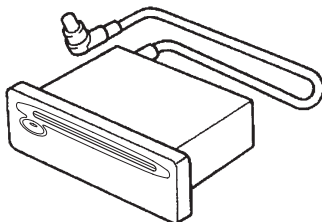


2 Washers-screws, 5 x 8 mm
(not used)



CD Player (sold separately):
P/N 08A06-371-220

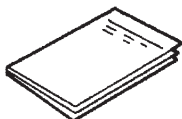
CD Player



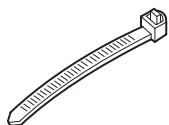
2 Washer-screws, 4 x 8 mm



Owner's Manual



Wire tie



TOOLS REQUIRED

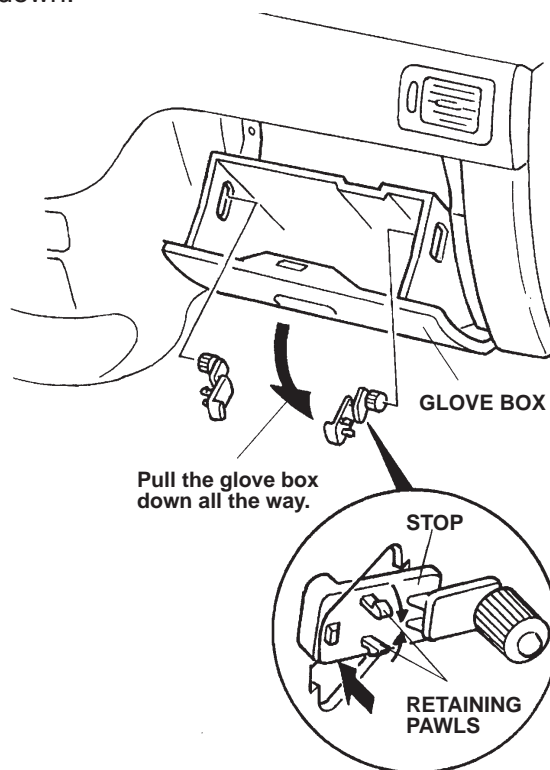
Diagonal cutters

#2 Phillips screwdriver

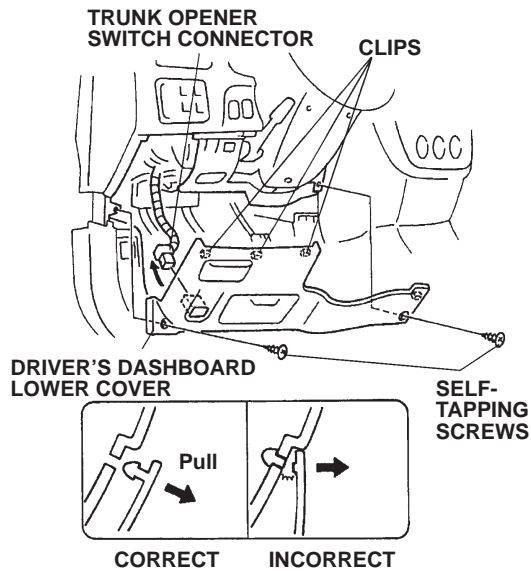
INSTALLATION

Customer Information: The installation information in this Accessory Installation Instruction is intended for use only by skilled technicians who have the proper tools, equipment, and training to correctly and safely add equipment to your vehicle. These procedures should not be attempted by "do-it-yourselfers."

1. If equipped, make sure you have the anti-theft code for the radio, then write down the frequencies for the preset buttons on the radio.
2. Slide the driver's seat completely to the rear.
3. Disconnect the negative cable from the battery.
4. Open the glove box. Squeeze the retaining pawls, and remove the stop. Pull the glove box down.



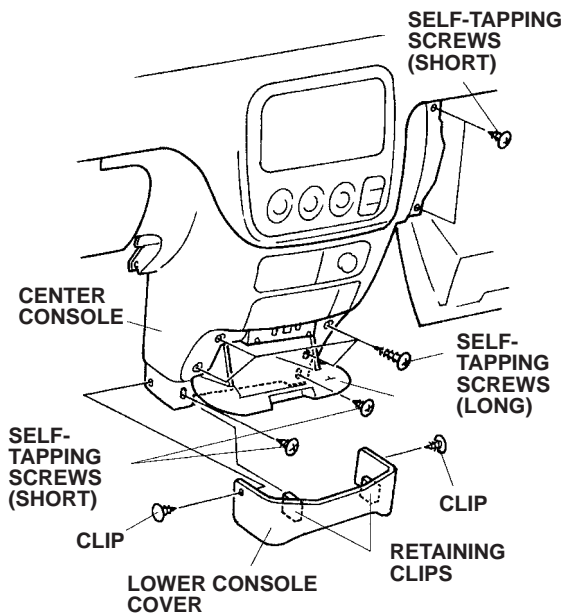
- Remove the driver's dashboard lower cover (two self-tapping screws, four retaining clips and one connector).



- Remove the lower console cover.

AT Model:

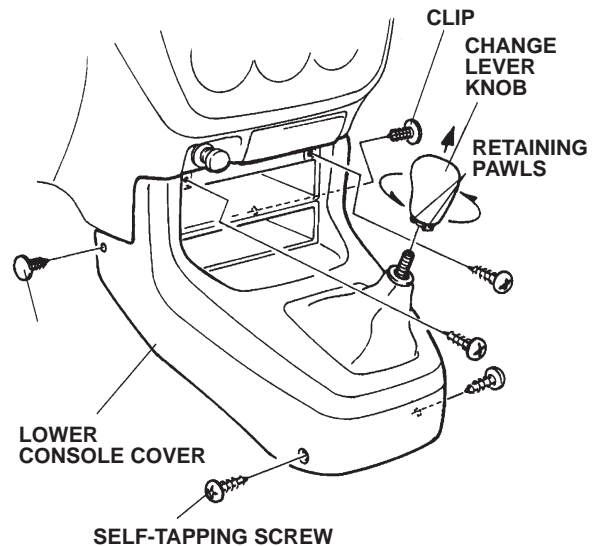
- Remove the two self-tapping screws attaching the right side of the center console.



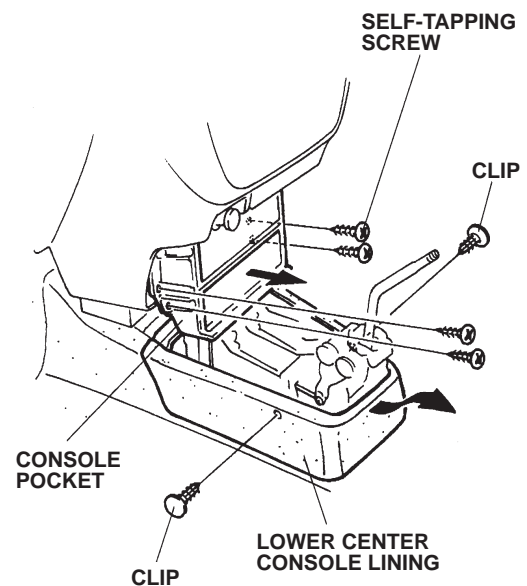
- Remove the two clips attaching the lower console cover, then remove it by pulling toward you.
- Remove the two self-tapping screws from the bottom of the center console, open the console pocket, and remove the four self-tapping screws behind the pocket.

MT Model:

- Remove the change lever knob by sliding the boot down while pressing down on the two retaining pawls at the bottom of the knob, then by turning it counterclockwise.



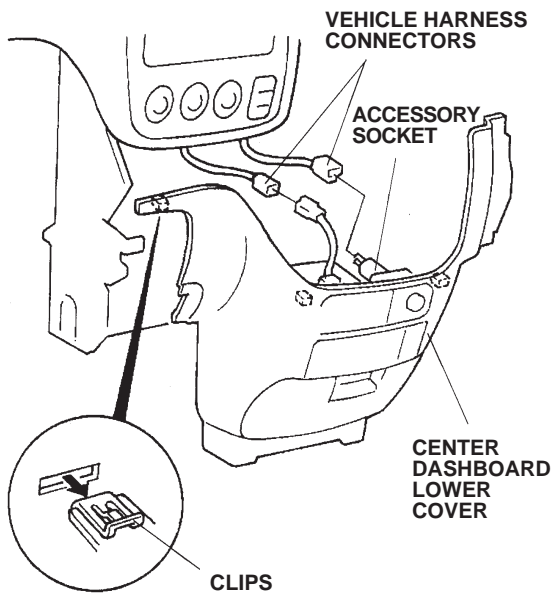
- Remove the four self-tapping screws and two clips fastening the lower center console cover and remove the console cover.
- Remove the four self-tapping screws securing the console pocket and remove the pocket.



- Remove the two clips that fasten the lower center console lining and remove the lining by lifting it upward.

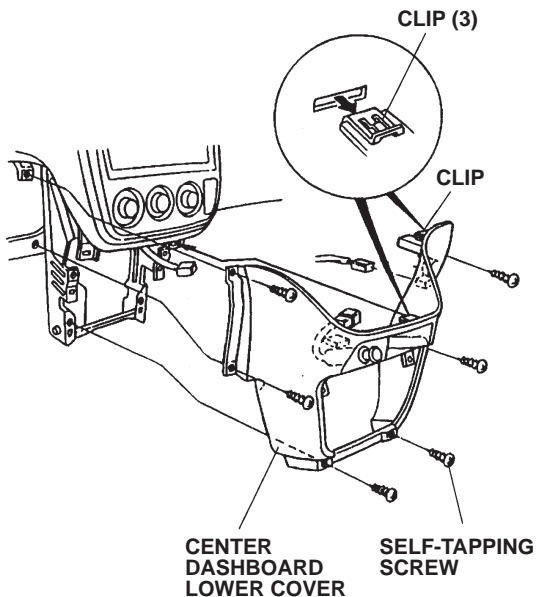
7. Remove the center dashboard lower cover.

AT Model: Gently pull the center dashboard lower cover toward you to release the three clips, then unplug the two connectors.



MT Model:

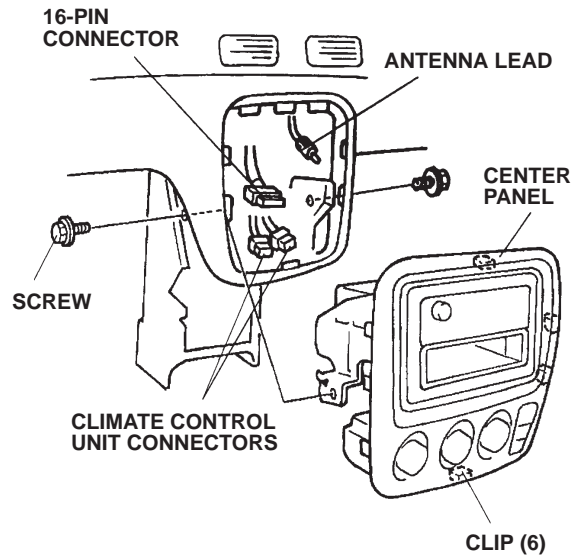
- Remove the five self-tapping screws fastening the center dashboard lower cover and pull the console out toward you to release the three retaining clips.



- Unplug the two connectors, and remove the center dashboard lower cover.

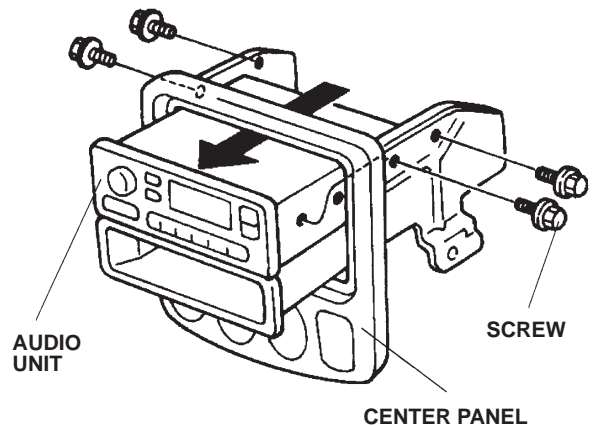
8. Remove the two screws attaching the center panel, and remove the panel:

- Unplug the 16-pin connector and antenna lead from the audio unit.

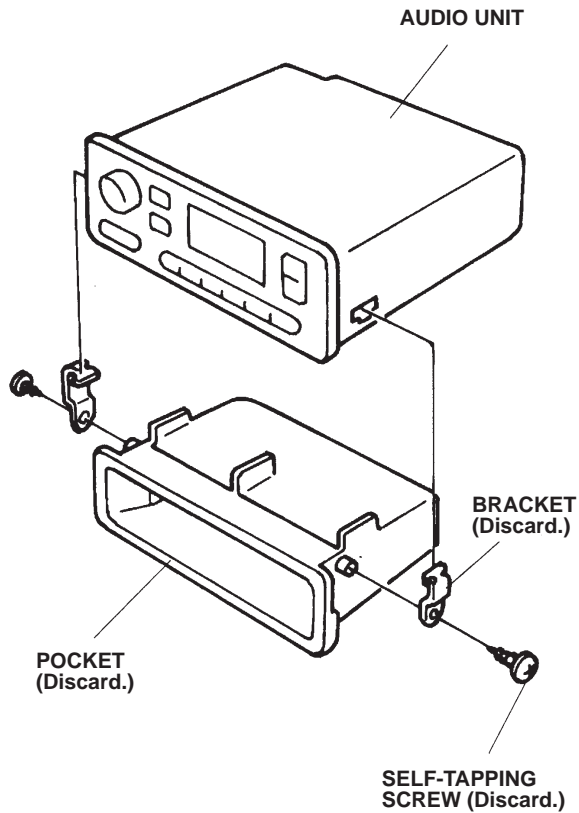


- Unplug the two connectors from the climate control unit.

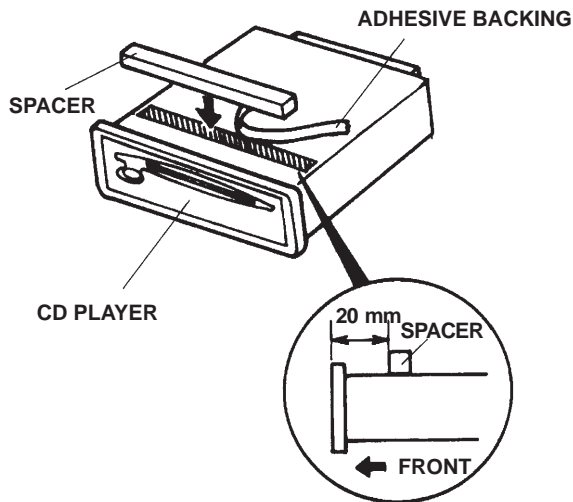
9. Remove the four screws that attach the audio unit to the center panel, then remove the audio unit.



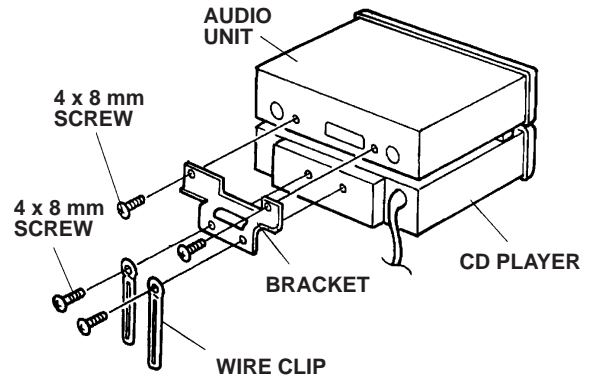
10. Separate the pocket from the audio unit by removing the two self-tapping screws.



11. Remove the adhesive backing from the spacer, and attach it to the CD player in the area shown.

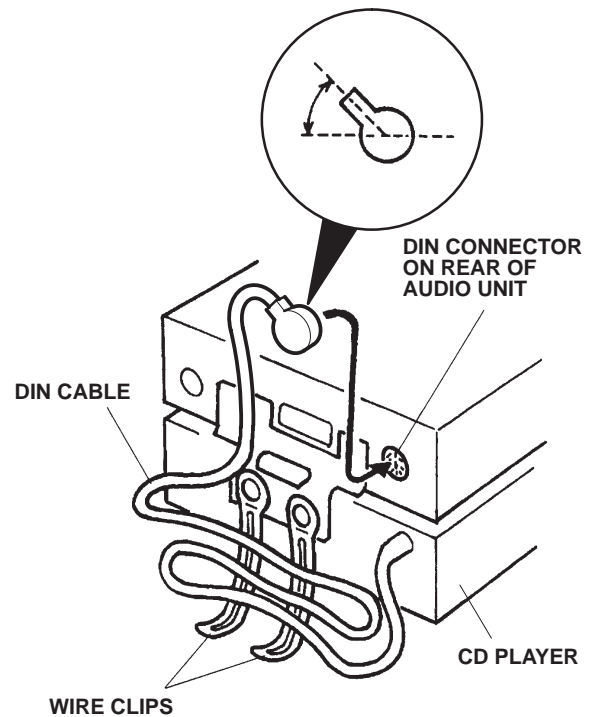


12. Place the audio unit on the CD player.

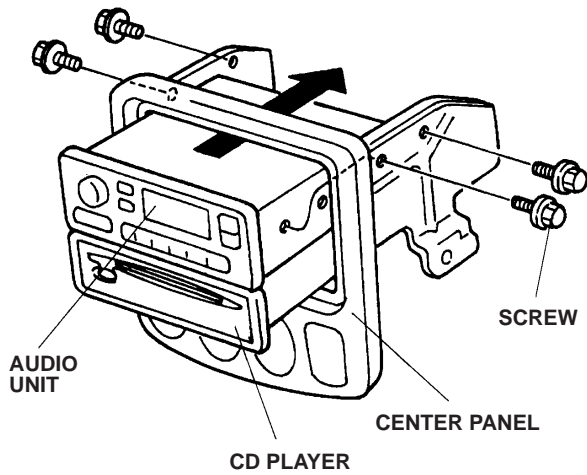


13. Position the bracket on the rear of the audio unit and CD player; and then install the four 4 x 8 mm screws. Install the two lower screws through the wire clips.

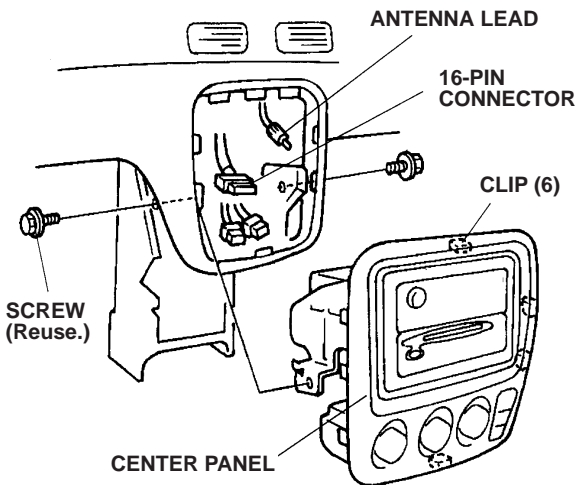
14. Plug the DIN connector from the CD player into the rear of the audio unit; then fold and secure the DIN cable with the two wire clips.



- Carefully slide the audio unit assembly into the center panel, and install the four screws removed in step 9.

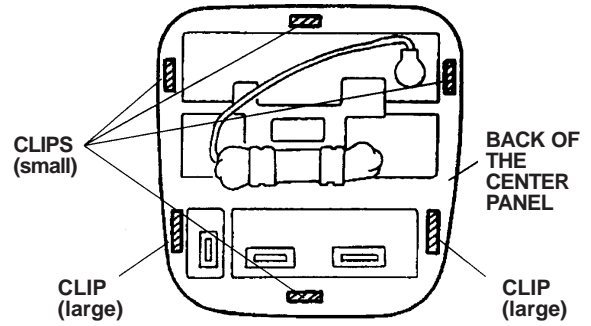


- Plug the antenna lead and 16-pin connector into the rear of the audio unit; then install the center panel on the dash.



- Check that the six retaining clips on the back of the center panel are not deformed or damaged. Noise may result if the clips are deformed and not installed properly. Replace the clips if they are deformed or damaged.

4 Clips (small) P/N 90666-S10-003
2 Clips (large) P/N 90666-SD4-003



- Be sure to insert the retaining clips in the slots in the dash panel securely when installing the center panel on the dash.

- Reinstall all removed parts.
- Check that all wire harnesses are routed properly and all connectors are plugged in.
- Reconnect the negative cable to the battery.
- If equipped, enter the customer's radio anti-theft code, and reset the radio station preset buttons.
- Reset the clock.
- Check that the CD player operates properly according to the Owner's Manual that comes with the unit.