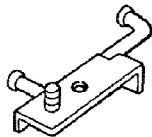


 HONDA INSTALLATION INSTRUCTIONS	Accessory CD CHANGER ATTACHMENT KIT	Application 2000 CR-V	Publications No. All 20634
			Issue Date OCT 1999

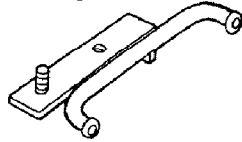
PARTS LIST

CD Changer Attachment Kit:
P/N 08B2611-S10-100

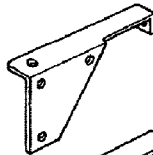
Left bracket



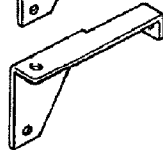
Right bracket



Right sub-bracket



Left sub-bracket



6 Washer-screws, 4 x 8 mm



6 Washer-bolts, 6 x 16 mm



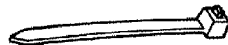
2 Nuts, 6 mm



Cushion tape



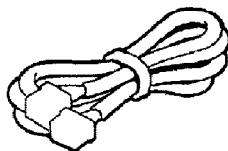
6 Long wire ties



6 Short wire ties

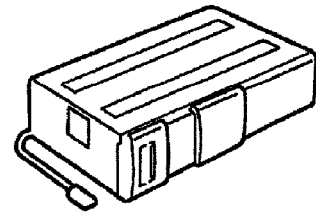


DIN cable



CD Changer (sold separately):
P/N 08A06-181-420

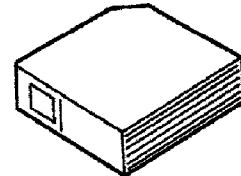
CD changer trunk unit



Owner's Manual



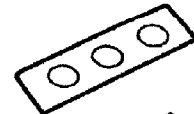
CD magazine



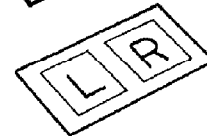
8 Washer-screws, 4 x 6 mm



Adhesive seal sheet



Locking covers



TOOLS REQUIRED

10 mm Combination wrench

#2 Phillips screwdriver

10 mm Socket

Ratchet

Diagonal cutters

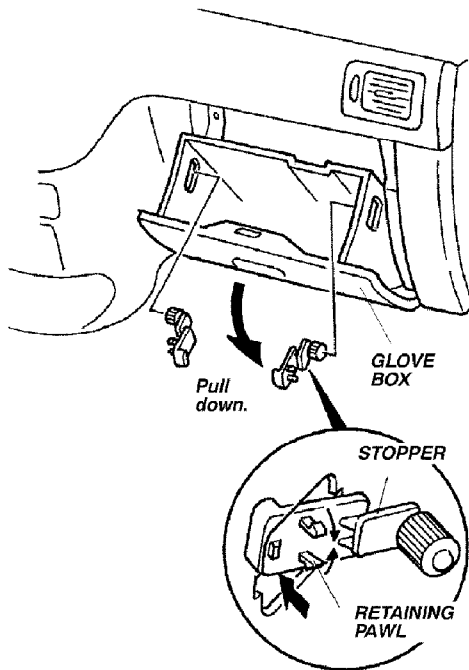
Flat-tip screwdriver

Awl

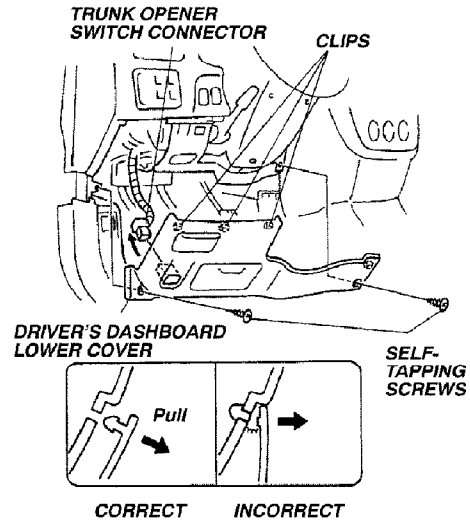
INSTALLATION

Customer Information: The information in this installation instruction is intended for use only by skilled technicians who have the proper tools, equipment, and training to correctly and safely add equipment to your vehicle. These procedures should not be attempted by "do-it-yourselfers."

1. If equipped, make sure you have the anti-theft code for the radio, then write down the frequencies for the preset buttons.
2. Slide the driver's seat completely to the rear.
3. Disconnect the negative cable from the battery.
4. Open the glove box. Squeeze the retaining pawls, and remove the stoppers. Pull the glove box down.



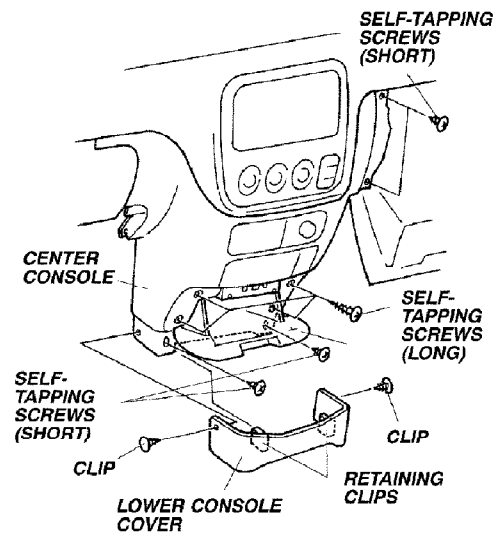
5. Remove the driver's dashboard lower cover (two self-tapping screws, four retaining clips, and one connector).



6. Remove the lower console cover.

AT Model:

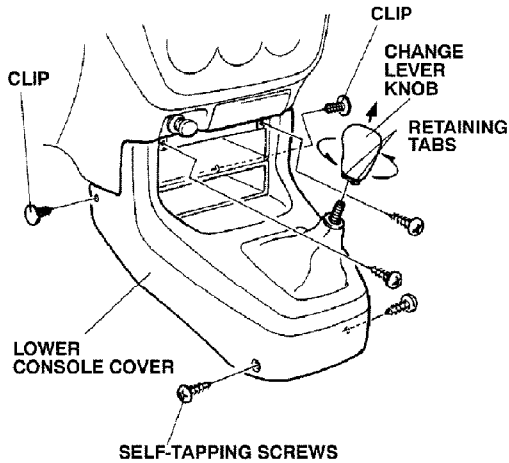
- Remove the two self-tapping screws attaching the right side of the center console.



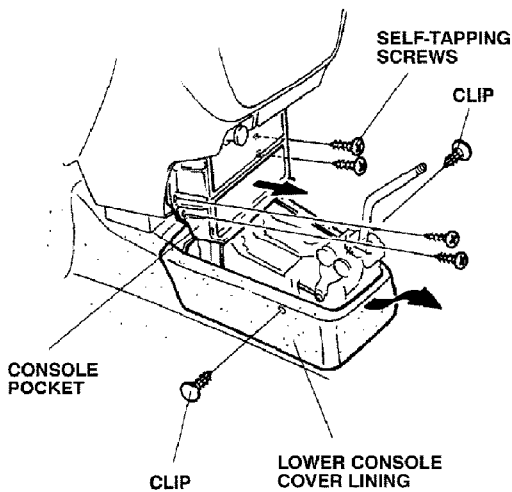
- Remove the two clips attaching the lower console cover, then remove it by pulling it toward you.
- Remove the two self-tapping screws from the bottom of the center console, open the console pocket, and remove the four self-tapping screws behind the pocket.

MT Model:

- Remove the change lever knob by sliding the boot down while pressing down on the two retaining tabs at the bottom of the knob. Remove the knob by turning it counterclockwise.



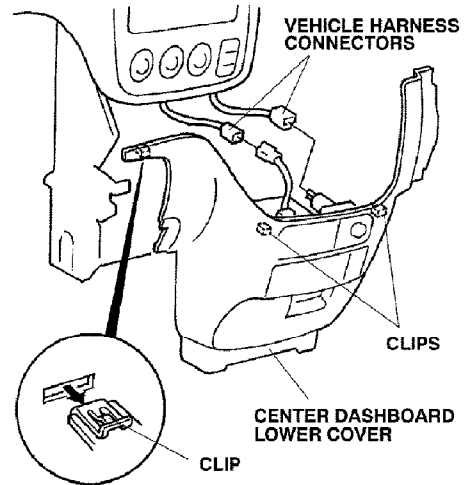
- Remove the four self-tapping screws and the two clips fastening the lower console cover, and remove the console cover.
- Remove the four self-tapping screws securing the console pocket, and remove the pocket.



- Remove the two clips that fasten the lower console cover lining, and remove the lining by lifting it upward.

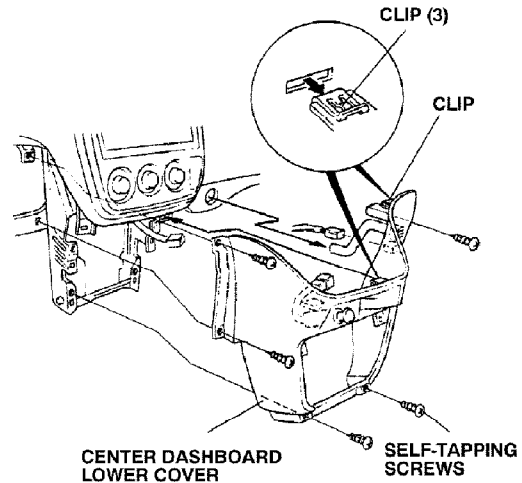
- Remove the center dashboard lower cover.

AT Model: Gently pull the center dashboard lower cover out toward you to release the three clips, then unplug the two connectors.



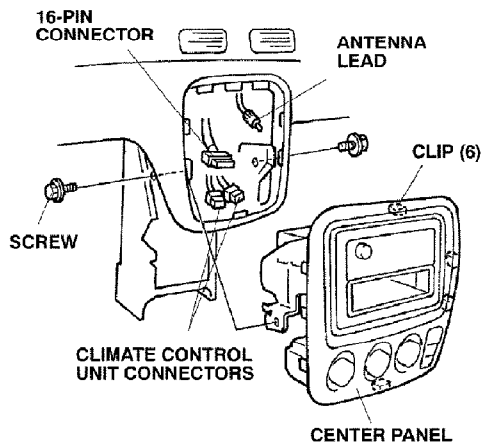
MT Model:

- Remove the five self-tapping screws fastening the center dashboard lower cover and pull it out toward you to release the three clips. Take care not to damage the retaining clips.

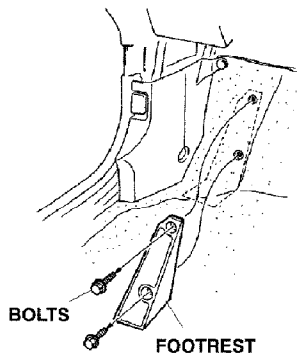


- Unplug the two connectors and disconnect the air vent hose.

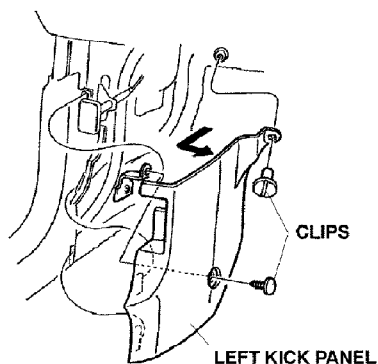
8. Remove the two screws attaching the center panel, and remove it:
- Unplug the 16-pin connector and the antenna lead from the audio unit.



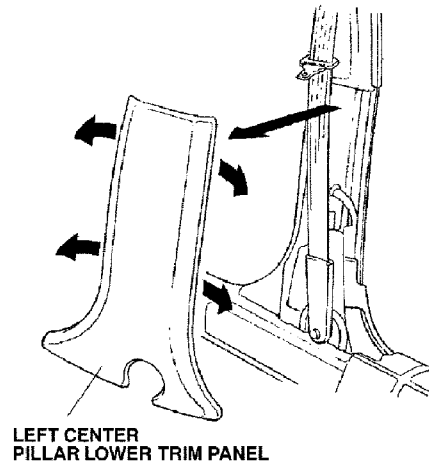
- Unplug the two connectors from the climate control unit connectors.
9. Remove the footrest (two bolts).



10. Remove the two clips that fasten the left kick panel. Slide the panel toward the rear of the vehicle to release the clips, then remove the panel.

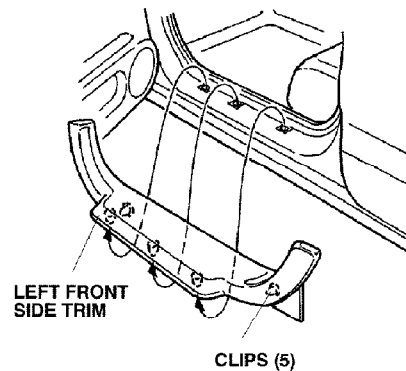
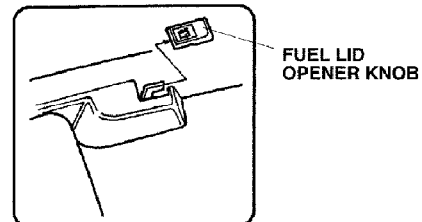


11. Remove the left center pillar lower trim panel.

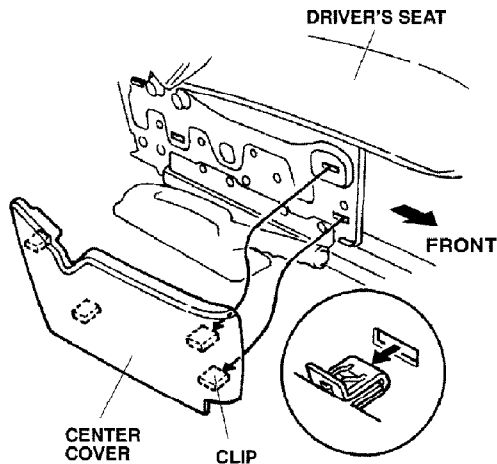


12. Release the two side clips by pulling the left front side trim toward the center of the vehicle, then release the other three clips by pulling upward. Remove the left front side trim.

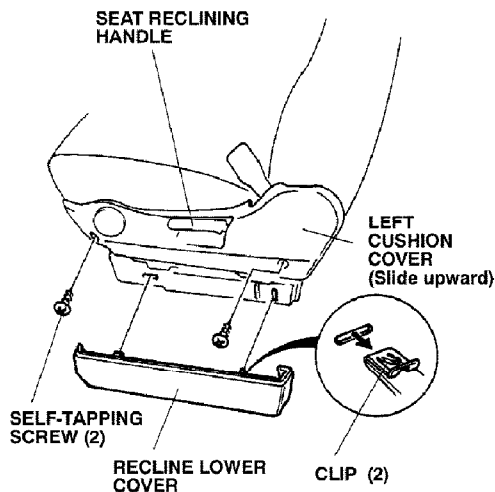
- Pull up and remove the fuel lid opener knob before removing the trim.
- Take care not to damage the clips.



13. Remove the center cover from the driver's seat.



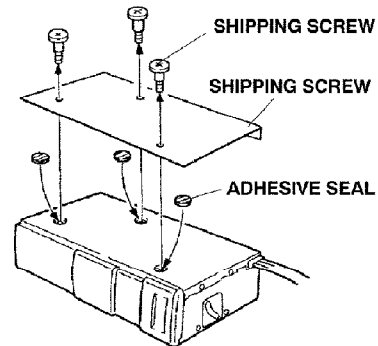
14. Remove the two self-tapping screws securing the recline cover; then remove the recline lever and slide the recline cover upward.



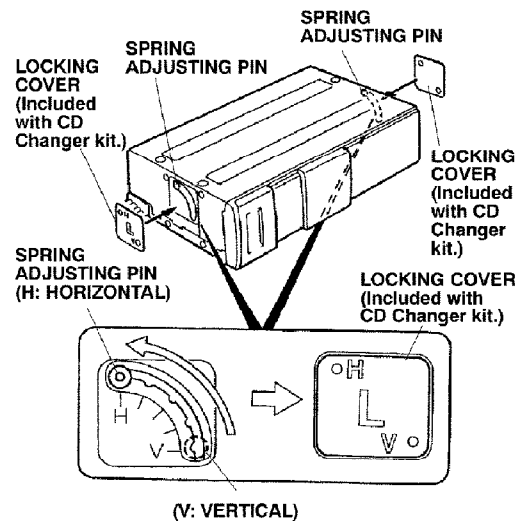
15. Release the clip, and remove the recline lower cover.

Installing the CD Changer

16. Carefully unpack the CD changer. Remove the three shipping screws, and discard the shipping cover. Install an adhesive seal (included with the CD Changer Kit) over each of the three screw holes.

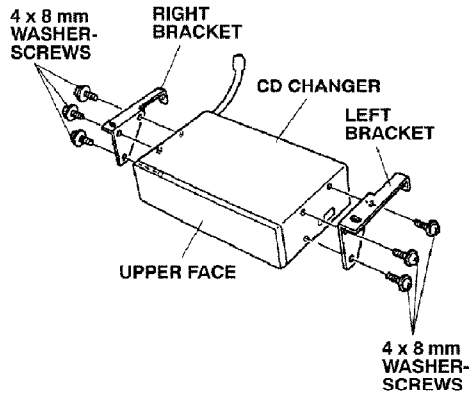


17. Visually check the position of the spring adjusting pins on both sides of the CD changer. The spring adjusting pins must be in the horizontal (H) position; if they are not in the horizontal position, move them with an awl.

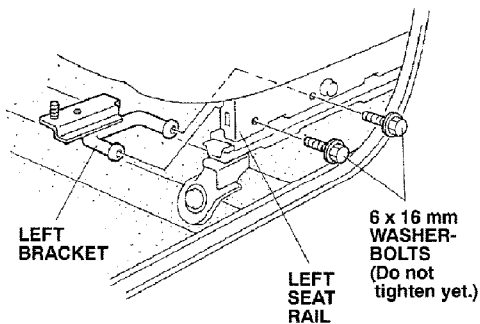


18. Remove the adhesive backing from the two locking covers, and attach the covers to the sides of the CD changer. Align the two diagonally opposite holes with the H and V positions.

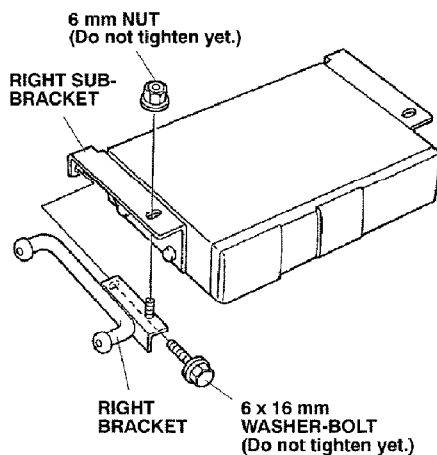
19. Attach the sub-brackets on the CD changer, and install the six 4 x 8 mm washer-screws.



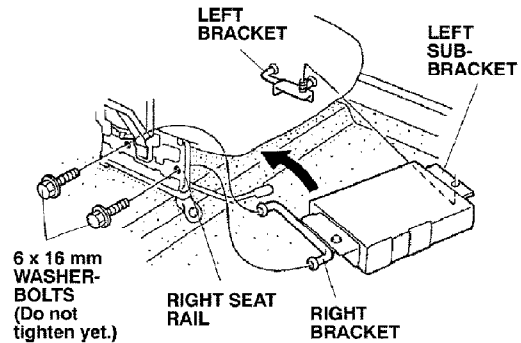
20. Install the left bracket on the inside of the left seat rail using the two 6 x 16 mm washer-bolts, but do not tighten them yet.



21. Attach the right bracket onto the right sub-bracket, and install one 6 x 16 mm washer-bolt and 6 mm nut. Do not tighten them yet.

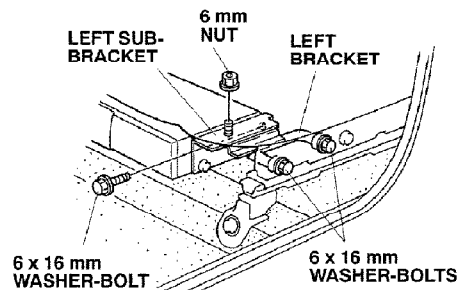


22. Position the CD changer under the driver's seat by inserting the right bracket first, then the left sub-bracket.



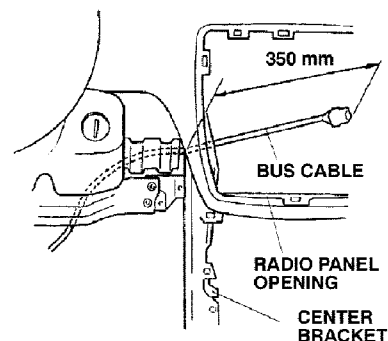
23. Insert the stud on the left bracket in the hole of the left sub-bracket. Align the holes in the right bracket with the holes in the right seat rail, and install the two 6 x 16 mm washer-bolts. Do not tighten the bolts yet.

24. Secure the left sub-bracket to the left bracket using one 6 mm nut and one 6 x 16 mm washer bolt. Tighten all six of the nuts and bolts on both the right and left sides.

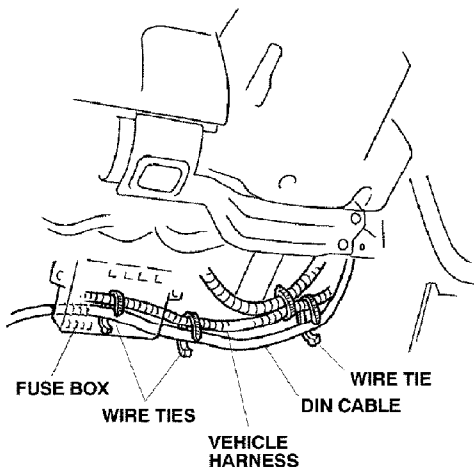


Routing the DIN Cable

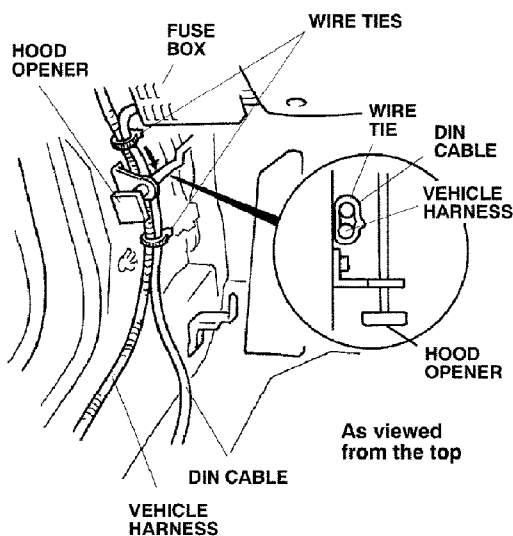
25. Route the straight terminal end of the DIN cable to the driver's side behind the dashboard until the distance from the L-terminal to the left edge of the center bracket is 350 mm.



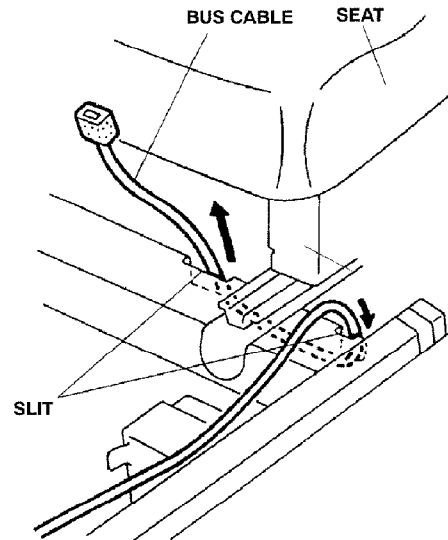
26. Route the DIN cable around the back of the fuse box alongside the vehicle harness, and secure the DIN cable to the vehicle harness with three wire ties.



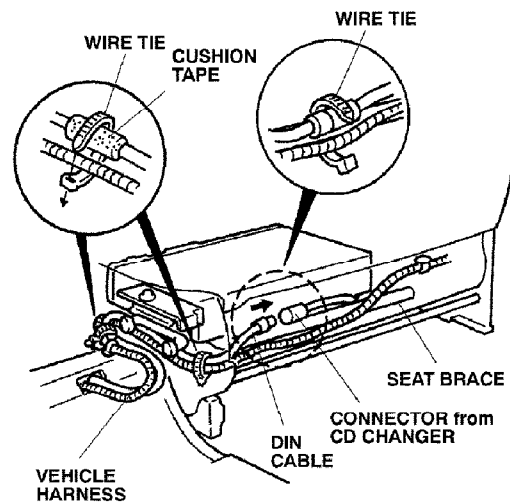
27. Continue routing the DIN cable behind the hood opener, and make sure that the DIN cable does not interfere with the hood opener. Secure the DIN cable to the vehicle harness with two wire ties.



28. Route the DIN cable under the carpet alongside the vehicle harness and out through the slit in the driver's side carpet.

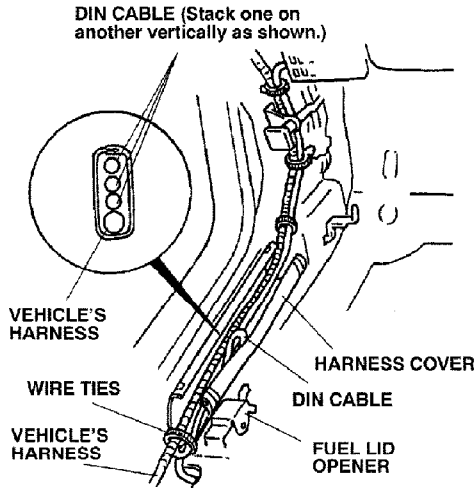


29. Plug the DIN cable connector into the DIN connector from the CD changer.

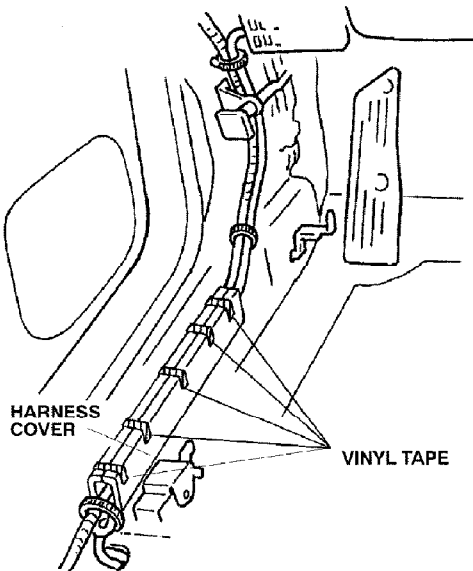


30. Route the DIN cable alongside the vehicle harness, and secure the connector from the CD changer and the vehicle harness to the seat brace with a wire tie. Cut the cushion tape in half, and wrap the cushion tape around the DIN cable; then secure the cable to the vehicle harness with two wire ties.

31. Open the harness cover by cutting its tapes, then place the DIN cables in the cover. Fold the cables and secure them to the vehicle harness with the wire tie in the area shown. Fold the DIN cable and secure it to the vehicle harness with three wire ties.

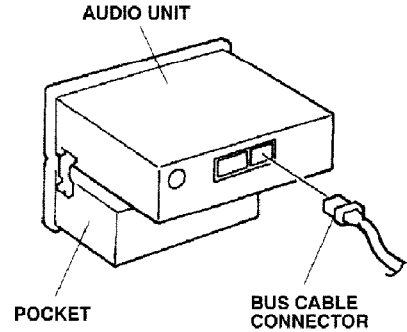


32. Close the harness cover and secure it with a vinyl tape at the five locations shown.

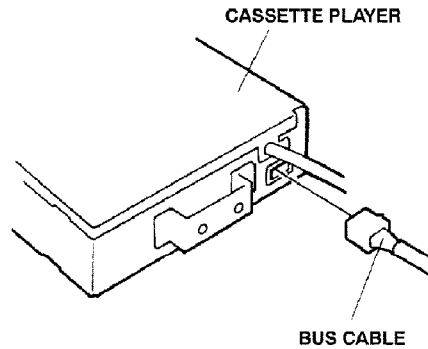


33. Plug in the BUS cable connector:

Without a cassette player



With a cassette player



34. Reinstall all removed parts.
35. Check that all wire harnesses are routed properly and all connectors are plugged in.
36. Reconnect the negative cable to the battery.
37. Enter the customer's radio anti-theft code, if applicable, and reset the radio station preset buttons.
38. Reset the clock.
39. Check operation of the CD Changer according to the Owner's Manual furnished with the unit.