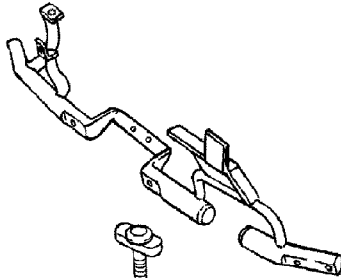


 <b>HONDA</b> <b>INSTALLATION</b> <b>INSTRUCTIONS</b>	Accessory	Application	Publications No.
	REAR SPORT TRIM P/N 08P02-S10-100F	2000 CR-V	All 20647
			Issue Date OCT 1999

## PARTS LIST

Rear pipe



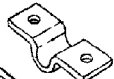
Bracket base



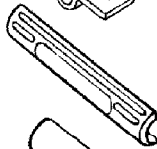
Sub-bracket



Bracket



Center trim



2 Corner caps



6 Screws, 5 x 50 mm



6 Washers, 5 mm



Square clip nut, 6 mm



3 Round clip nuts, 6 mm



6 Bolts, 6 x 16 mm



Nut, 6 mm



Washer, 6 mm



Lock washer



6 Clip nuts, 5 mm



## TOOLS REQUIRED

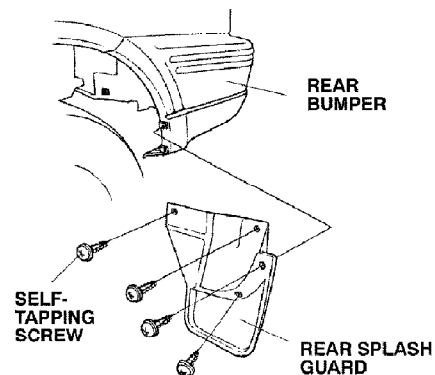
10 mm Socket

Ratchet

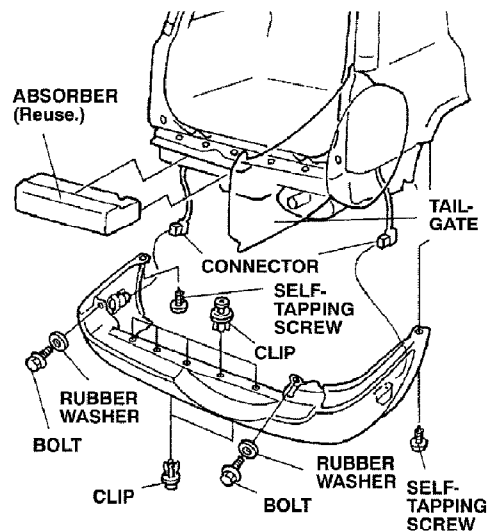
Phillips screwdriver

## INSTALLATION

1. Remove the rear splash guard (four self-tapping screws). Repeat on the other side.

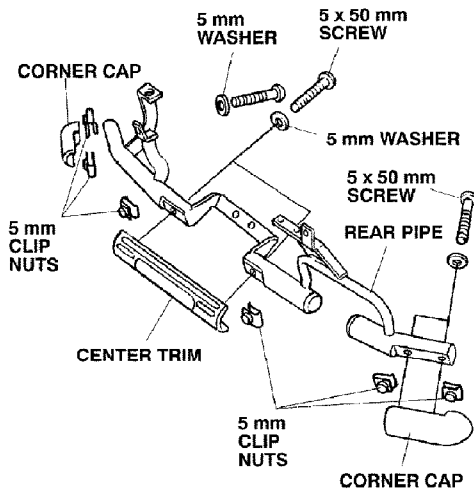


2. Remove the rear bumper:
  - Open the tailgate.
  - Remove the two self-tapping screws, two bolts, and seven clips.

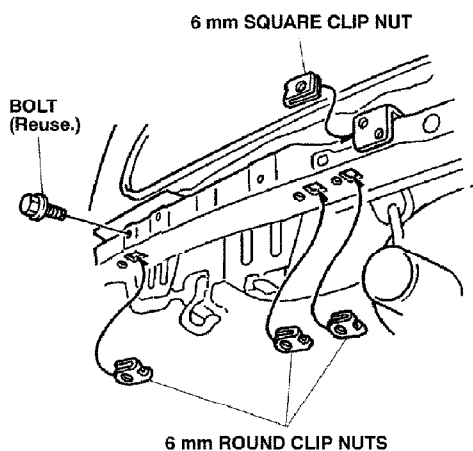


- Unplug the connectors from the side marker lamps, and remove the bumper by pulling it toward you.
- Remove the absorber.

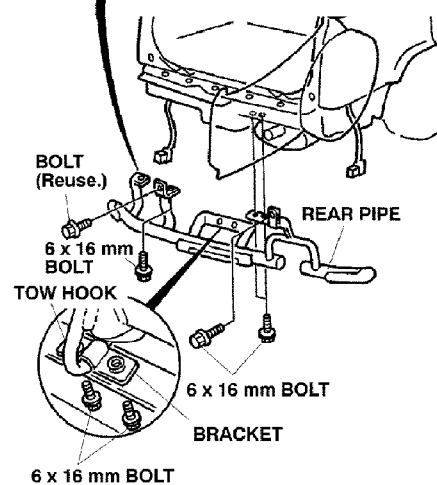
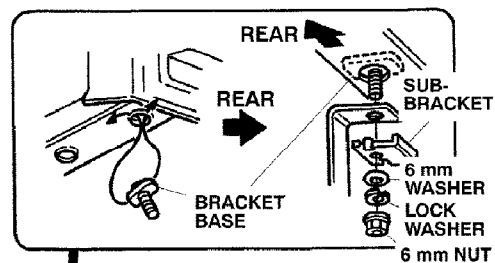
- Slide the two 5 mm clip nuts onto the center trim, then install the trim on the rear pipe using the two 5 x 50 mm screws and two 5 mm washers.



- Slide the two 5 mm clip nuts onto each corner cap and install the caps on the rear pipe using the two 5 x 50 mm screws and 5 mm washers.
- Remove and retain the bolt from the body.



- Slide a 6 mm square clip nut and three 6 mm round clip nuts onto the body through the square holes in the directions shown.
- From under the frame, set the bracket base in the hole in the frame. Loosely install the rear pipe on the base using the sub-bracket, 6 mm washer, lock washer, and 6 mm nut. Do not allow the bracket base to fall inside the body. Make sure the rear pipe brackets are between the wire harness and the body.



- Reinstall the bolt removed in step 5 and the four 6 x 16 mm bolts from the kit, but do not tighten them yet.
- Temporarily attach the rear pipe to the towing hook using the bracket and two 6 x 16 mm bolts.
- Tighten the three bottom 6 mm bolts and the 6 mm nut first, then tighten the two tow hook bracket bolts and the two remaining 6 mm bolts.
- Reinstall the absorber and the rear bumper.
- Reinstall the rear splash guards.