



INSTALLATION INSTRUCTIONS

Accessory
ALL-SEASON FRONT SEAT COVER
P/N 08P33-SCV-100

Application
ELEMENT (WITHOUT SIDE AIRBAG)

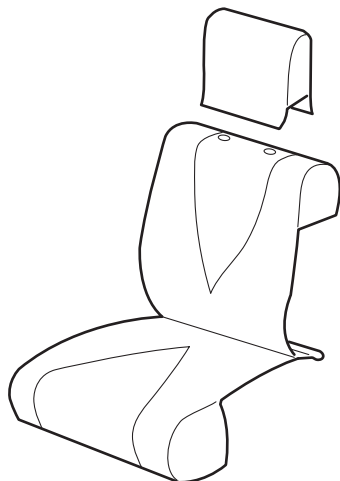
Publications No.
All 24297
Issue Date
DEC 2002

Keep this information in the glove box for future reference.

PARTS LIST

Headrest cover

Seat cover



INSTALLATION

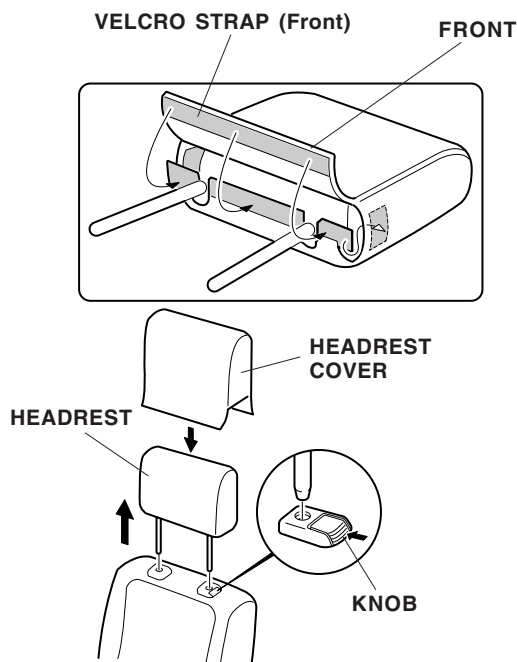
NOTE:

- Take care not to damage the seat when installing the neoprene seat cover.
- These instructions show the seat and headrest cover being installed on the left front seat. The same procedure applies to installing the seat and headrest cover on the right front seat.
- Never install the neoprene seat covers on seats equipped with side airbags. Failure to follow this precaution can reduce the effectiveness of the side airbag, resulting in serious injury or even death in the event of collision.

Installing the Headrest Cover

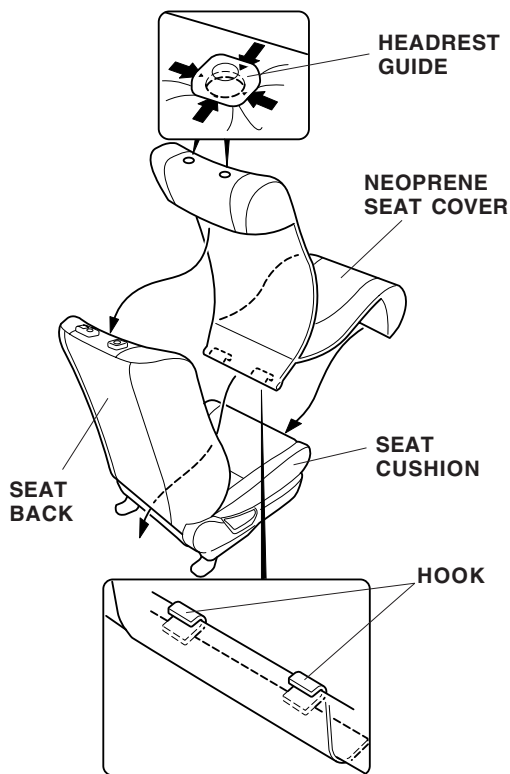
1. While pressing in on the knob, remove the headrest from the seat-back.
2. Fit the headrest cover over the headrest, then secure it with the Velcro strips shown.

NOTE: The notched flap goes to the rear of the head rest.



Installing the Front Seat Covers

1. Install the front seat cover over the seat, fitting the corners of the seat cover around the seat. Smooth out any wrinkles.
2. Pull the bottom flap of the seat cover between the seat back and seat cushion, then attach the two hooks to the bottom edge of the seat cushion.
3. Tuck the edges of the seat cover into the headrest guides as shown.
4. Reinstall the headrest.



USE AND CARE

NOTE: Do not wash the seat cover in a washing machine. Rinse with clean water and let the seat cover air-dry before you reinstall it.