



# INSTALLATION INSTRUCTIONS

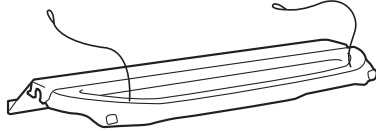
Accessory  
**CARGO COVER**  
P/N 08U35-TK6-110

Application  
**2009 FIT**

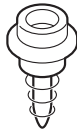
Publications No.  
**All 39855**  
Issue Date  
**AUG 2008**

## PARTS LIST

Cargo Cover



5 Snaps



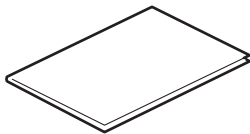
5 Covers



2 Clips



Accessory User's Information Manual



## TOOLS AND SUPPLIES REQUIRED

Tape measure

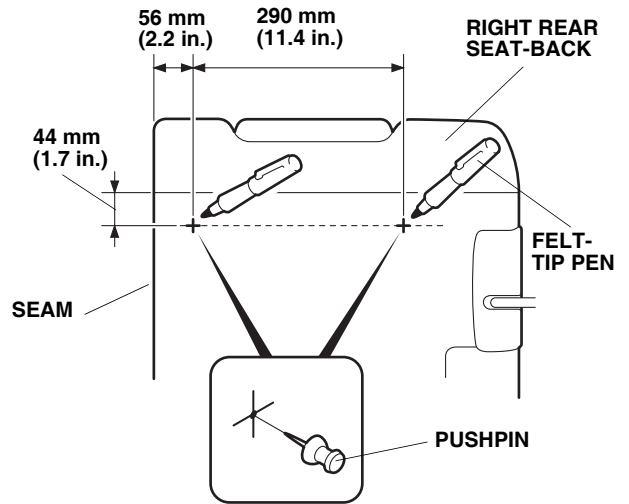
Phillips screwdriver

Pushpin

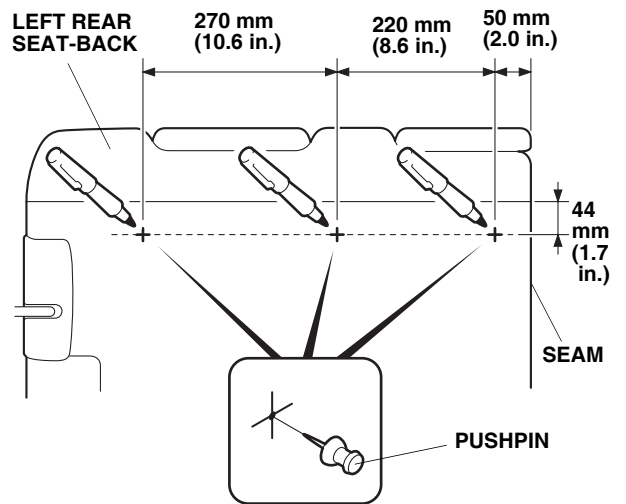
Felt-tip pen

## INSTALLATION

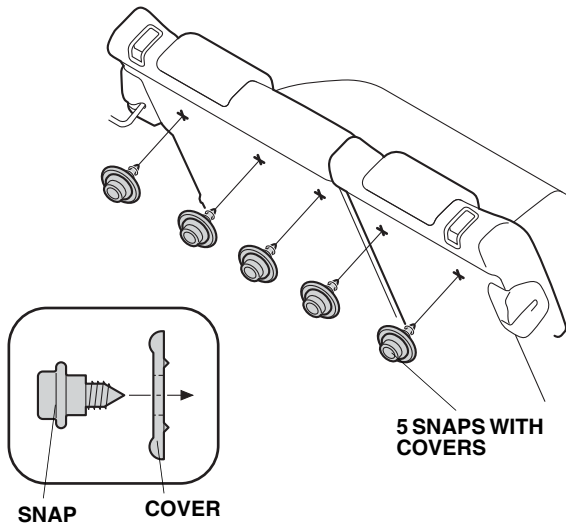
1. Measure and mark the right rear seat-back at the two locations shown. Use your finger to confirm the location of each hole.



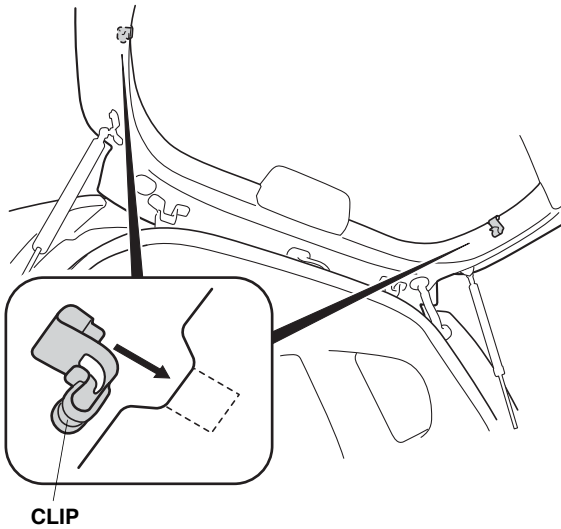
2. Using a pushpin, pierce the material and confirm each hole location.
3. Measure and mark the left seat-back using the above procedures.



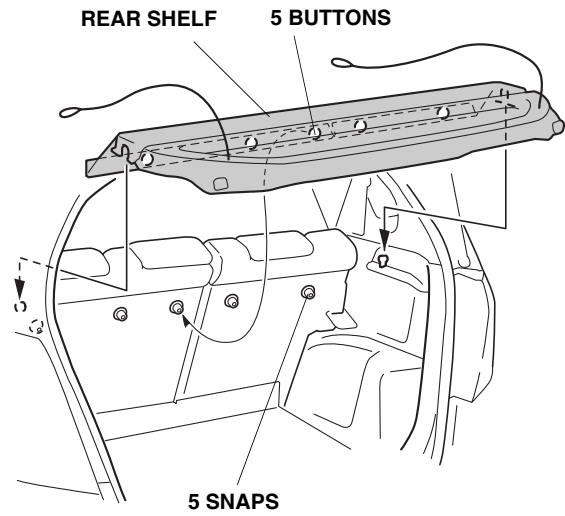
4. Insert the snaps through the covers and install the snaps at the pierced marks. Be careful not to over-tighten the screws.



5. Install one clip to the inside of the tailgate frame on each side of the tailgate.



6. Place the rear shelf in the cargo area, and snap the five buttons on the rear shelf to the five snaps on the seat-back.



7. Hook the cord on each side of the rear shelf to each clip installed on the tailgate.

