



INSTALLATION INSTRUCTIONS

Accessory

**ALL SEASONS/CARPET
FLOOR MATS**

Application

FIT

Publications No.

All 31708

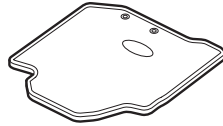
Issue Date

MAR 2006

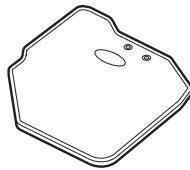
PARTS LIST

Floor Mats

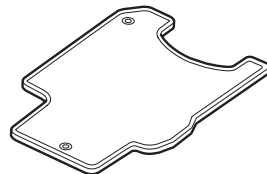
Left front floor mat



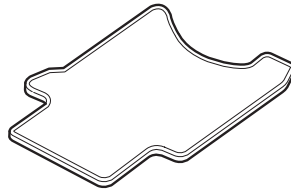
Right front floor mat



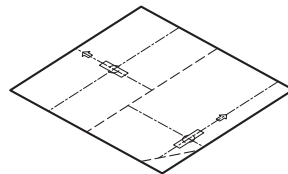
Right rear floor mat



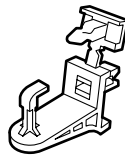
Left rear floor mat



Template



4 Front holders



2 Rear hook holders



2 Rear base holders



TOOL REQUIRED

Utility knife

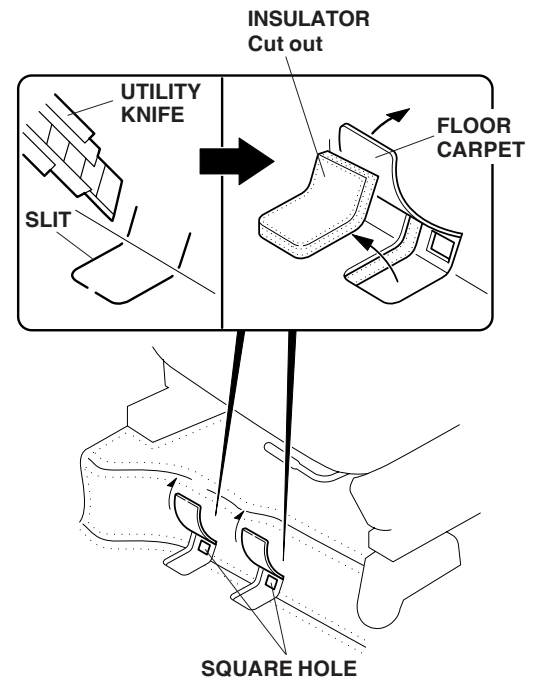
Masking tape

INSTALLATION

NOTE: Before installation, confirm the installation locations of the floor carpet mats.

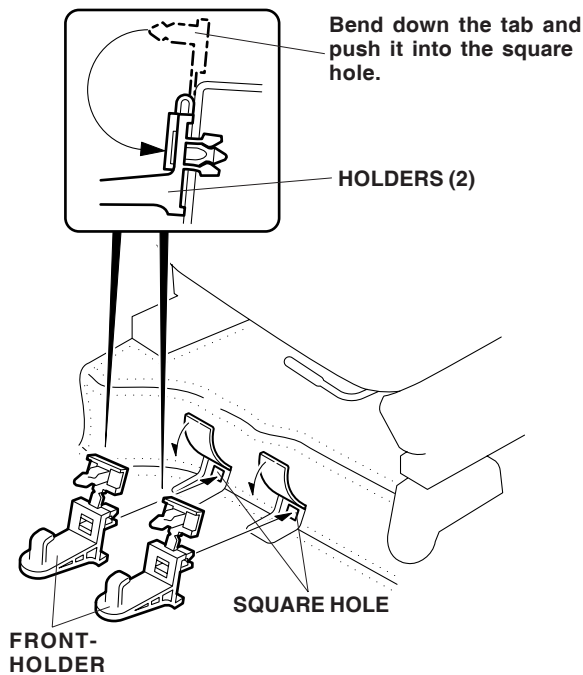
Installing the Front Holders

1. Slide the driver's seat completely to the rear.



2. Make cuts with a utility knife at the slits in the floor carpet at the two locations shown.
3. Cut out the insulator matching the previously cut hole.

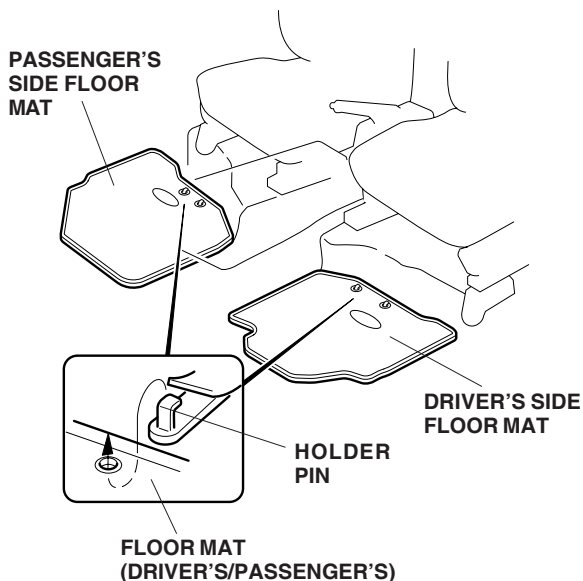
- Insert the two front holders into the square holes in the frame, bend the tab on the upper part of the holder down, and push it into the square hole in the holder to complete the installation. Place the cut floor carpet onto the holder.



- Install the passenger's holders the same way.

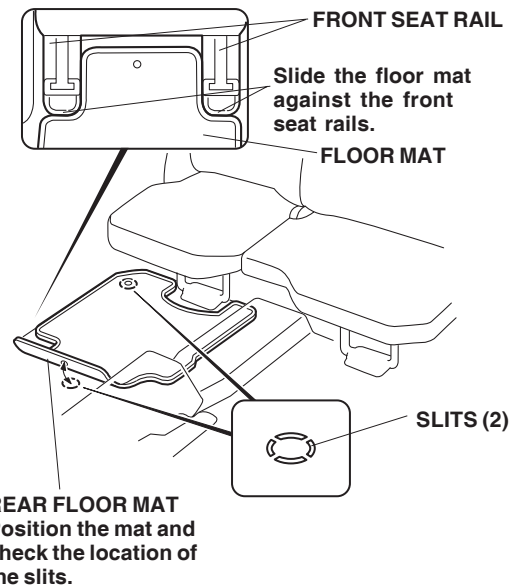
Installing the Front Floor Mats

- Match the two holes in the driver's side mat and passenger's side mat with the pins on the holders and install the floor mat on the driver's side and passenger's side.

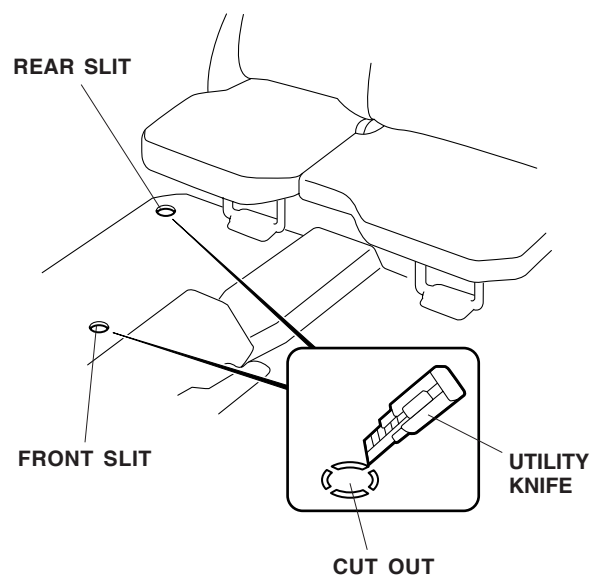


Installing the Rear Holders

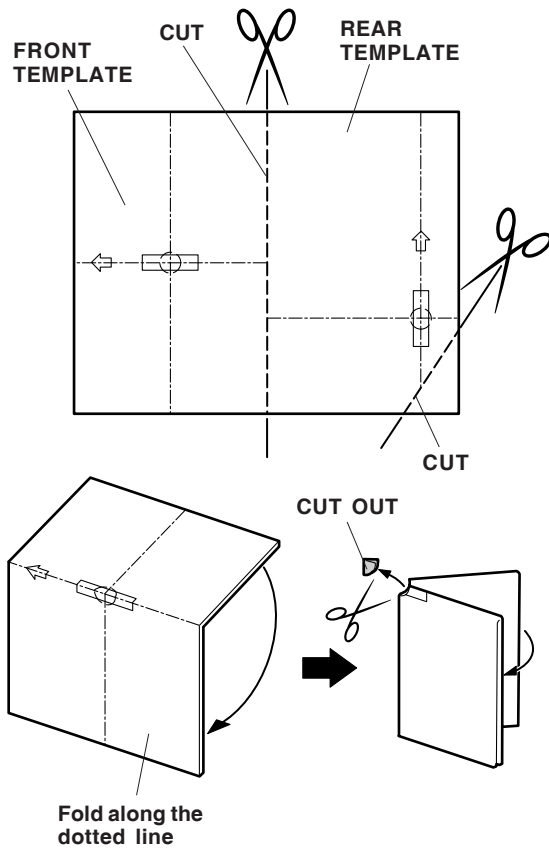
- Slide the front passenger's seat completely forward.



- Using the right rear mat as a guide locate the slits in the floor carpet, then remove the floor mat.
- Using a utility knife, cut out the two slits in the floor carpet on the passenger side and remove the cut pieces of carpet.

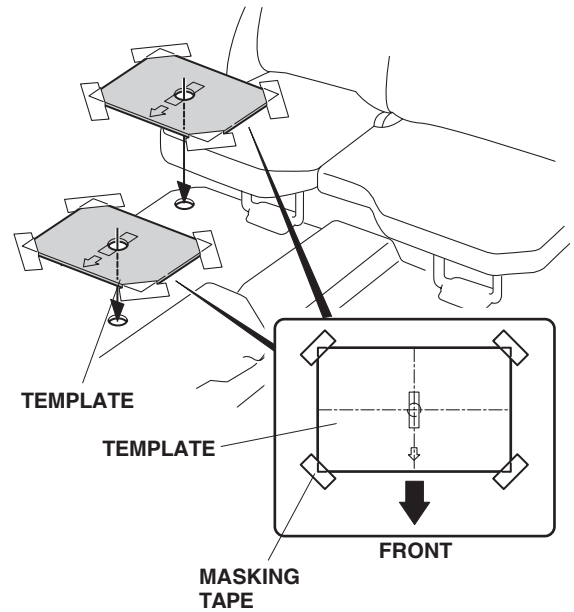


- Using scissors, cut the dashed lines to separate the two templates and trim one corner of the rear template.

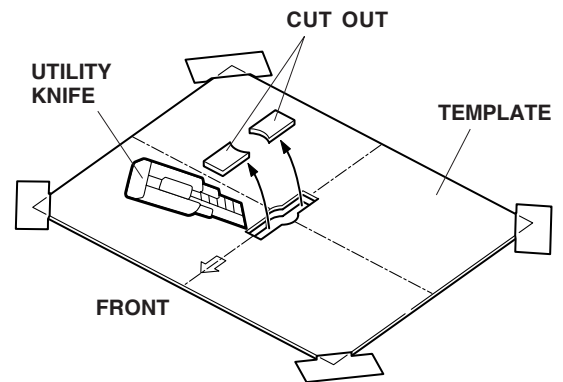


- Fold each template along the dotted lines. Using scissors, cut the dashed lines to remove the circle from each of the templates.

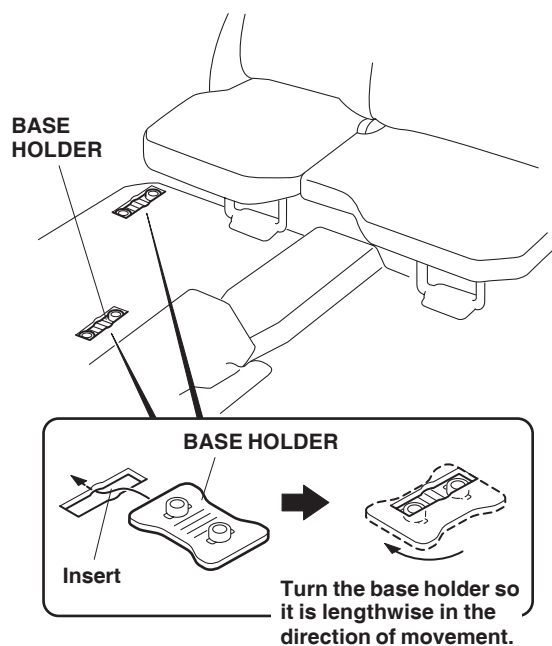
- With the arrows on the template facing forward, position the front and rear templates over the round cut-outs you made in step 9.



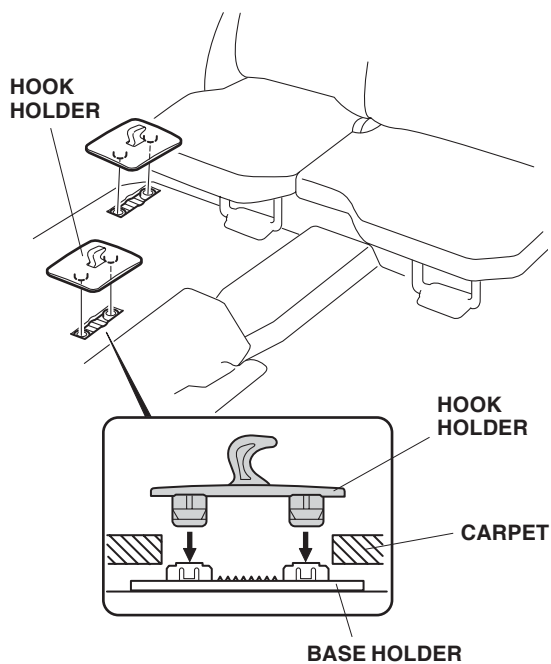
- Attach each of the templates to the floor carpet with four pieces of masking tape.
- Using a utility knife, cut out and remove the remaining rectangular area of the carpet as indicated on each of the templates. Be careful not to cut the carpet past the marked area.



15. Insert the base holders through the cut outs in the floor carpet and rotate them into position.



16. Place one hook holder over each base holder with the arrow on the hook holder facing forward. Push down to snap the hook holders and base holders together, making sure they are completely joined.



Installing the Rear Mats

17. Match the two holes in the right rear mat with pins on the holders. Install the right rear and left rear floor mat as shown.

