

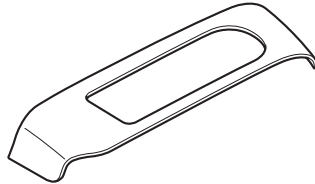


INSTALLATION INSTRUCTIONS

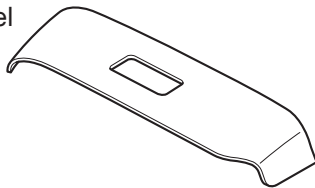
Accessory	Application	Publications No.
DOOR SWITCH PANEL KIT METER VISOR PANEL KIT	2007 FIT	All 31602
		Issue Date MAR 2006

PARTS LIST

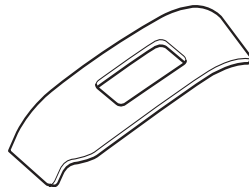
Left front door switch panel



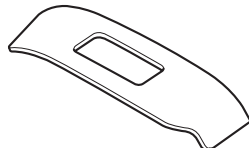
Right front door switch panel



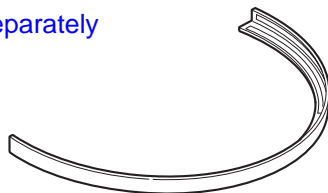
Left rear door switch panel



Right rear door switch panel



Meter visor panel **Sold Separately**



SUPPLIES REQUIRED

Isopropyl alcohol

Shop towel

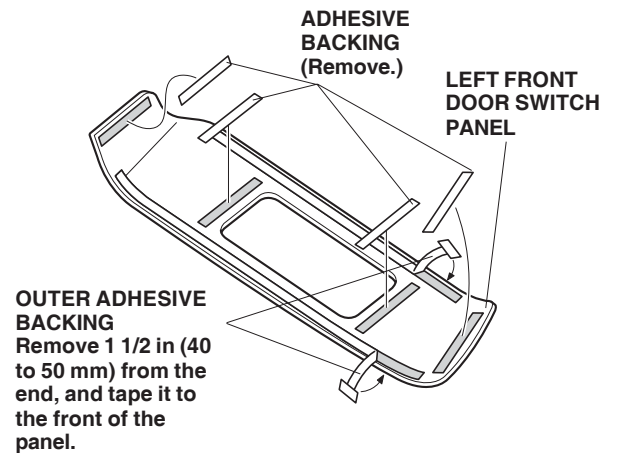
Masking tape

INSTALLATION

NOTE: This interior panel kit should be installed only if the outside air temperature is 60°F (15°C) or above.

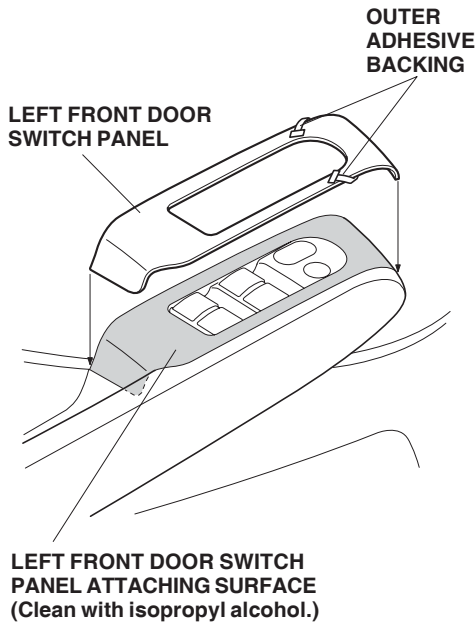
Installing the Front Door Switch Panels

1. Using isopropyl alcohol, thoroughly clean the area where the left front door switch panel will attach.



2. Remove and discard the inner adhesive backings and the small pieces of outer adhesive backings. Attach a strip of masking tape to the end of each remaining outer adhesive backing, and remove 1 1/2 in (40 to 50 mm) of the adhesive backing. Fold the ends back, and tape them to the front of the panel.

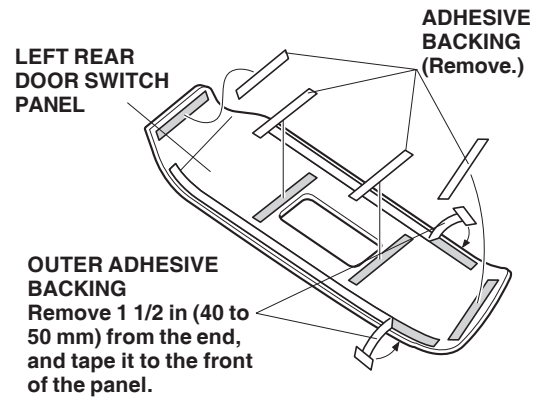
- Position the panel on the existing panel. While applying light pressure on the panel, carefully remove the adhesive backings.



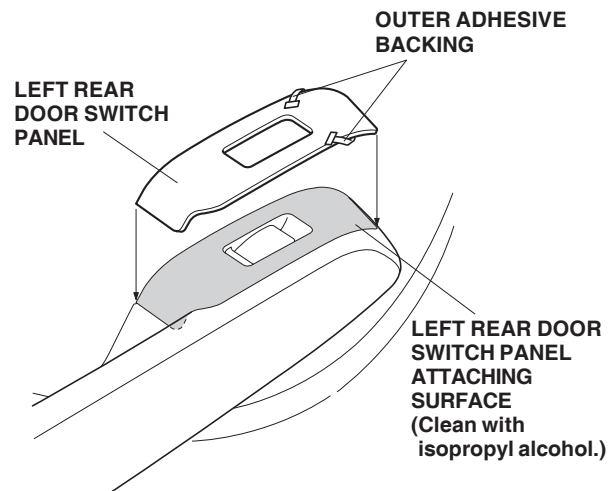
- After installing the panel, use the palm of your hand to hold pressure against it for 30 seconds.
- Repeat steps 1 through 4 to install the right front door switch panel.

Installing the Rear Door Switch Panels

- Using isopropyl alcohol, thoroughly clean the area where the left rear door switch panel will attach.



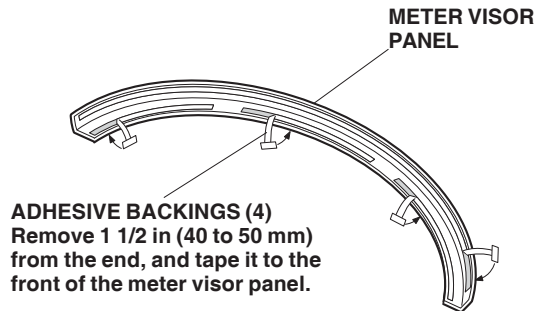
- Remove and discard the inner adhesive backings and the small pieces of outer adhesive backings. Attach a strip of masking tape to the end of each remaining outer adhesive backing, and remove 1 1/2 in (40 to 50 mm) of the adhesive backing. Fold the ends back, and tape them to the front of the panel.
- Position the panel on the existing panel. While applying light pressure on the panel, carefully remove the adhesive backings.



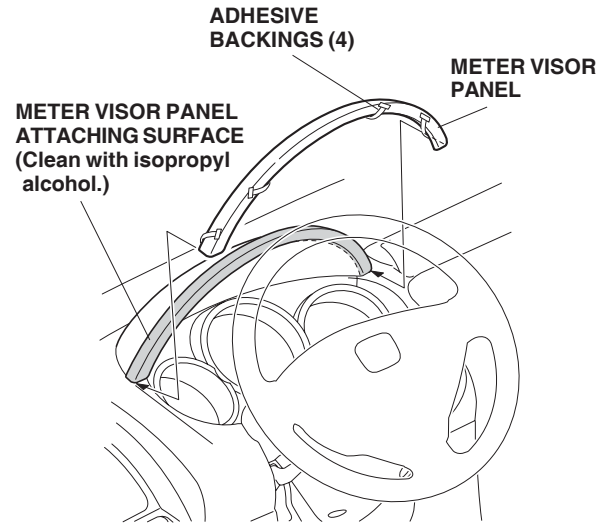
- After installing the panel, use the palm of your hand to hold pressure against it for 30 seconds.
- Repeat steps 6 through 9 to install the right rear door switch panel.

Installing the Meter Visor Panel

- Using isopropyl alcohol, thoroughly clean the area where the meter visor panel will attach.



- Attach a strip of masking tape to the end of each adhesive backing, and remove 1 1/2 in (40 to 50 mm) of the adhesive backing. Fold the ends back, and tape them to the surface of the panel.
- Position the panel on the existing panel. While applying light pressure on the panel, carefully remove the adhesive backings.



- After installing the panel, use the palm of your hand to hold pressure against it for 30 seconds.

USE AND CARE

Use a sponge or soft cloth dampened with liquid dishwashing soap and water solution. After cleaning, wipe with a clean, soft cloth. Do not use cleaners or polishers containing compounds to clean the interior panel pieces as they may damage the surface.