



INSTALLATION INSTRUCTIONS

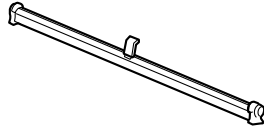
Accessory
3RD ROW SUNSHADE
 P/N 08R12-SHJ-100

Application
ODYSSEY

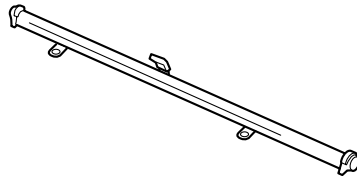
Publications No.
All 27366
 Issue Date
SEP 2004

PARTS LIST

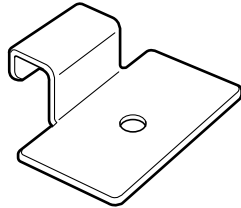
Left side rear sunshade



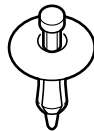
Right side rear sunshade



4 Brackets



4 Rivets

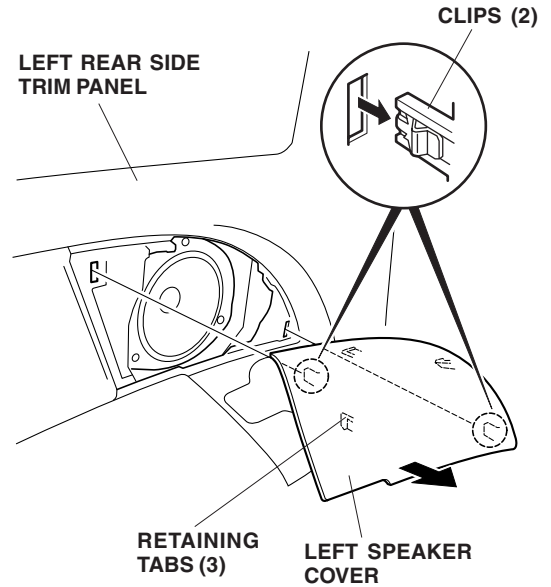


TOOLS AND SUPPLIES REQUIRED

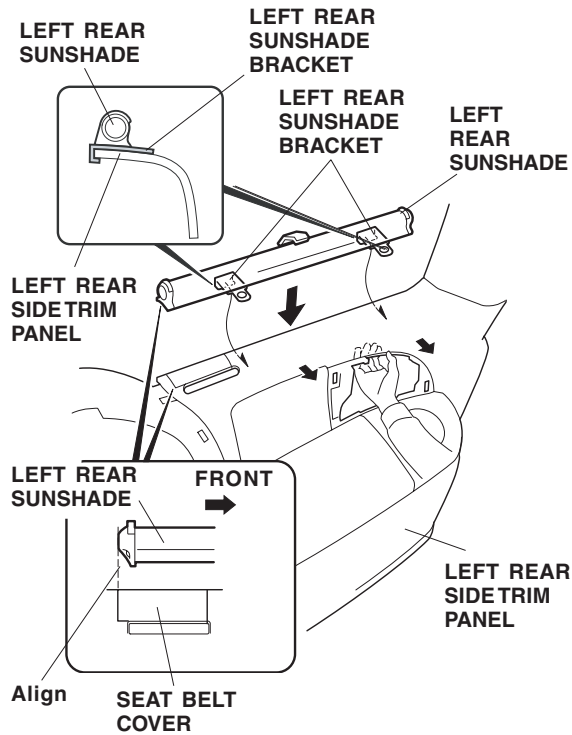
- Felt-tip pen
- Center punch
- Drill
- 7 mm Drill bit
- Isopropyl alcohol
- 6 inch Scale
- Hammer

Driver's Side

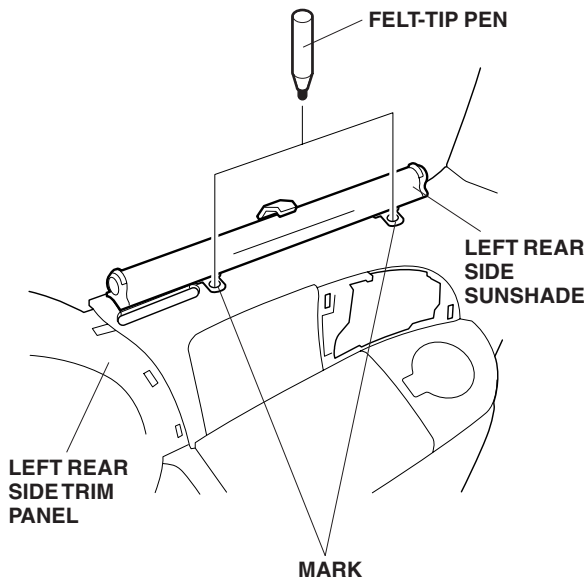
1. Remove the left speaker cover (two clips and three retaining tabs).



- Gently pull out on the side trim panel to release the panel clips around the glass. Fit the two brackets from the left rear sunshade over the edge of the left rear side trim panel. Align the rear edge of the sunshade just past the edge of the seat belt cover.

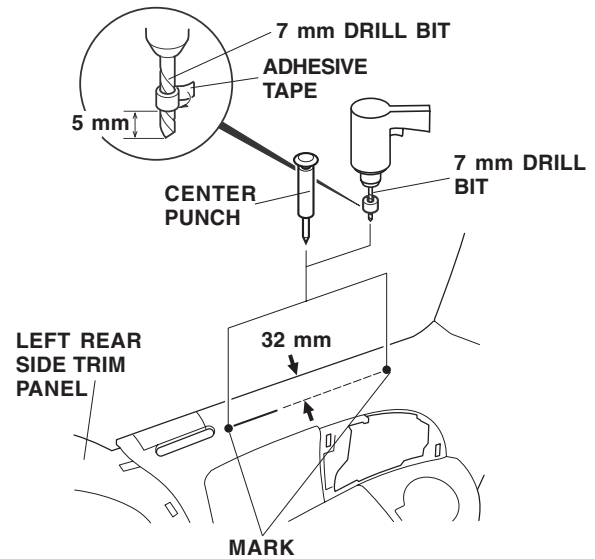


- Using a felt-tip pen, mark the left rear side trim through the center of each bracket hole. Remove the rear sunshade.

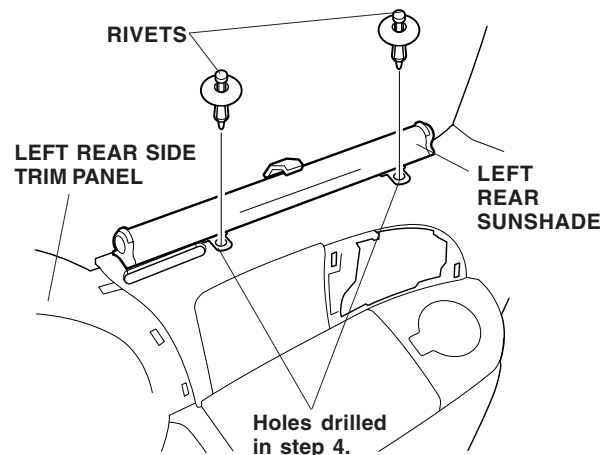


- Center punch the marks you made in the left rear side trim panel and drill each mark with a 7 mm drill bit:

- Using adhesive tape, wrap the end of the drill bit 5 mm from the tip.
- While wearing eye protection, drill a 7 mm hole through each center-punched mark.
- Remove any burrs from the drilled holes.

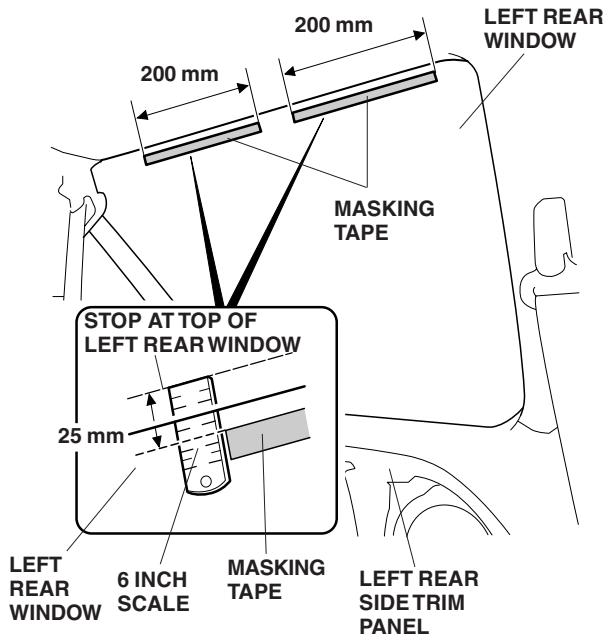


- Reinstall the left rear sunshade on the left rear side trim panel, and align the brackets from the left rear sunshade with the holes you drilled.

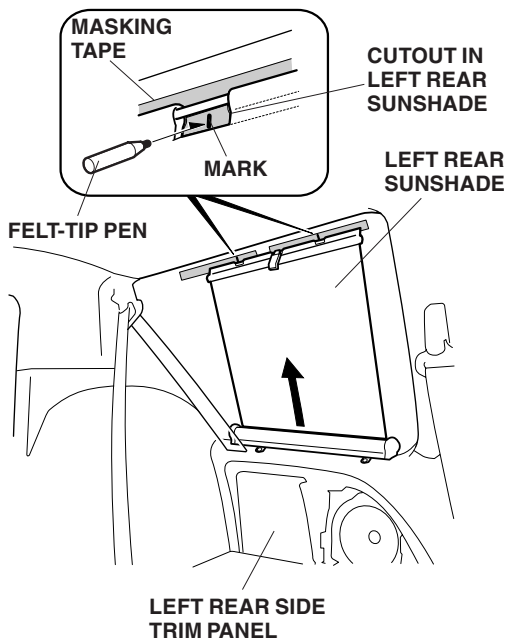


- Secure the two brackets from the left rear sunshade to the left rear side trim panel with the two rivets. Reinstall the left rear side trim panel.

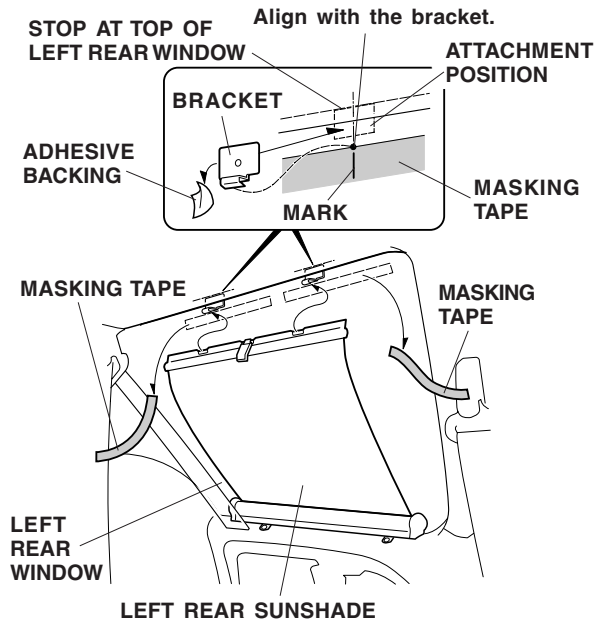
7. Insert a 6 inch scale against the top of the rear window between the glass and the headliner until the scale contacts the top of the glass. Measure 25 mm down from the top of the glass, and attach strips of masking tape to the window in the areas shown.



8. Pull up the left rear sunshade. Align the two cutouts in the left rear sunshade with the two strips of masking tape attached to the rear window. Using a felt-tip pen, mark the top of the masking tape at each side of cutout in the rear sunshade. Roll down the left rear sunshade.

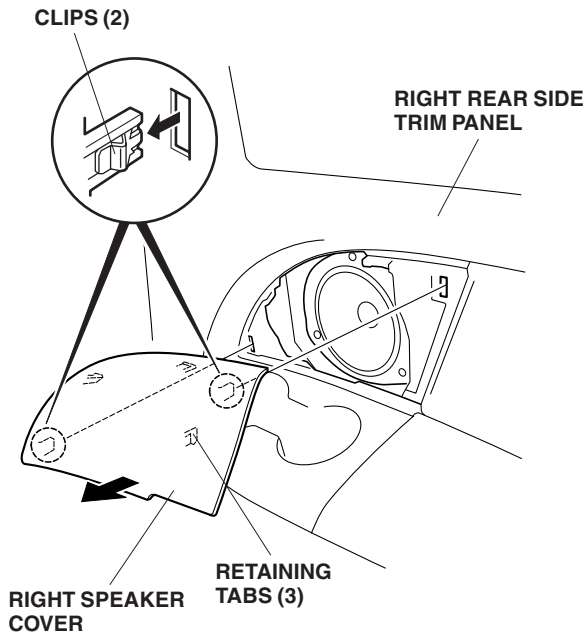


9. Using isopropyl alcohol on a shop towel, clean the left rear window above the marks you made on the masking tape.

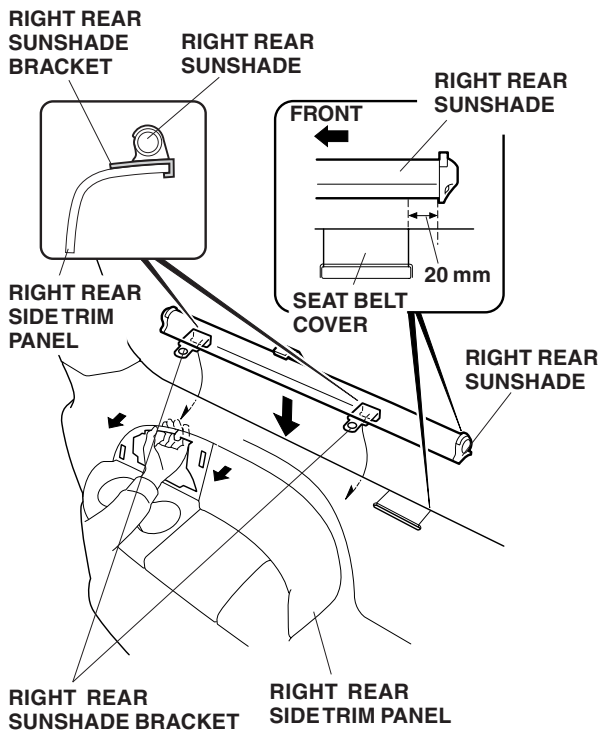


10. Remove the adhesive backing from one of the brackets and attach the bracket to the top of the right rear window between the marks on the masking tape. Install the other bracket the same way. Remove the masking tape from the window.
11. Pull up the sunshade and hook the sunshade to the brackets.
12. Snap the rear trim panel back into place.

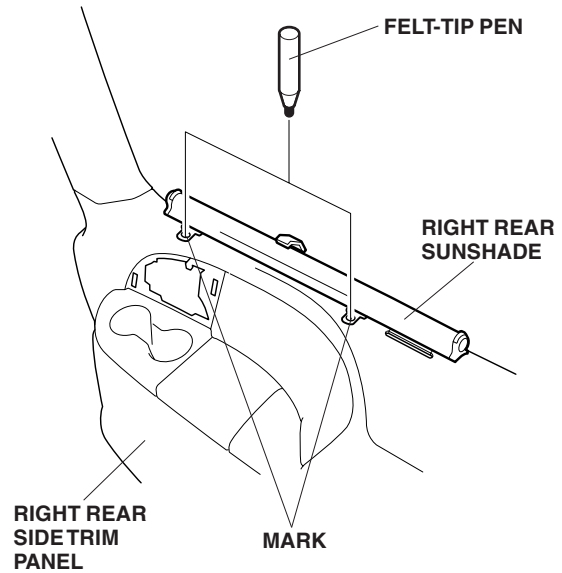
13. Remove the right rear speaker cover (two clips, and three retaining tabs).



14. Gently pull out on the side trim panel to release the panel clips from the edge of the right side trim panel. Fit the two brackets from the right rear sunshade over the edge of the rear side trim panel. Align the rear edge of the sunshade 20 mm from the rear edge of the seat belt cover.

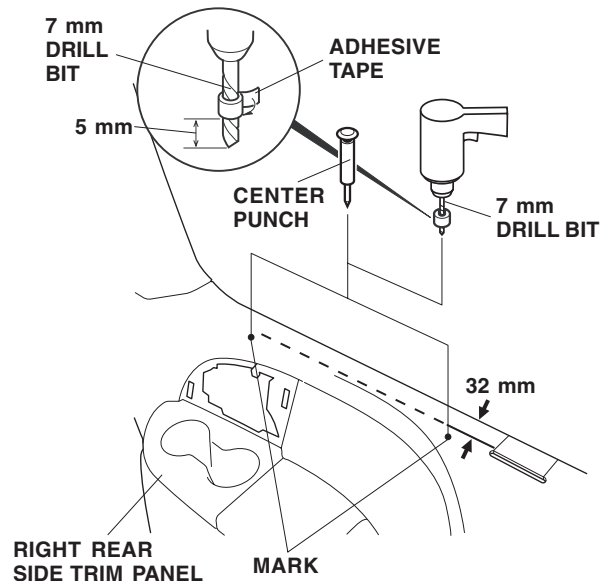


15. Using a felt-tip pen, mark the right rear side trim through the center of each bracket hole. Remove the rear sunshade.

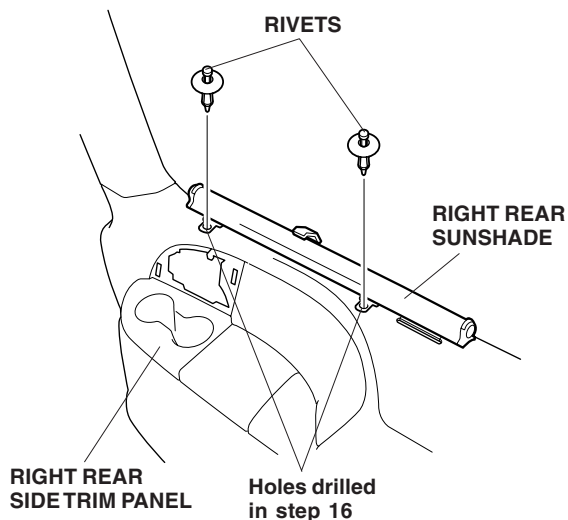


16. Check that the marks are 32 mm away from the edge of the right side trim panel. Center punch the marks you made in the right rear side trim panel and drill each mark with a 7 mm drill bit:

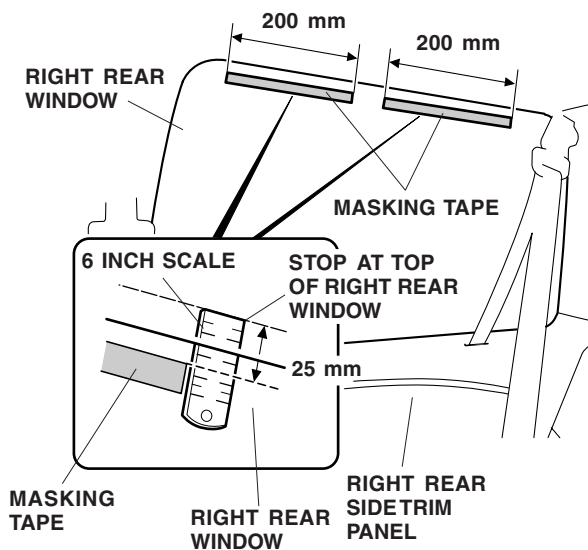
- Using adhesive tape, wrap the end of the drill bit 5 mm from the tip.
- While wearing eye protection, drill a 7 mm hole through each center-punched mark.
- Remove any burrs from the drilled holes.



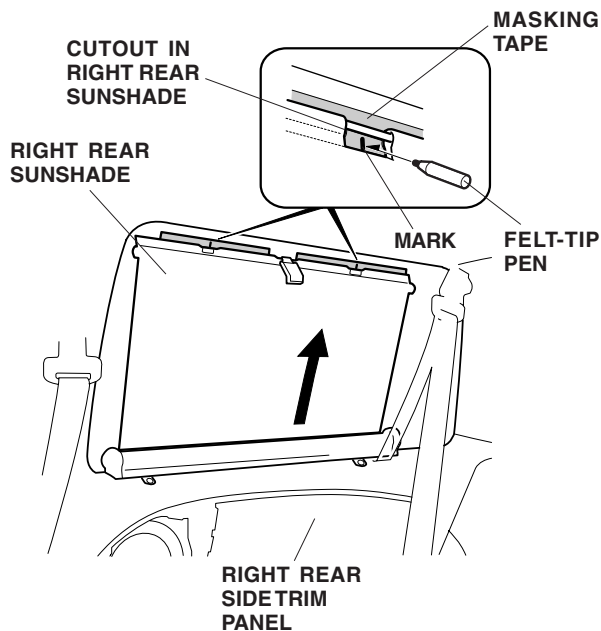
- Reattach the rear sunshade on the side trim panel, and align the brackets over the drilled holes in the trim panel.



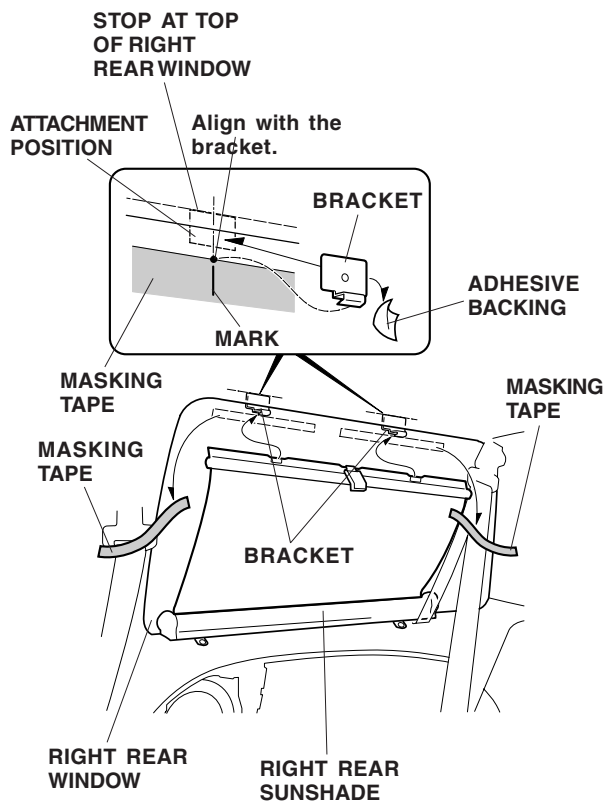
- Secure the rear sunshade to the rear trim panel using two rivets from the kit, then snap the rear trim panel back into place.
- Insert a 6 inch scale against the top of the rear window between the glass and the headliner until the scale contacts the top of the glass. Measure 25 mm down from the top of the glass, and attach strip of masking tape to the window in the areas shown.



- Pull up the rear sunshade until the cutouts in the sunshade reach the masking tape. Using a felt-tip pen, mark the top of the masking tape at each side of each cutout. Roll down the rear sunshade.



- Using isopropyl alcohol on a shop towel, clean the right rear window above the marks you made on the masking tape.



22. Remove the adhesive backing from one of the brackets and attach the bracket to the top of the right rear window between the marks on the masking tape. Install the other bracket the same way. Remove the masking tape from the window.
23. Pull up the sunshade and hook the sunshade to the brackets.