



INSTALLATION INSTRUCTIONS

Accessory

CARGO NET
P/N 08L96-SX0-100

Application

ODYSSEY

Publications No.

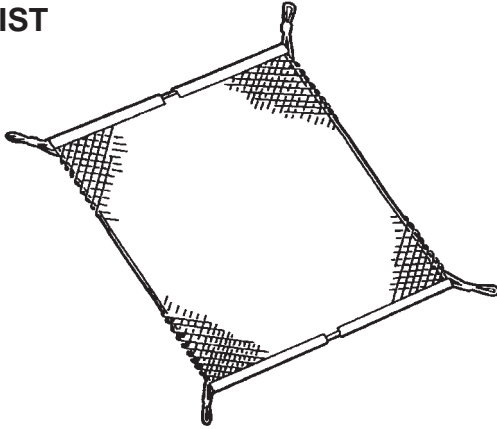
All 19304

Issue Date

NOV 1997

PARTS LIST

Cargo net



2 A Hooks



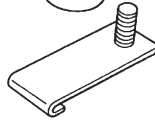
2 B Hooks



2 C Hooks



2 Brackets



2 Studs



2 Washers



2 Collapsible collars



2 Screws



2 Spring nuts



2 Steel clips



TOOLS AND SUPPLIES REQUIRED

Utility knife

Eye protection (face shield, safety goggles, etc.)

Drill

8 mm Drill bit

17 mm Hole saw

Felt-tip pen

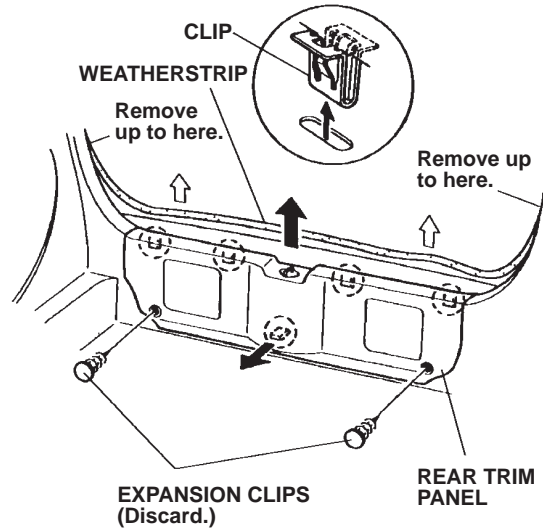
Pushpin

INSTALLATION

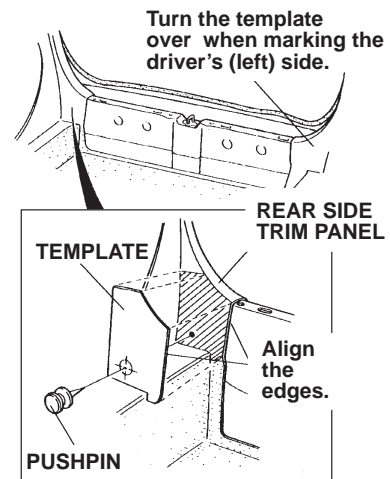
NOTE:

Be especially careful not to damage the tailgate, the trim, and other finished surfaces of the body.

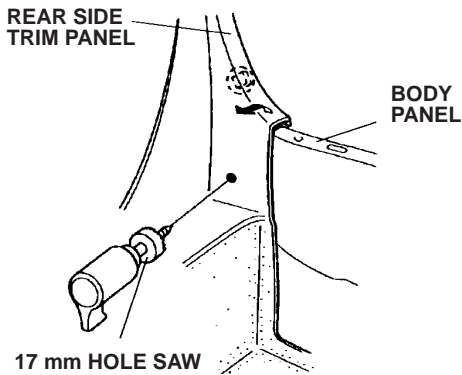
1. With the tailgate open, remove the weatherstrip from the tailgate opening in the area shown.



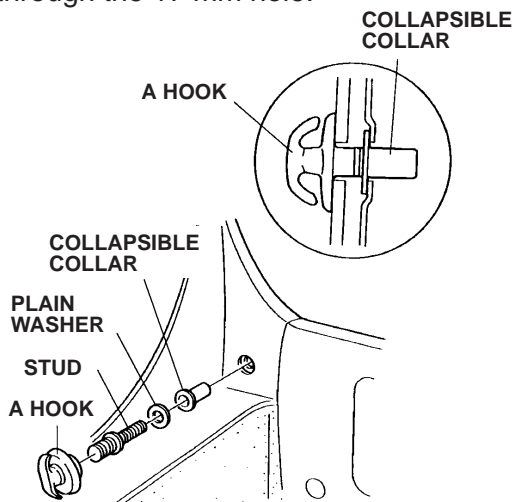
2. Remove and discard the two expansion clips on the rear trim panel, then lift up and remove the rear trim panel.
3. Make a copy of the template (see page 4), and place it on the passenger's (right) rear side trim panel in the area shown. Using a pushpin, mark the panel at the center of the circle on the template.



4. While wearing eye protection, drill a 17 mm hole through the mark you just made on the right rear trim panel. The drill pilot should mate with the hole in the body.

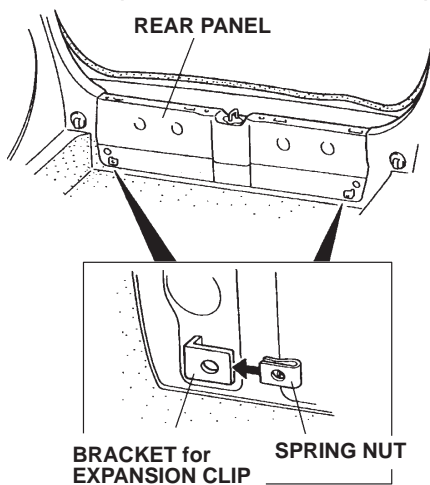


5. Install a collapsible collar, a stud, and an A hook through the 17 mm hole.

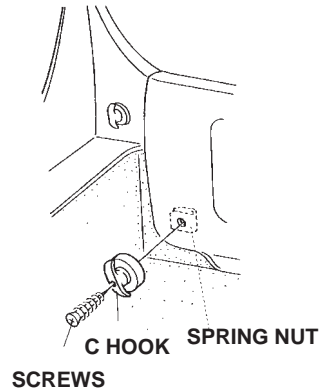


6. Turn over the template, and repeat steps 3 through 6 on the left (passenger's) side of the vehicle.

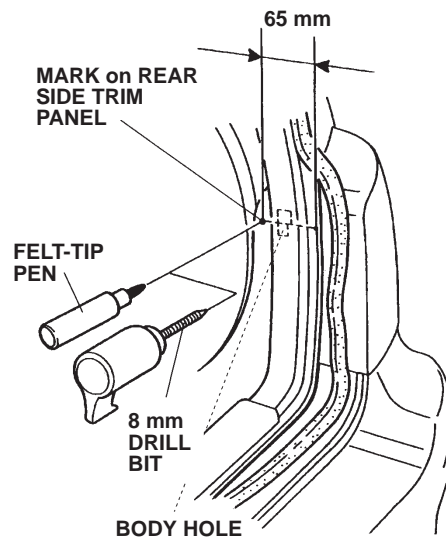
7. Slide the spring nuts over the brackets where the expansion clips were removed in step 2.



8. Reinstall the rear trim panel on the rear body panel. Do not install the expansion clips.
9. Install a C hook with a screw into the spring nut. Repeat on the other side of the vehicle.

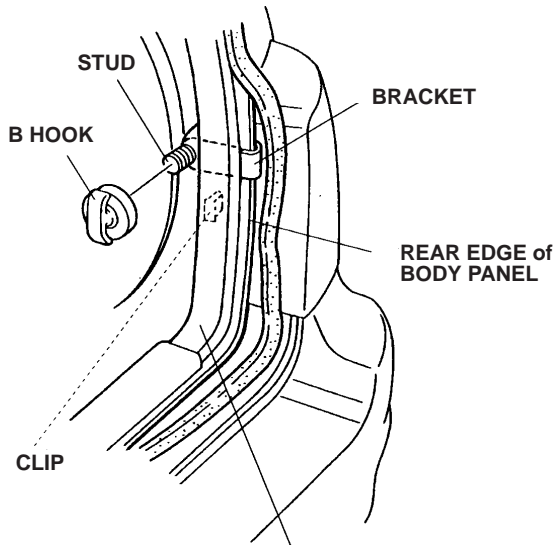


10. Lift the rear side trim panel up and away from the body panel, then locate the body hole concealed under the panel.



11. From the rear edge of the steel body panel, *not* the plastic side trim panel, measure 65 mm forward along the center of the body hole, and mark the side trim panel at the measurement.
12. While wearing eye protection, drill an 8 mm hole through the side trim panel at the mark, being careful not to damage the body panel.
13. Repeat steps 10 through 12 on the other side of the vehicle.

- Release the clip fastening the rear side trim panel, and pull the trim panel away from the body panel.



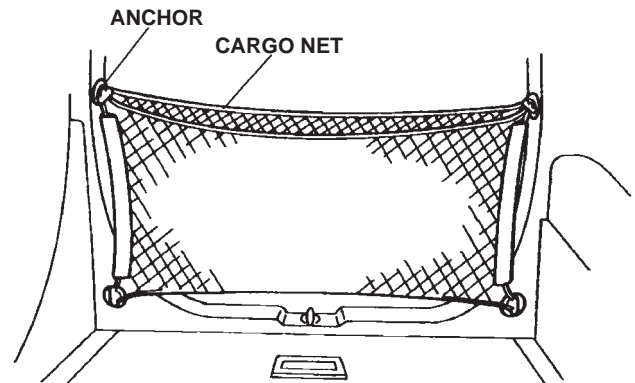
REAR SIDE TRIM PANEL

- Insert a stud on a bracket into the 8 mm hole you just drilled, with the curved end of the bracket placed over the rear edge of the body panel.
- Install a B hook onto the stud.
- Repeat steps 14 through 16 on the other side of the vehicle.
- Reinstall the weatherstrip onto the tailgate opening.
- Put these instructions in the glove box for your customer.

HOW TO USE THE CARGO NET

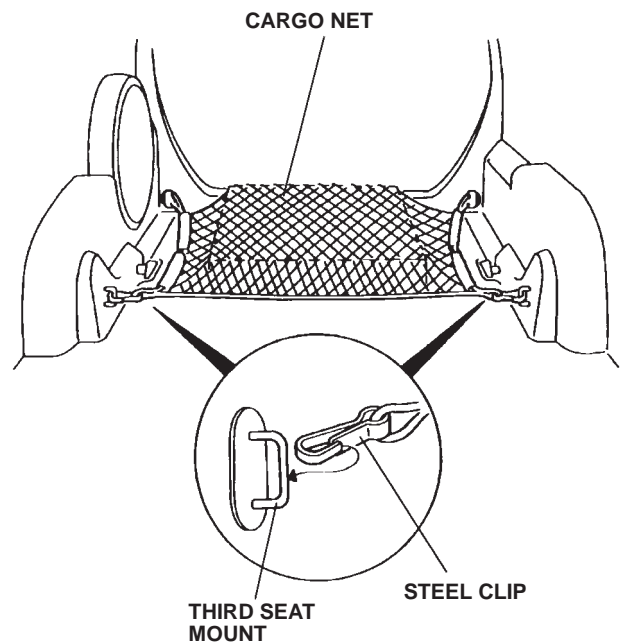
To Store Small Articles

- Fold the net in two.

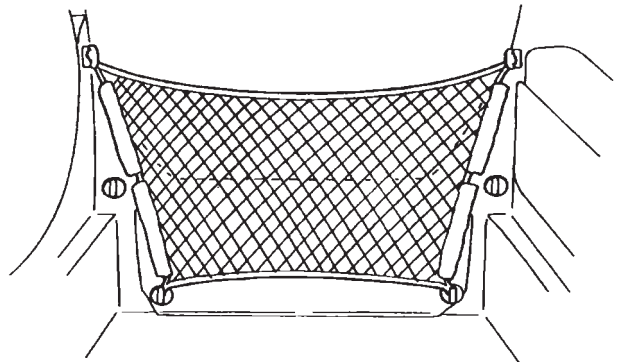


To Store Large or Bulky Articles

When the third seat is down:



When the third seat is up:



Template (Used in step 3)

