



# INSTALLATION INSTRUCTIONS

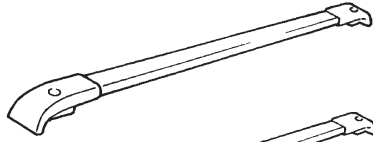
Accessory  
**ROOF RACK CROSS BAR (EX)**  
 P/N 08L04-S0X-101F

Application  
**ODYSSEY**

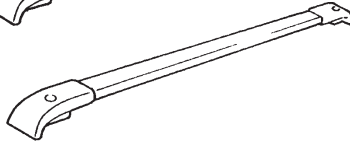
Publications No.  
**All 26025**  
 Issue Date  
**AUG 2003**

## PARTS LIST

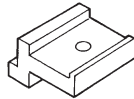
Front cross bar (longer)



Rear cross bar (shorter)



4 Holders



4 Special bolts



4 Washers



4 Lock washers



## TOOLS REQUIRED

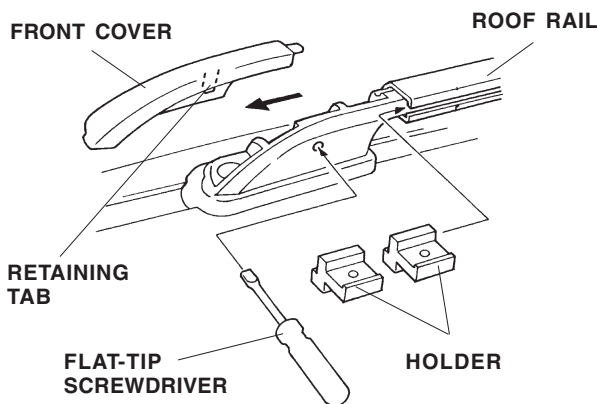
Small flat-tip screwdriver

T-30 Torx screwdriver

## INSTALLATION

### NOTE:

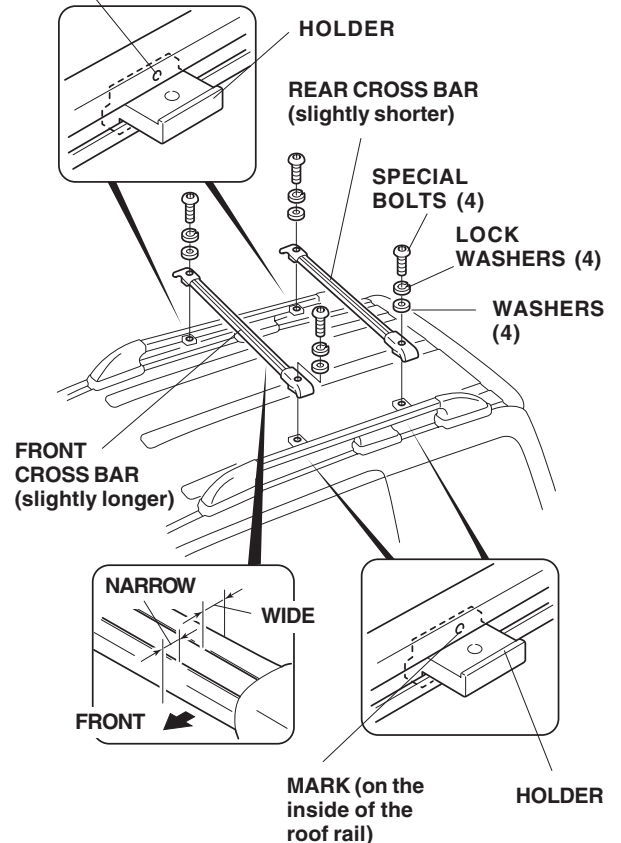
- Wipe the roof rails clean before installing the cross bars.
  - Be careful not to damage the body paint.
1. Insert a small flat-tip screwdriver into the hole on the inside of the roof rail base and release the retaining tab, then remove the front cover.



2. Insert two holders in the groove of the roof rail.

3. Repeat steps 1 and 2 for the other roof rail.
4. Slide each holder back, and align the hole in the holder with the mark on the inside of the roof rail.

MARK (on the inside of the roof rail)



5. Position the cross bars on the holders, and install the special bolts with washers. Tighten the bolts securely.
6. Reinstall the front covers on the roof rails.

## USE AND CARE

- Check the roof rack cross bar mounting bolts frequently, and retighten them if necessary.
- Distribute the weight of the cargo evenly, and do not exceed the maximum weight capacity of 150 lb (68 kg).