

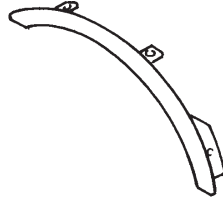


INSTALLATION INSTRUCTIONS

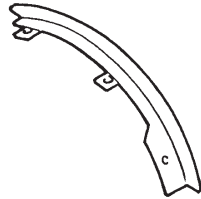
Accessory FENDERWELL TRIMS P/N 08P21-S0X-100	Application ODYSSEY	Publications No. All 26008
		Issue Date AUG 2003

PARTS LIST

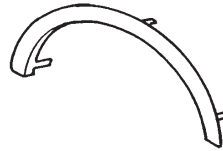
Left front fenderwell trim



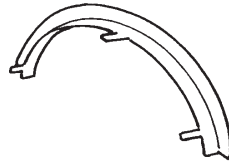
Right front fenderwell trim



Left rear fenderwell trim



Right rear fenderwell trim



Left rear bumper trim



Right rear bumper trim



TOOLS AND SUPPLIES REQUIRED

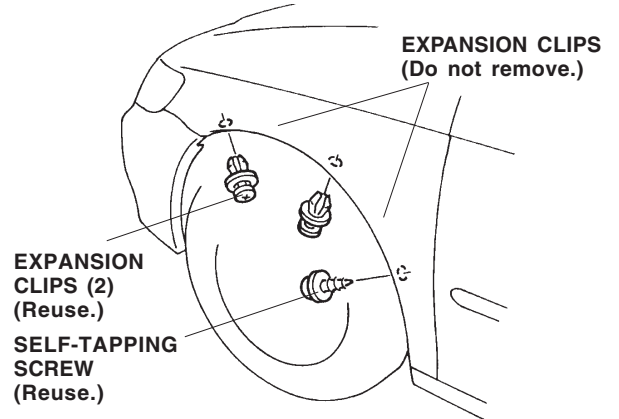
- Phillips screwdriver
- Flat-tip screwdriver
- Pliers
- Isopropyl alcohol
- Shop towel

INSTALLATION

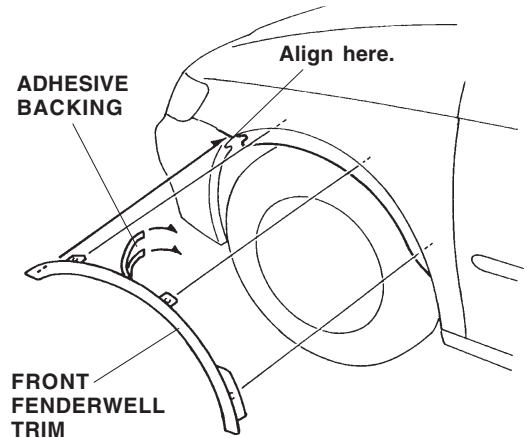
NOTE: These installation instructions show the left fenderwell trims being installed; the same procedure applies to installing the right fenderwell trims.

Installing the Front Fenderwell Trims

1. Turn the steering wheel all the way counterclockwise.
2. Remove the two expansion clips and one self-tapping screw securing the inner fender.

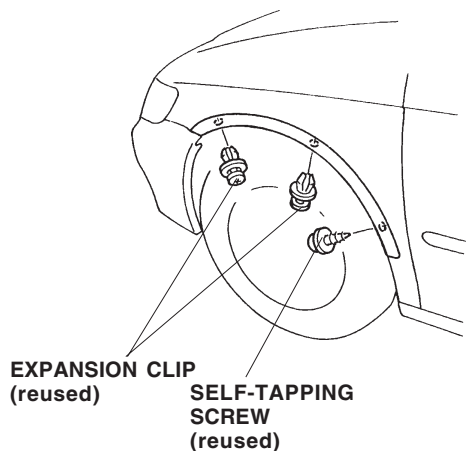


3. Using isopropyl alcohol on a shop towel, thoroughly clean the fender where the fenderwell trim will be installed.
4. Peel 2 inches of the two adhesive backings from the end of the fenderwell trim, and fold it back.



5. Align the fenderwell trim with the front bumper as indicated by the arrow. While holding light pressure against the fenderwell trim over the inner fender liner, slowly and carefully remove the lower adhesive backing you peeled back. Next, remove the upper adhesive backing the same way.
6. Using the palm of your hand, firmly push the fenderwell trim against the fender starting at the front and working toward the rear.

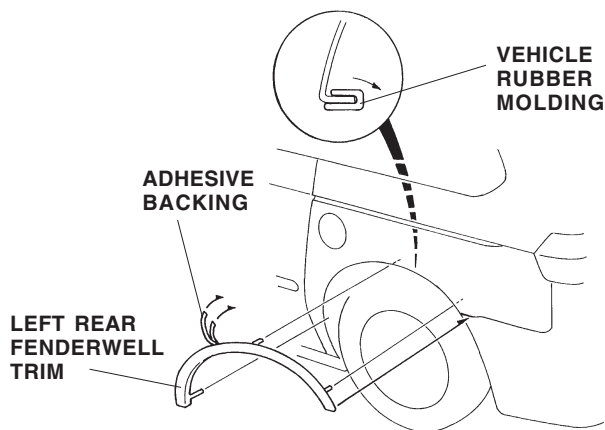
7. Reinstall the two expansion clips and one self-tapping screw to secure the inner fender and fenderwell trim.



8. Turn the steering wheel all the way clockwise, and repeat steps 2 through 7 to install the right front fenderwell trim.

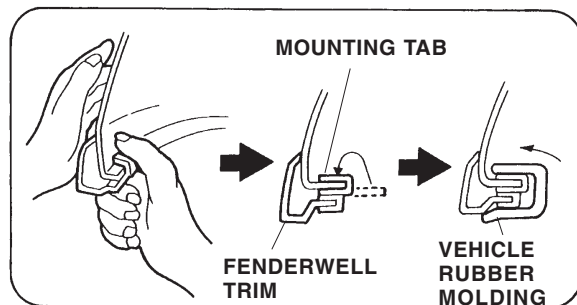
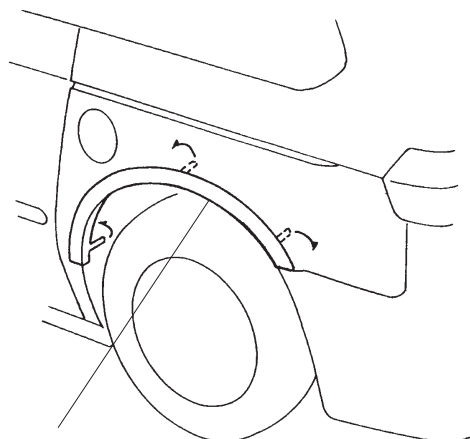
Installing the Rear Fenderwell and Bumper Trims

9. Remove the vehicle rubber molding from the rear fender. Using isopropyl alcohol on a shop towel, thoroughly clean the fender where the fenderwell trim will attach.
10. Peel 2 inches of the two adhesive backings from the end of the fenderwell trim, and fold it back.



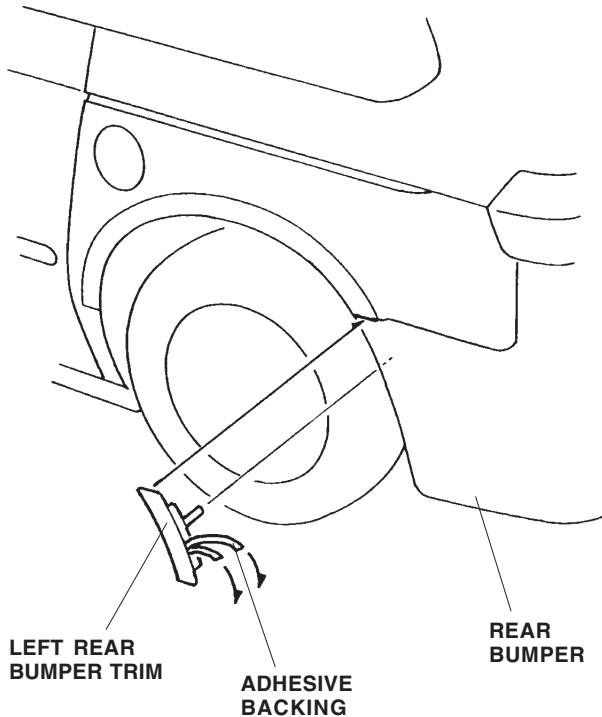
11. Align the fenderwell trim with the rear bumper as indicated by the arrow. While holding light pressure against the fenderwell trim, slowly and carefully remove the lower adhesive backing you peeled back. Next, remove the upper adhesive backing the same way.
12. Using the palm of your hand, firmly push the fenderwell trim against the fender starting at the rear and working forward.

13. Bend the three mounting tabs around the fender flange. If necessary, use pliers over a shop towel to bend the mounting tabs around the fender flange.



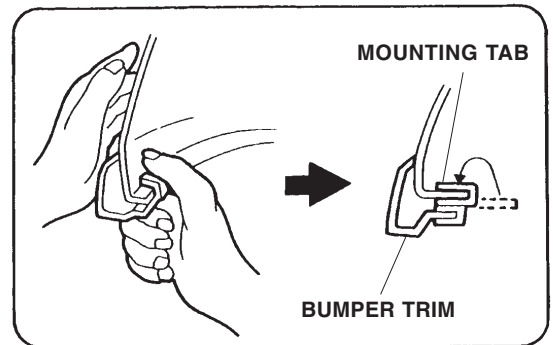
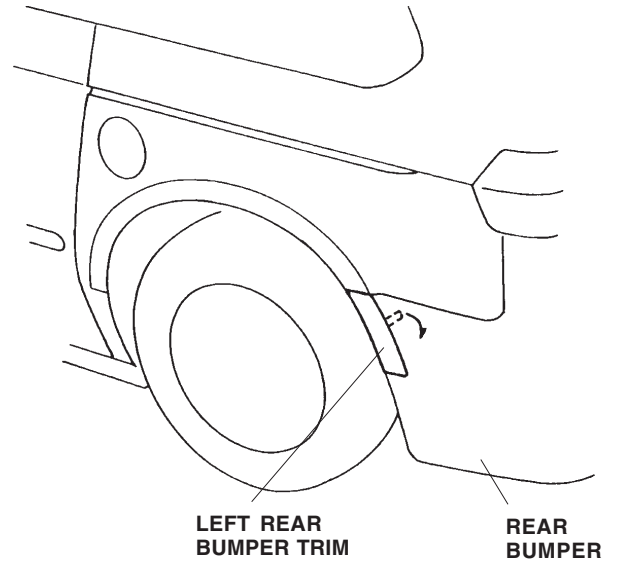
14. Reinstall the vehicle rubber molding around the fenderwell over the mounting tabs.

15. Using isopropyl alcohol on a shop towel, thoroughly clean the rear bumper where the bumper trim will attach.
16. Peel 2 inches of the two adhesive backings from the end of the bumper trim, and fold it back.



17. Align the bumper trim with the rear bumper as indicated by the arrow. While holding light pressure against the bumper trim, slowly and carefully remove the lower adhesive backing you peeled back. Next, remove the upper adhesive backing the same way.
18. Using the palm of your hand, firmly push the bumper trim against the bumper starting at the top and working toward the bottom.

19. Bend the mounting tab around the bumper flange. If necessary, use pliers over a shop towel to bend the mounting tab around the bumper flange.



20. Repeat steps 9 through 19 to install the right rear fenderwell trim and the right rear bumper trim.