



# INSTALLATION INSTRUCTIONS

Accessory

**SUBWOOFER**

Application

**ODYSSEY**

Publications No.

**All 22903-22963**

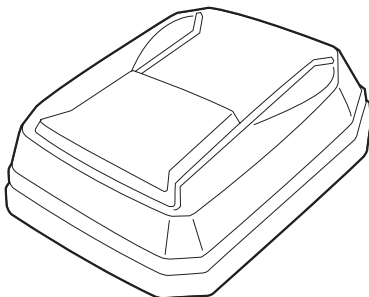
Issue Date

**MAY 2002**

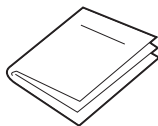
## PARTS LIST

**Subwoofer Kit:  
P/N 08A39-EP7-100**

Subwoofer

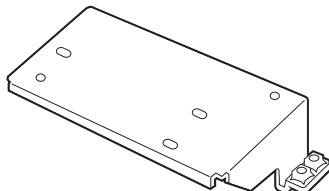


Owner's manual

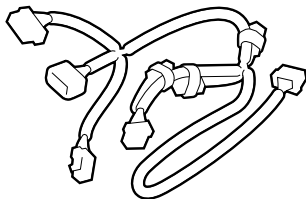


**Subwoofer Attachment Kit:  
P/N: 08B39-EP7-100**

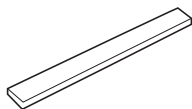
Subwoofer bracket



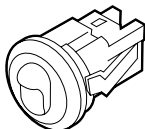
Subwoofer harness



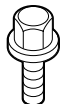
3 Cushions



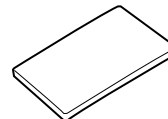
Subwoofer switch



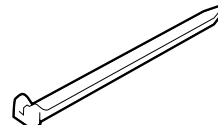
4 flange bolts, 6 x 12 mm



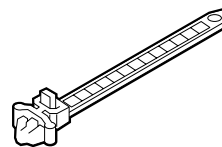
2 Cushion tapes



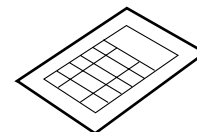
8 Wire ties  
(1 not used)



2 Wire ties with clip  
(Not used)



Fuse seal



## TOOLS AND SUPPLIES REQUIRED

#2 Phillips screwdriver

Flat-tip screwdriver

Stubby Phillips screwdriver

8 mm, 10 mm, and 14 mm Combination wrenches

8 mm, 10 mm, and 14 mm Sockets

Awl

Drill

3 mm drill bit

20 mm Hole saw

Isopropyl alcohol

Tape measure

Center punch

Ratchet

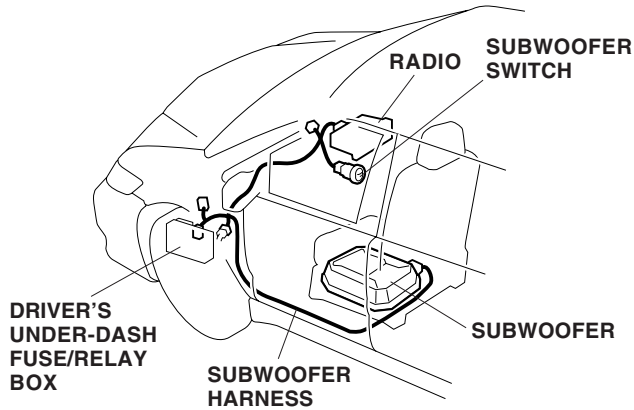
Torque wrench

Shop towel

Diagonal cutters

Utility knife

## Illustration of the Subwoofer Installed on the Vehicle



### INSTALLATION

**Customer Information:** The information in this installation instruction is intended for use only by skilled technicians who have the proper tools, equipment, and training to correctly and safely add equipment to your vehicle. These procedures should not be attempted by “do-it-yourselfers.”

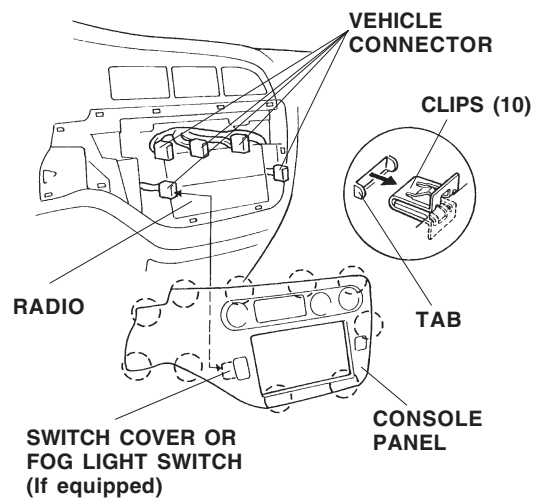
#### NOTE:

- *LX and EX models without navigation.* If the vehicle is equipped with an optional CD changer under the driver's seat, the CD changer must be relocated under the front passenger's seat, in place of the front passenger's under seat storage tray.
  - *EX model with navigation.* If the vehicle is equipped with the an optional CD changer under the driver's seat, the subwoofer cannot be installed.
1. If equipped, make sure you have the anti-theft code for the radio, then write down the frequencies for the preset buttons.
  2. Disconnect the negative cable from the battery.

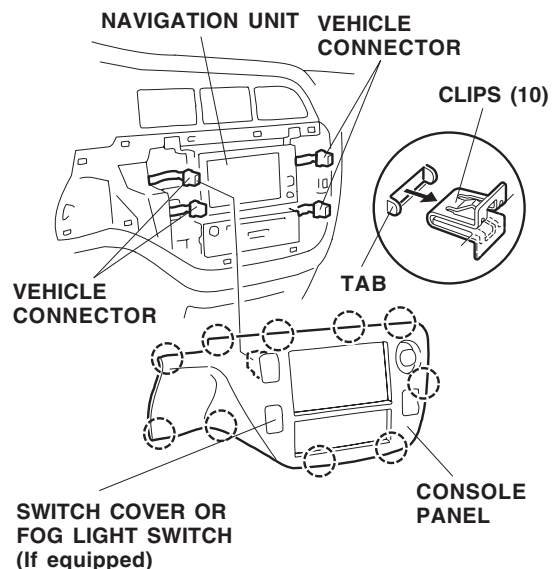
### 3. Remove the console panel:

- Move the gear selector to the 1 position.
- Using a small flat-tip screwdriver wrapped with a shop towel, gently pry out and remove the switch cover or fog light switch, if equipped.
- Reach inside the cover switch hole, gently pull along the bottom to release the lower clips, and work toward the top to release all ten clips.
- Pull out the console panel, unplug the vehicle connectors, and remove the panel.

#### Without Navigation System:

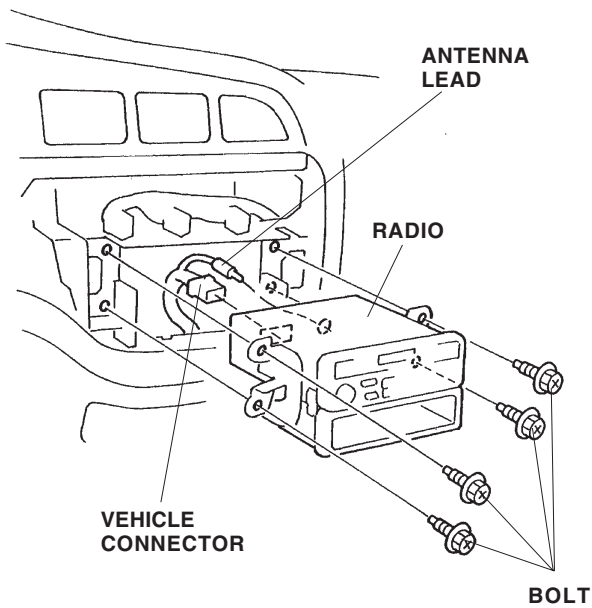


#### With Navigation System:

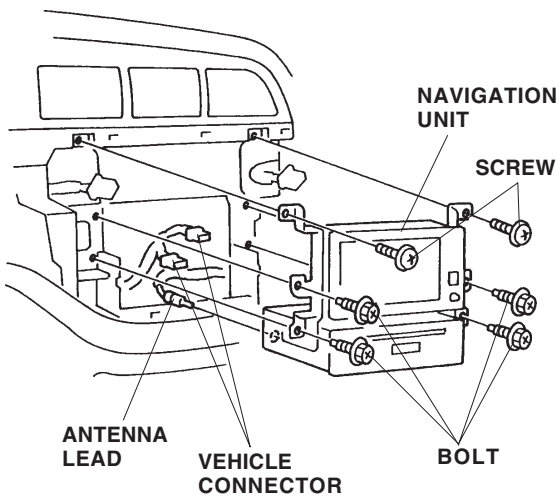


- Remove the radio or navigation unit (bolts, screws; unplug the connectors and the antenna lead.)

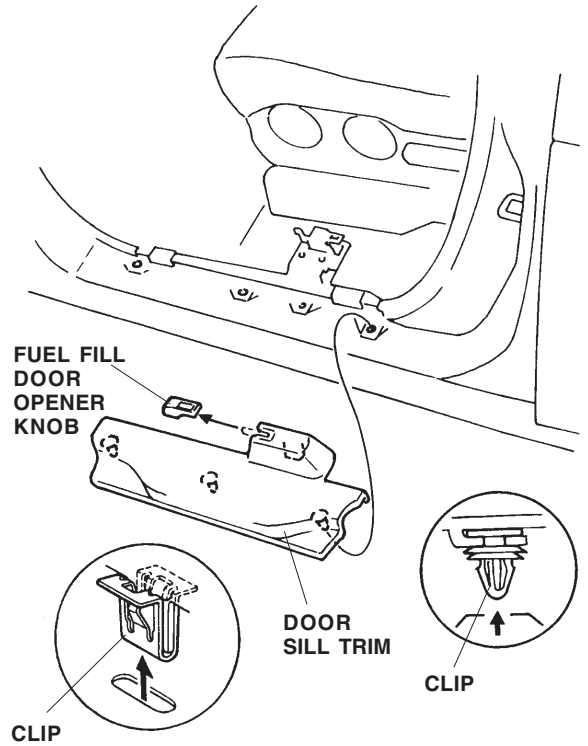
**Without Navigation System:**



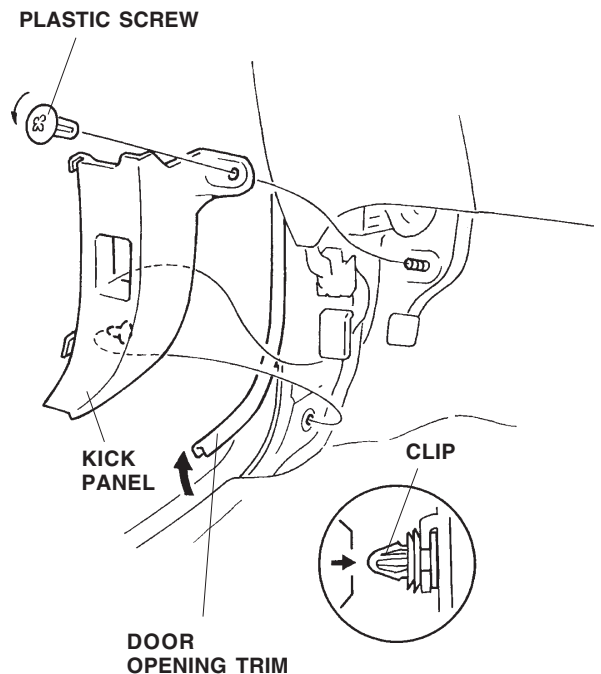
**With Navigation System:**



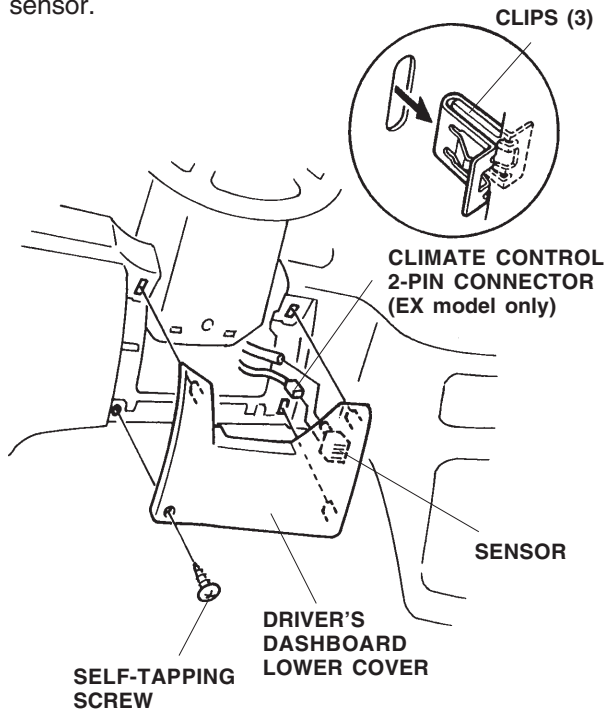
- Remove the fuel fill door opener knob.



- Pry up on the clips, and remove the driver's door sill trim. Be careful not to damage the clips.
- Pull up the door opening trim, and unscrew the plastic screw securing the kick panel. Remove the kick panel by pulling it out toward you.

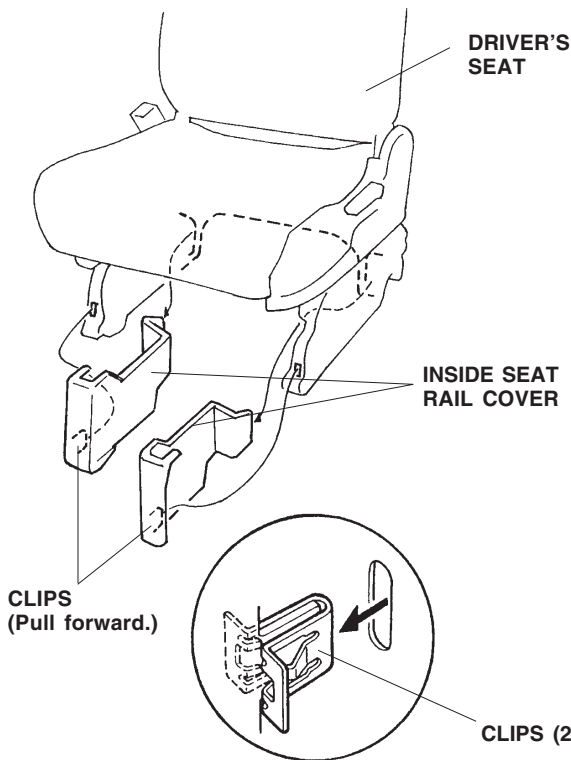


- Remove the driver's dashboard lower cover (one self-tapping screw and three clips). On EX model, unplug the climate control 2-pin connector from the sensor.

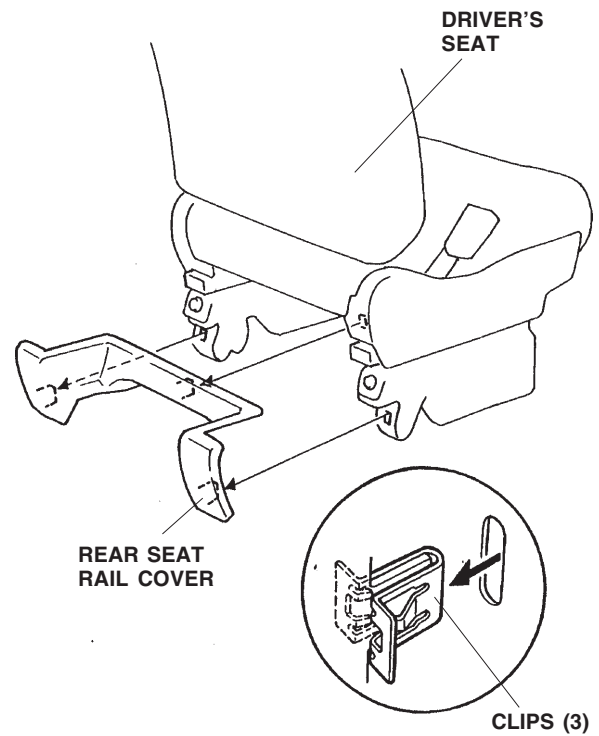


- Remove the driver's seat inside seat rail covers.

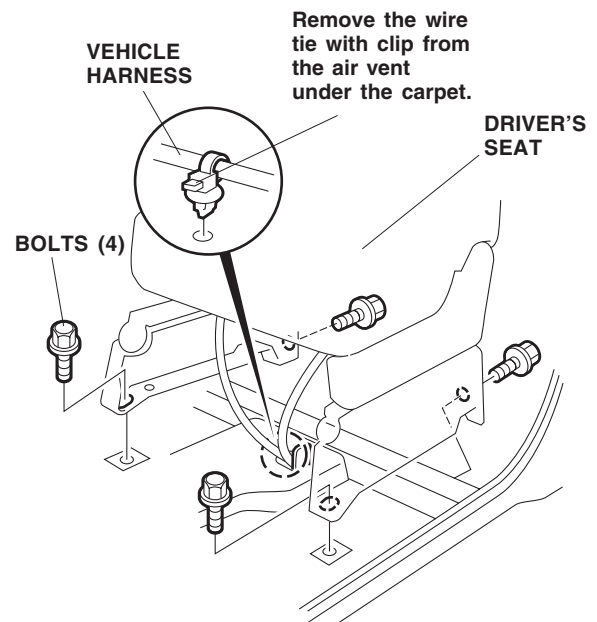
NOTE: If equipped with the optional CD changer, the CD changer must be removed and relocated under the passenger's seat at this time.



- Remove the rear seat rail cover from the driver's seat by pulling to release the three clips.

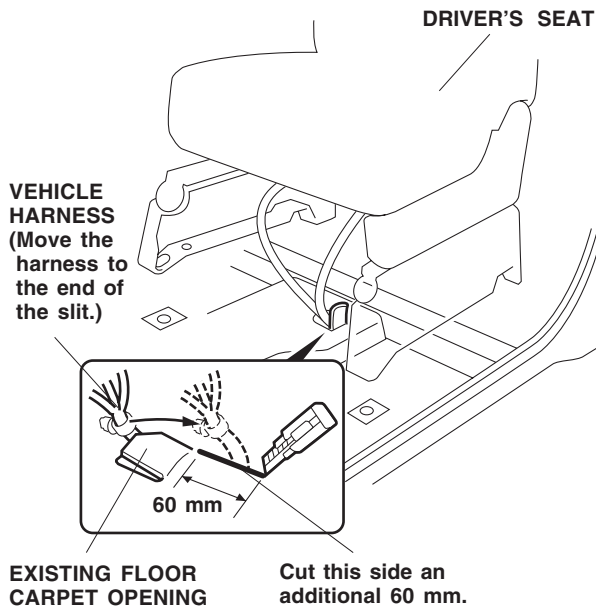


- Slide the driver's seat all the way back. Remove the four bolts that secure the driver's seat side rails to the floor. Tilt the seat back out of the way. Be careful not to stretch the harness or you could damage the harness clip.



- Under the floor carpet, remove the wire tie with clip from the air vent.

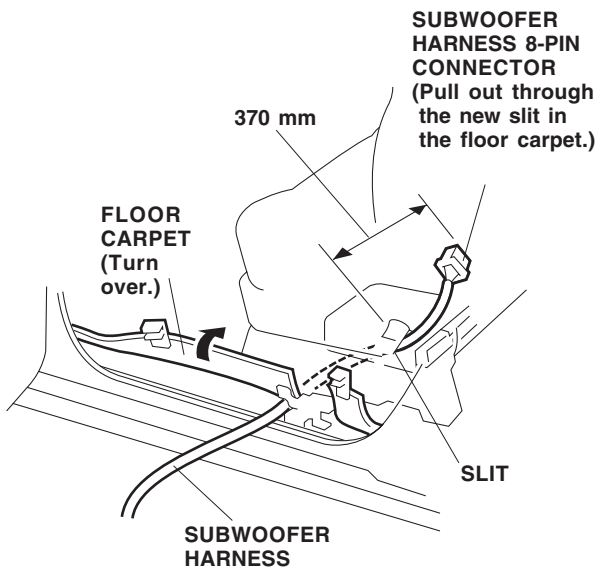
- Using a utility knife, slit the rearward side of the existing floor carpet opening an additional 60 mm in the area shown. Be careful not to damage the wire harnesses concealed under the floor carpet.



- Move the vehicle harness(es) to the end of the new slit you just made in the carpet.

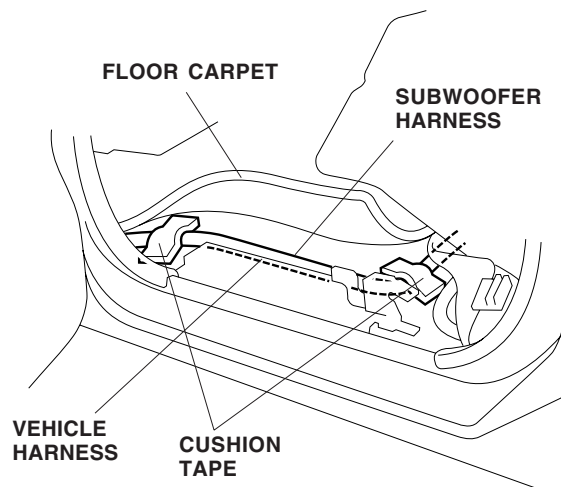
### Routing the Subwoofer Harness

- Lift up the floor carpet. Route the subwoofer harness under the floor carpet and pull the subwoofer harness 8-pin connector out through the new slit in the floor carpet you just made.

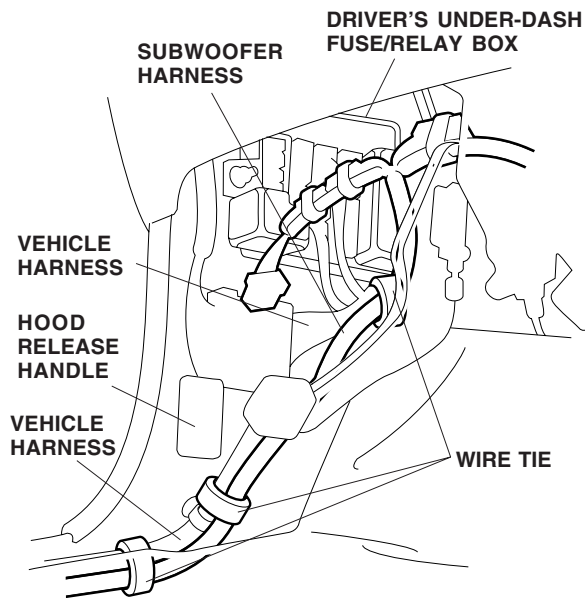


- Adjust the length of the subwoofer harness so that the distance from the slit in the floor carpet to the end of the subwoofer harness 8-pin connector is 370 mm.

- Continue routing the subwoofer harness toward the dashboard along the vehicle harness.

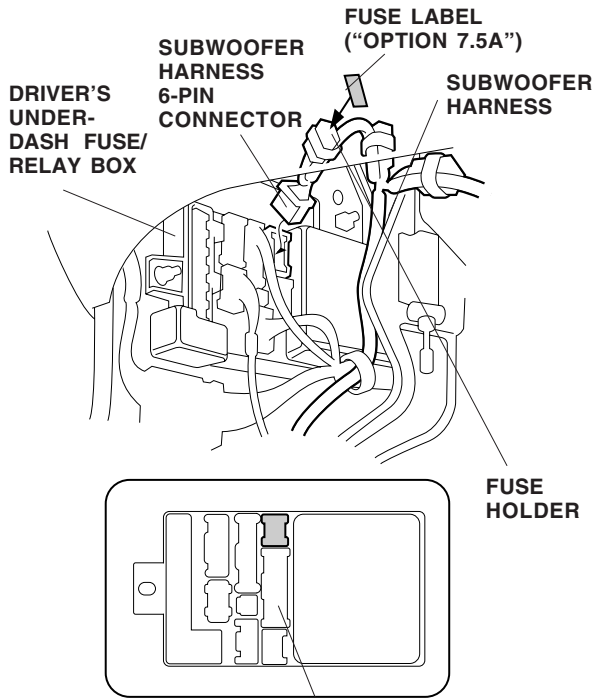


- Using isopropyl alcohol on a shop towel, thoroughly clean the areas where the cushion tapes will attach. Secure the subwoofer harness to the floor panel with two cushion tapes in the areas shown.
- Route the subwoofer harness up to the driver's under-dash fuse/relay box.



- Secure the subwoofer harness to the vehicle harness with three wire ties in the areas shown.

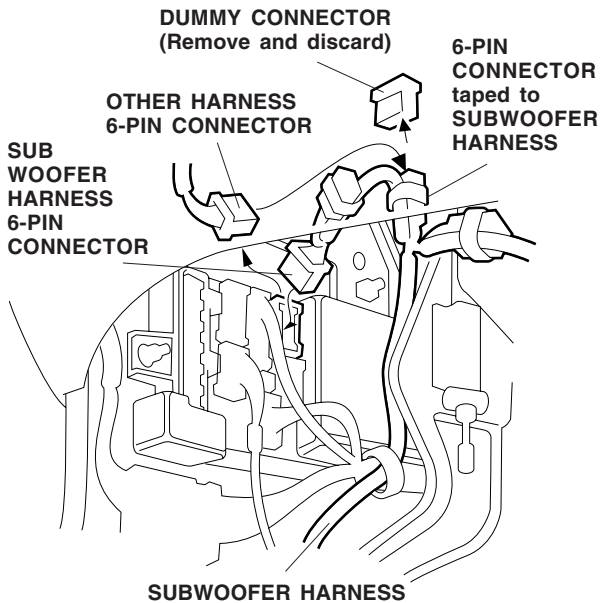
21. Attach the fuse label ("OPTION 7.5A") to the fuse holder on the subwoofer harness.



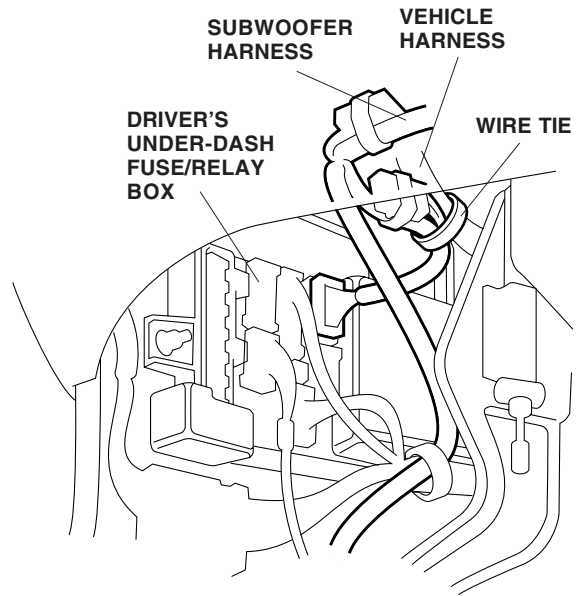
Plug in the subwoofer harness 6-pin connector here.

22. Plug the subwoofer harness 6-pin connector into the appropriate socket of the driver's under-dash fuse/relay box as shown.

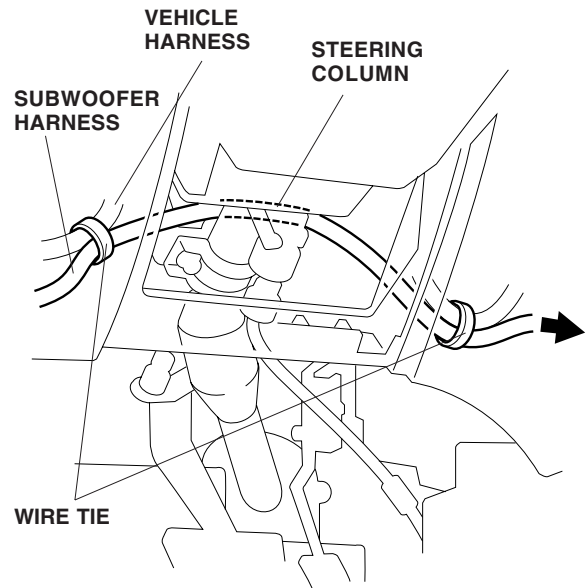
NOTE: If another accessory harness 6-pin connector is already plugged into the driver's under-dash fuse/relay box socket, unplug that connector and plug it into the optional 6-pin connector taped to the harness.



23. Secure the subwoofer harness to the vehicle harness with a wire tie.

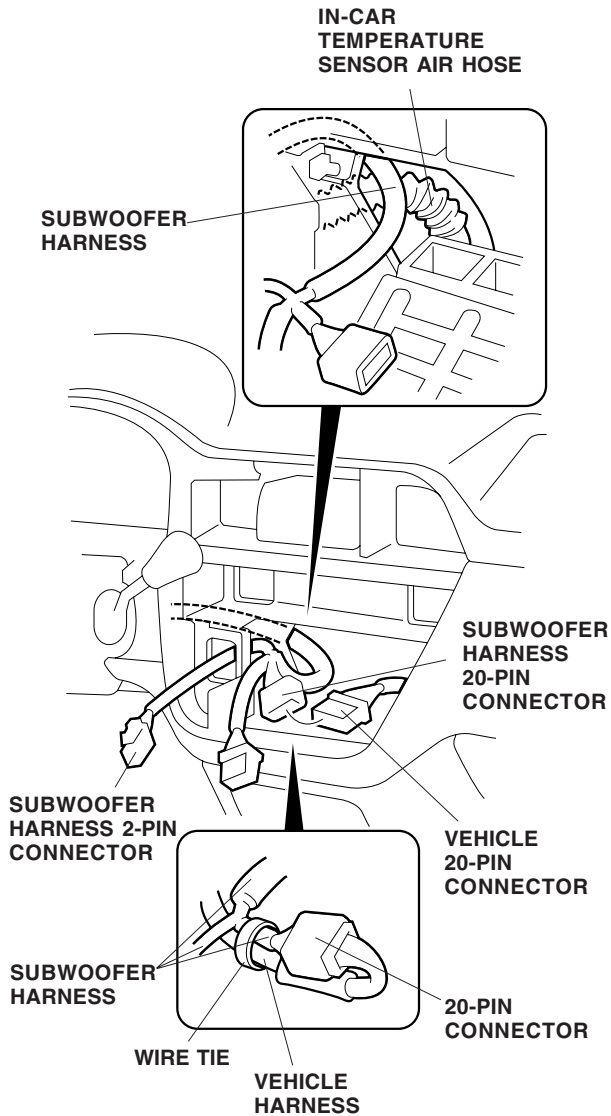


24. Route the subwoofer harness above the steering column and toward the console panel opening. Secure the harness to the vehicle harness with two wire ties.



- Connect the subwoofer harness 20-pin connector to the vehicle 20-pin connector.

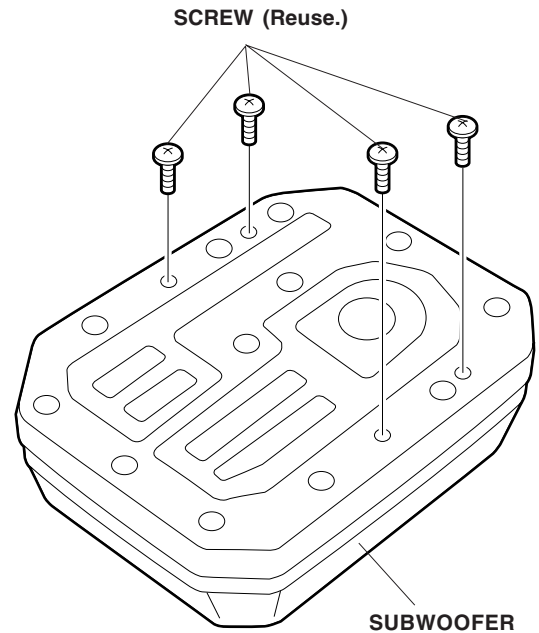
NOTE: If the vehicle is equipped with a *in-vehicle* entertainment system (*i-VES*), connect the subwoofer harness 20-pin connector to the *in-vehicle* entertainment system harness.



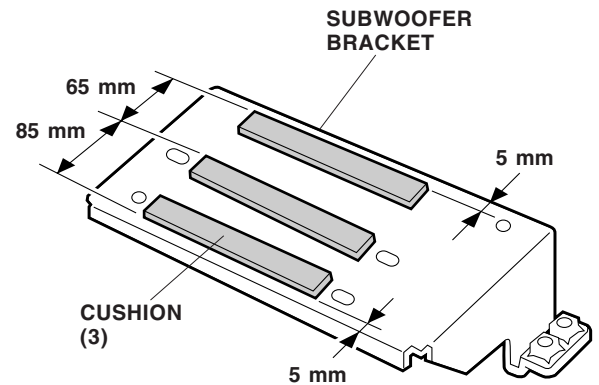
- Secure the subwoofer harness to the vehicle harness with a wire tie:
  - Route the subwoofer harness over the in-car temperature sensor air hose (transparent corrugated tube) and out through the console panel opening.
  - Route the subwoofer harness 2-pin connector out through the small switch opening as shown.

## Installing the Subwoofer Bracket

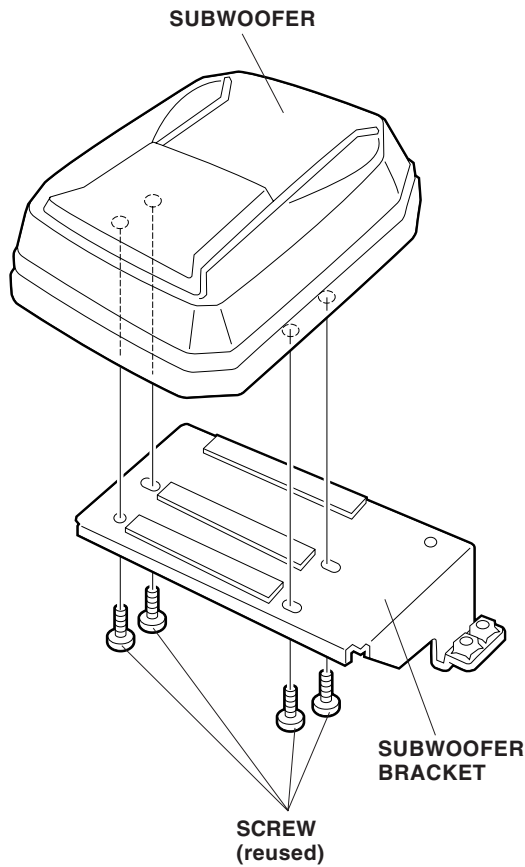
- Remove and retain the four screws from the subwoofer.



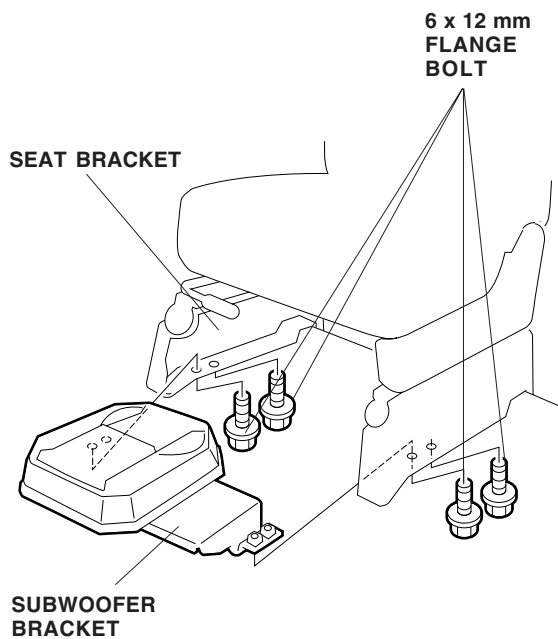
- Using isopropyl alcohol on a shop towel, thoroughly clean the areas where the cushions will attach. Attach the three cushions to the subwoofer bracket in the areas shown.



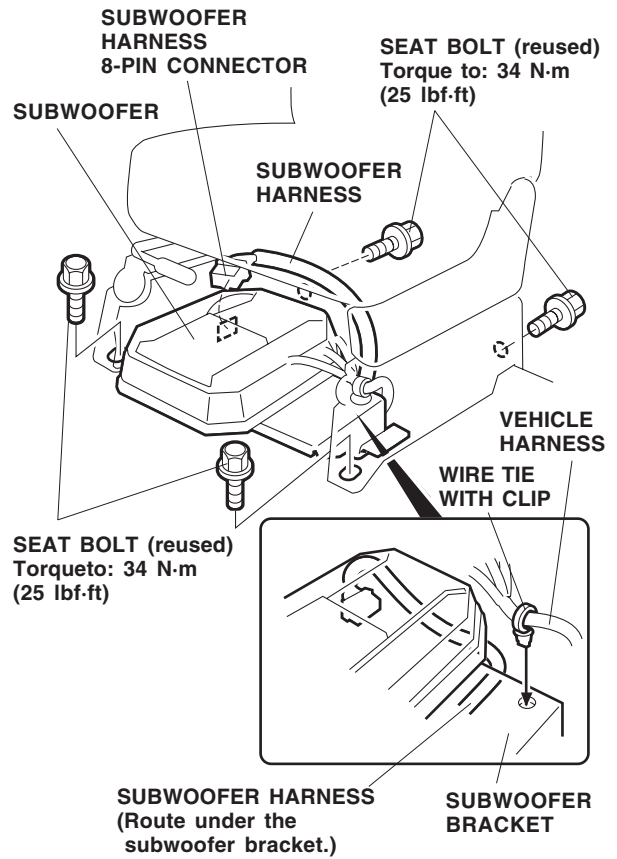
29. Position the subwoofer on the subwoofer bracket, and reinstall the four screws removed in step 27.



30. Attach the subwoofer assembly to the seat bracket with the four 6 x 12 mm flange bolts from the attachment kit.



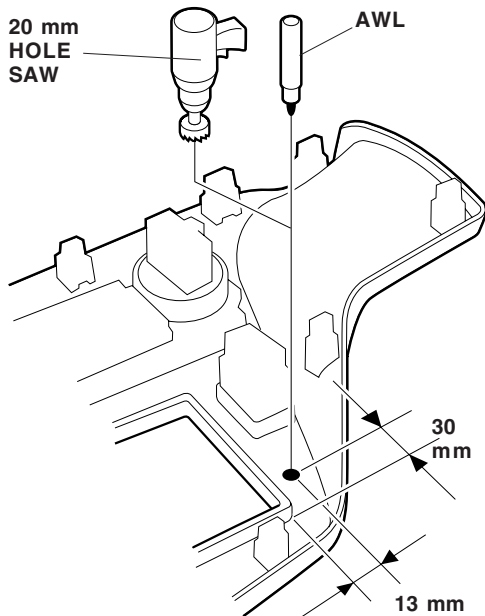
31. Connect the subwoofer harness 8-pin connector to the subwoofer.



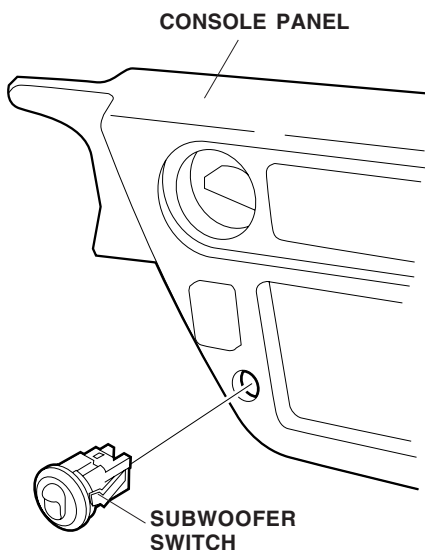
32. Push the wire tie with clip removed in step 12 into the hole in the subwoofer bracket to secure the vehicle harness.
33. Reinstall driver's seat with the four seat bolts. Torque the seat bolts to 34 N-m (25 lbf-ft) Slide the seat back and forth to verify that wire harnesses are not pinched or pulled taut.

## Installing the Subwoofer Switch

34. Using a measuring tape and an awl, mark the console panel as shown. Lightly punch the mark with a center punch.

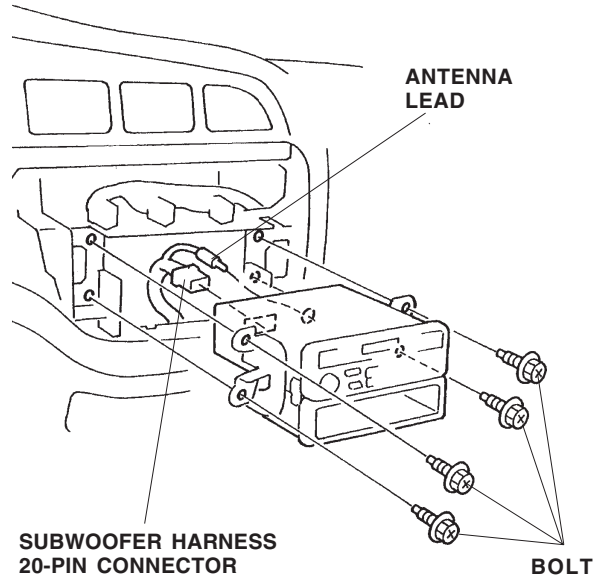


35. While wearing eye protection, drill a 20 mm hole through the center-punched mark:
- First drill a pilot hole with a 3 mm drill bit, then finish with a 20 mm hole saw.
  - Remove all burrs.
36. Install the subwoofer switch in the hole you just drilled in the console panel.

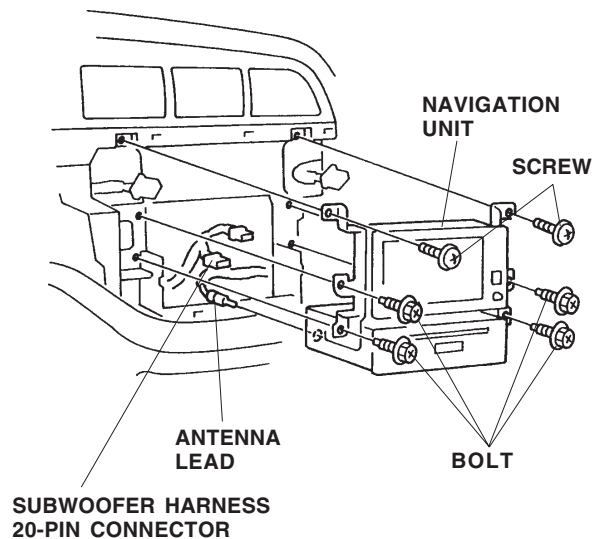


37. Connect the subwoofer harness 20-pin connector and the antenna lead into the rear of the radio or navigation unit, then slide it into the console panel opening. Install the mounting hardware, and tighten the bolts or screws securely.

### Without Navigation System:

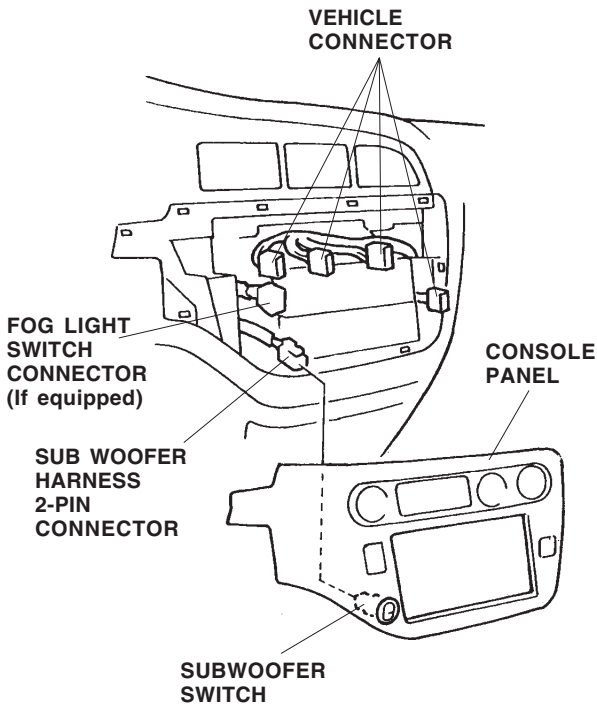


### With Navigation System:

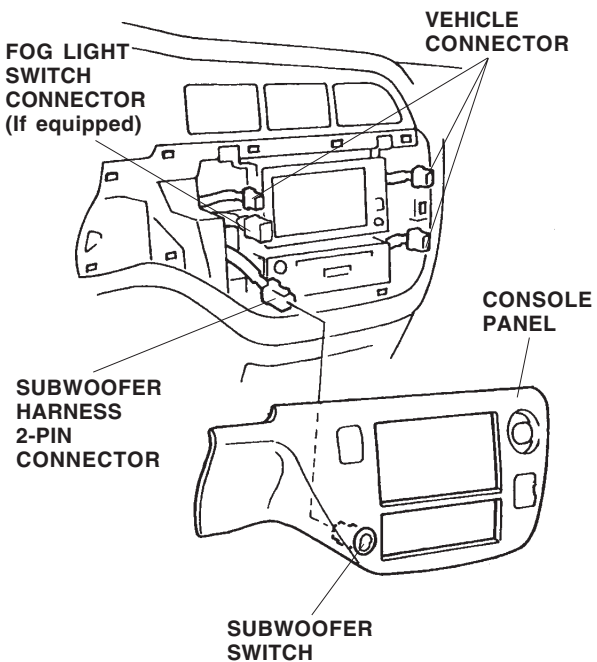


38. Hold the console panel near the console opening, and connect the subwoofer harness 2-pin connector to the subwoofer switch. Connect the vehicle connectors to the console panel, and reinstall the console panel.

**Without Navigation System:**



**With Navigation System:**



39. Check that all wire harnesses and cables are routed properly and all connectors are plugged in.
40. Reinstall all removed parts.
41. Reconnect the negative cable to the battery.
42. Enter the customer's radio anti-theft code, if applicable, and reset the radio station presets.
43. Reset the clock.
44. Check the operation of the Subwoofer according to the Owner's Manual supplied with the unit.

**NOTE:** Whenever the battery is disconnected, the driver's AUTO function is disabled.

45. Start the engine. Push down on the driver's window switch until the window is fully open.
46. Pull up on the driver's window switch to close the window completely, then hold the switch for a second or two more.
47. Test the AUTO window function.

**FUSE REPLACEMENT**

Open the lid of the fuse holder taped to the subwoofer harness, remove the old fuse, and install a new 7.5A fuse.

