

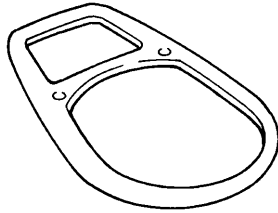


INSTALLATION INSTRUCTIONS

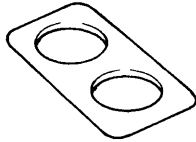
Accessory	Application	Publications No.
WOOD-GRAIN ROOF TRIM KIT P/N 08Z03-S0X-100C	ODYSSEY	All 22053
		Issue Date DEC 2000

PARTS LIST

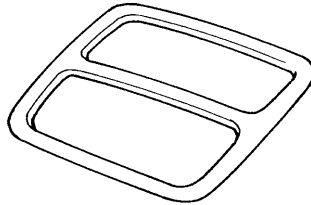
4 Wood-grain ceiling vent trims



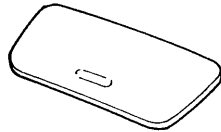
Wood-grain heater control panel trim



Wood-grain ceiling light trim



Wood-grain sunglasses holder trim



Wood-grain ceiling light center cover trim



SUPPLIES REQUIRED

- Isopropyl alcohol
- Shop towel

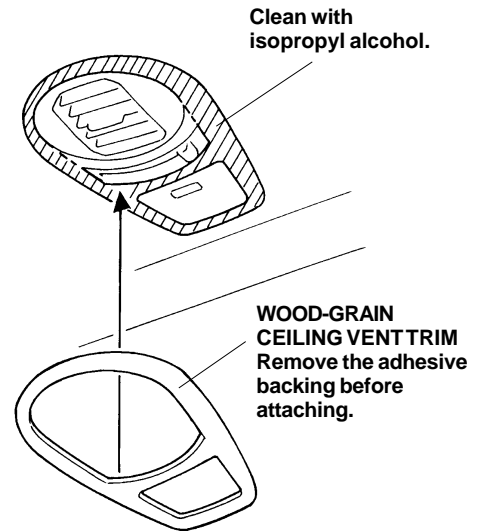
INSTALLATION

NOTE: This wood panel kit should only be installed if the ambient air temperature is 60°F (15°C) or above.

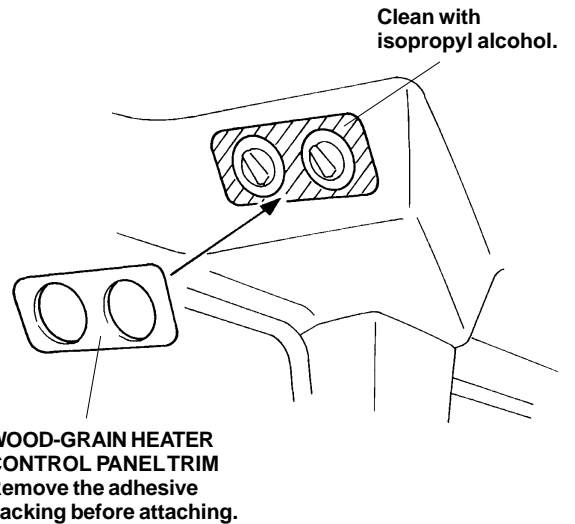
Installing the Wood-Grain Ceiling Vent Trims and Heater Control Panel Trim

- Using isopropyl alcohol on a shop towel, thoroughly clean the mating surfaces of the four ceiling vents and the heater control panel.

- Remove the adhesive backings from each wood-grain ceiling vent trim, and attach them to the ceiling vents. With the palm of your hand, apply light pressure to each wood-grain ceiling vent trim.



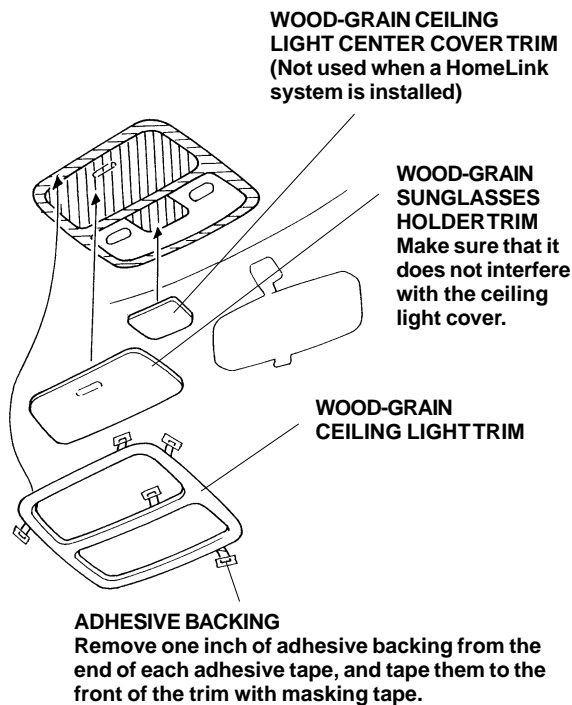
- Remove the adhesive backing, and install the wood-grain heater control panel trim by applying light pressure with the palm of your hand.



Installing the Wood-Grain Ceiling Light Trim, Sunglasses Holder Trim, and Ceiling Light Center Cover Trim

- Using isopropyl alcohol on a shop towel, thoroughly clean the mating surfaces of the ceiling light cover, the outer surface of the sunglasses holder, and the ceiling light center cover.

NOTE: If the vehicle is equipped with a HomeLink system, the ceiling light center cover is not used.



- Peel one inch from the end of each adhesive backing on the adhesive tapes, and attach them to the front of the wood-grain ceiling light trim with masking tape.
- Attach the wood-grain ceiling light trim to the vehicle ceiling light panel:
 - Position the wood-grain ceiling light trim on the vehicle ceiling light panel, and adjust its location. When you are satisfied that the ceiling light trim is positioned properly, apply light pressure against the center of the wood-grain ceiling light trim to hold it in position.
 - While applying light pressure against the wood-grain ceiling light trim, slowly and carefully remove each piece of adhesive backing.
 - Using the palm of your hand, firmly push the wood-grain ceiling light trim in several places where the adhesive tapes are attached.

- Remove the adhesive backing from the wood-grain sunglasses holder trim, and attach it to the outer surface of the sunglasses holder.
- Remove the adhesive backing from the wood-grain ceiling light center cover, and attach it to the ceiling light center cover.