



INSTALLATION INSTRUCTIONS

Accessory
CD CHANGER ATTACHMENT KIT (LX)

Application
2006 PILOT

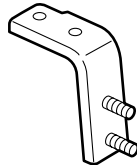
Publications No.
All 30489

Issue Date
SEP 2005

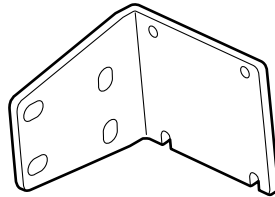
PARTS LIST

**CD Changer Attachment Kit (sold separately):
P/N 08B26-S9V-100A**

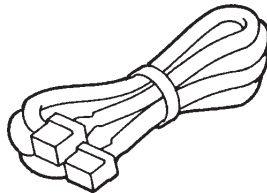
2 Base brackets



2 Changer brackets



BUS Cable



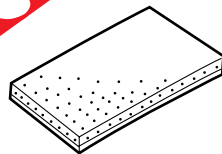
4 Flange bolts, 6 x 16 mm



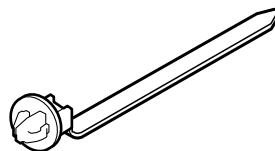
4 Washer nuts



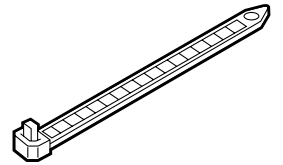
3 EPT seals



Wire tie with clip



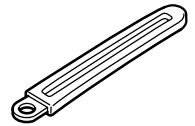
8 Wire ties



8 Washer-screws, 4 x 8 mm

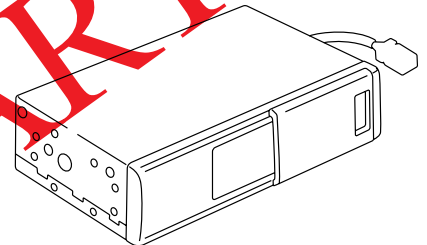


2 Wire clips

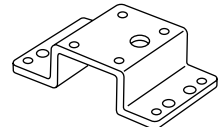


**CD Changer Kit (sold separately):
P/N 08A26-5E1-100**

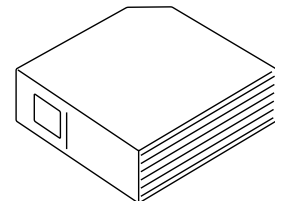
CD changer



Sub-bracket



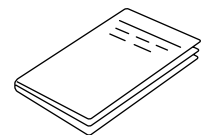
8-Disc CD magazine



8 Washer-bolts, 4 x 6 mm



Owner's Manual



PRELIMINARY

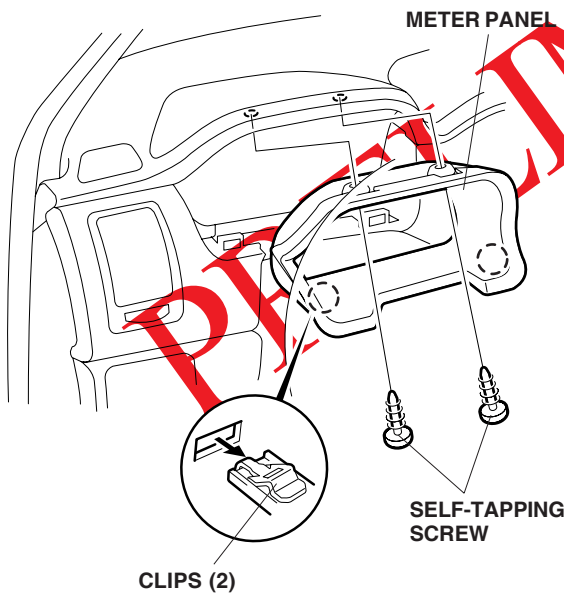
TOOLS AND SUPPLIES REQUIRED

Flat-tip screwdriver
Phillips screwdriver
Ratchet
8 mm, 10 mm and 12 mm Sockets
Shop towel
Diagonal cutters
8 mm and 10 mm Combination wrenches
Isopropyl alcohol
Utility knife
Tape measure

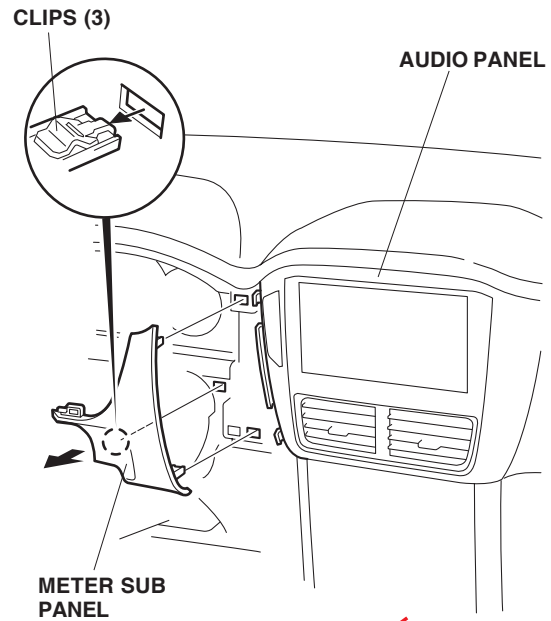
INSTALLATION

Customer Information: The information in this installation instruction is intended for use only by skilled technicians who have the proper tools, equipment, and training to correctly and safely add equipment to your vehicle. These procedures should not be attempted by "do-it-yourselfers."

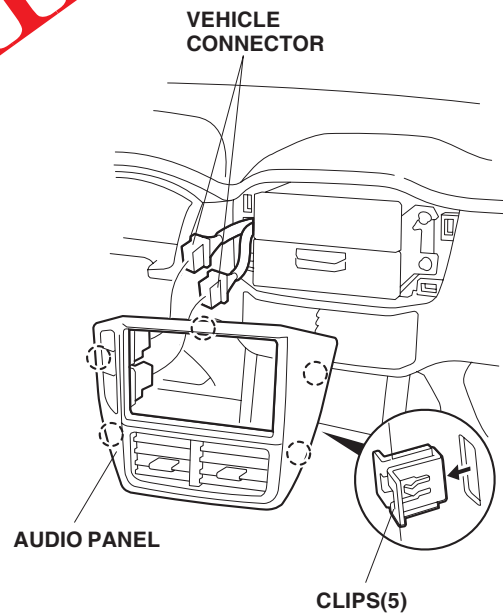
1. Make sure you have the anti-theft code for the radio, then write down the frequencies for the preset buttons.
2. Disconnect the negative cable from the battery.
3. Remove the audio unit.
 - Remove the meter panel (two self-tapping screws and two clips).



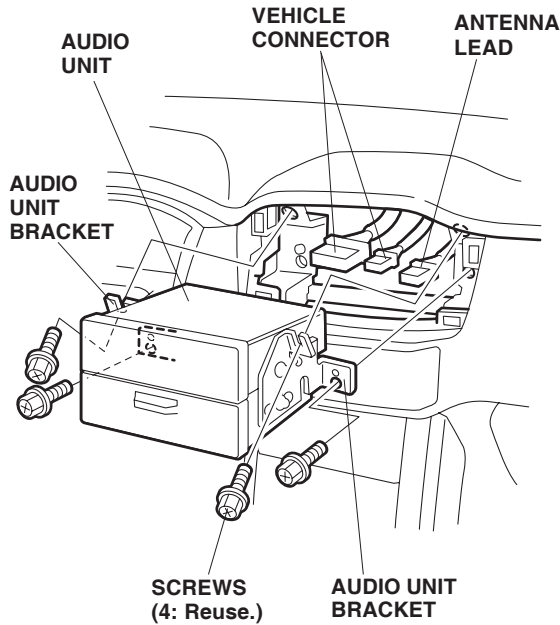
- Remove the meter sub panel (three clips).



- Gently pull out on the left side of the audio panel to release the remaining three clips. Unplug the vehicle connectors and remove the audio panel.

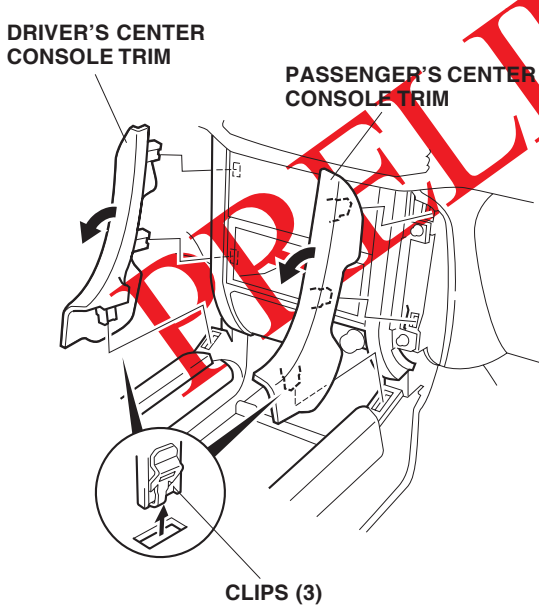


- Remove the four screws that fasten the audio unit brackets. Pull the audio unit out toward you, then unplug the vehicle connectors and vehicle antenna connector from the rear of the audio unit.

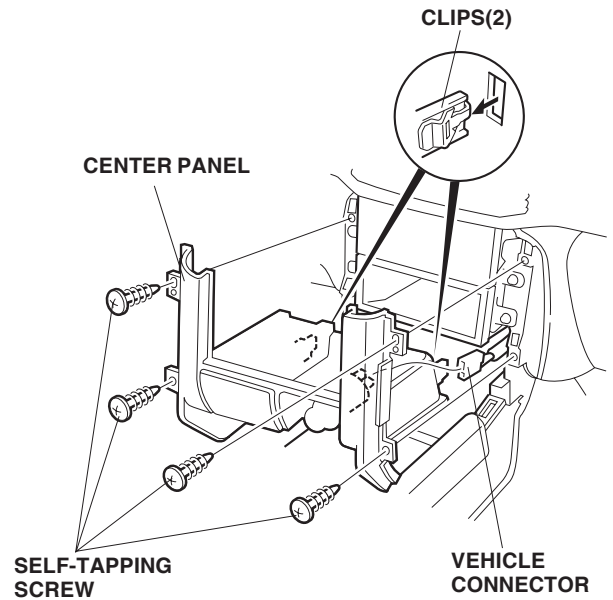


Vehicle with player

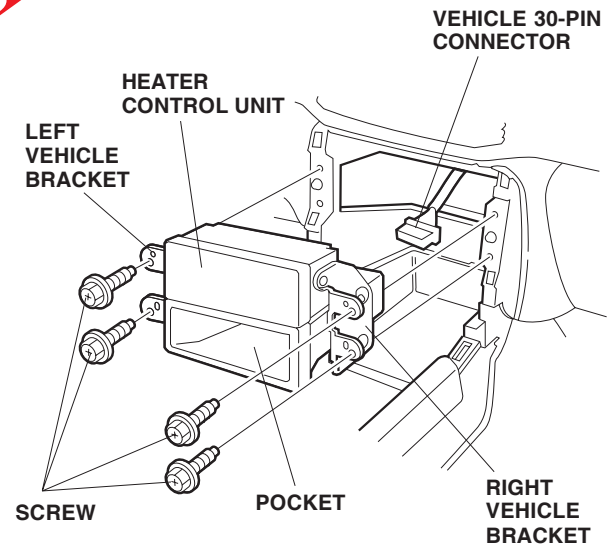
- Remove the driver's and passenger's center console trim pieces (three clips each). Take care not to damage the clips.



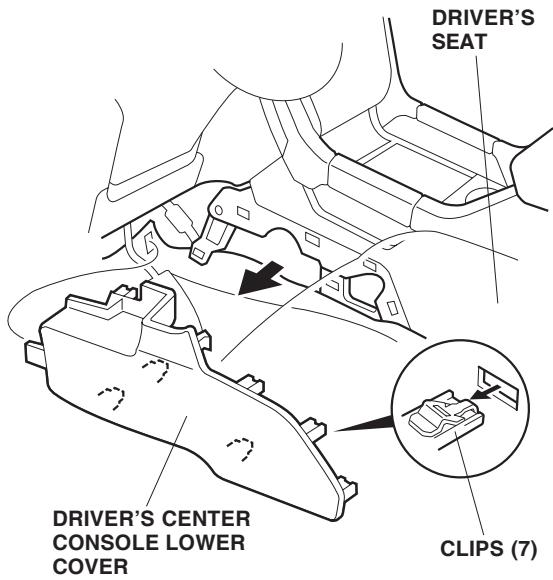
- Remove four self-tapping screws that fasten the center panel.



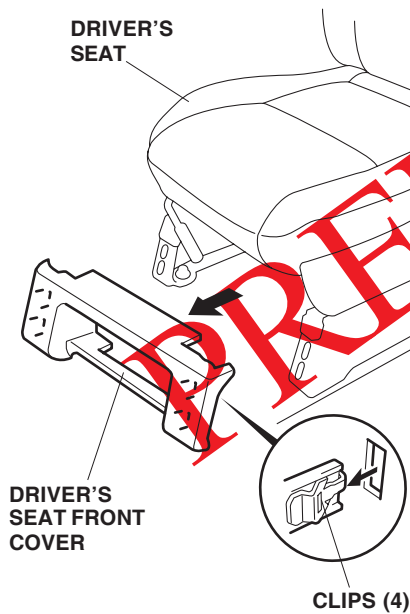
- Pull the center panel out toward you to release the two clips. Unplug the vehicle connector from the accessory socket, and remove the center panel.
- Remove four screws that fasten the left and right vehicle brackets. Pull the heater control unit and pocket out toward you, and unplug the vehicle connectors.



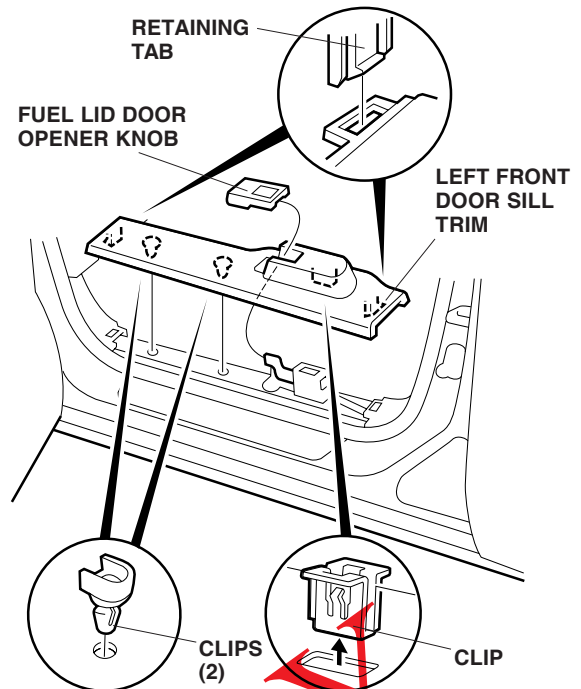
- On the driver's side of the vehicle, gently pull the center console lower cover out toward you to release the seven clips and remove the center console lower cover. Take care not to damage the clips.



- Remove the driver's seat front cover (four clips).

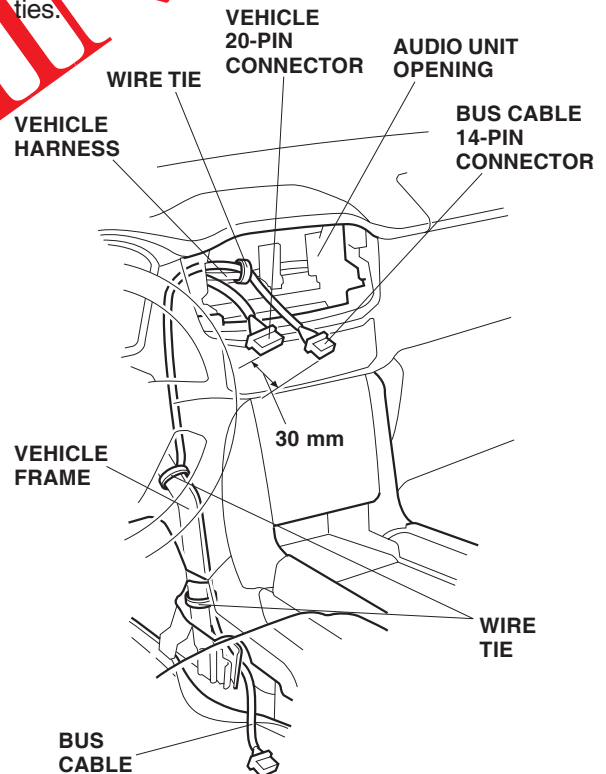


- Remove the fuel lid door opener knob, and remove the left front door sill trim (three clips and two retaining tabs).



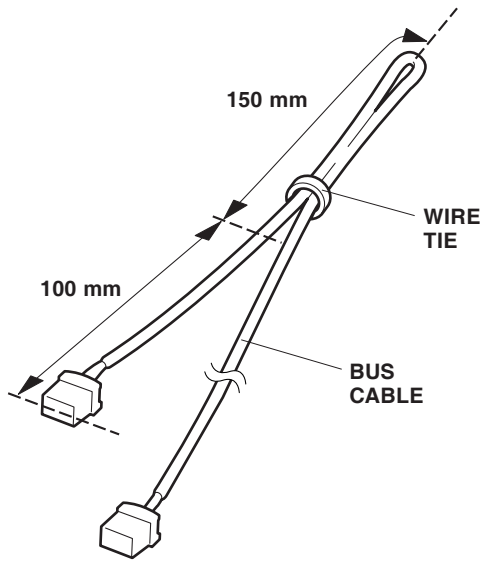
Routing the Bus Cable

- Route the bus cable from the audio unit opening to the driver's floor. Position the end of the bus cable 30 mm from the end of the vehicle 20-pin connector, and secure the bus cable to the vehicle harness and vehicle frame with three wire ties.

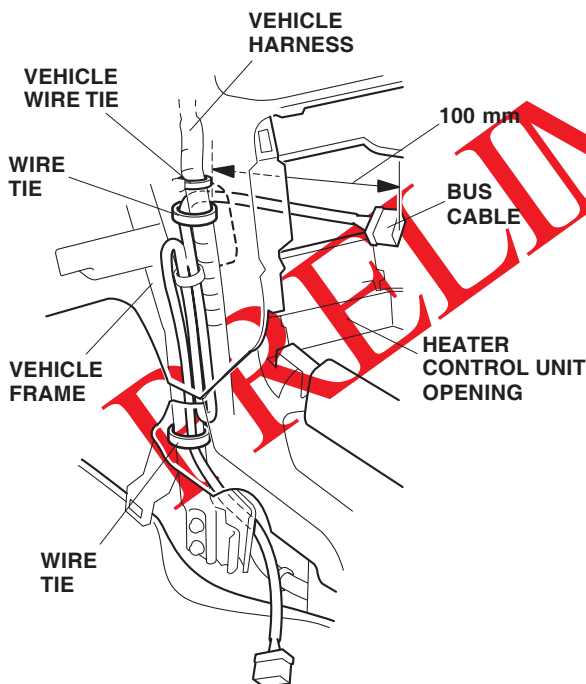


Vehicle with player

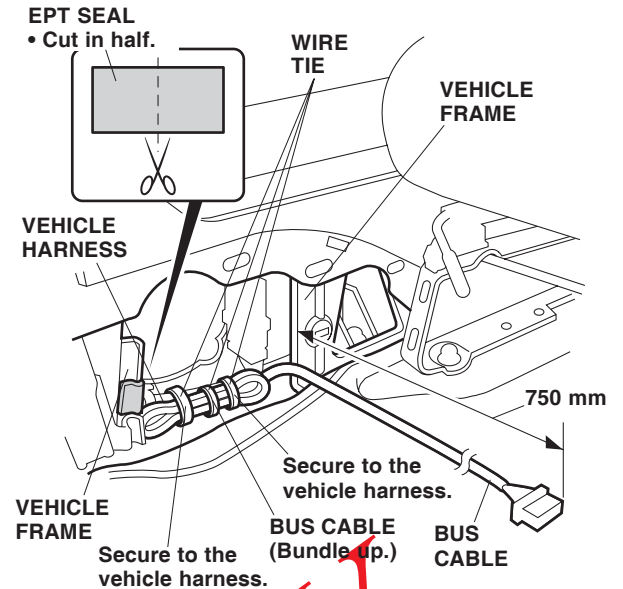
- Bundle the BUS cable with a wire tie as shown.



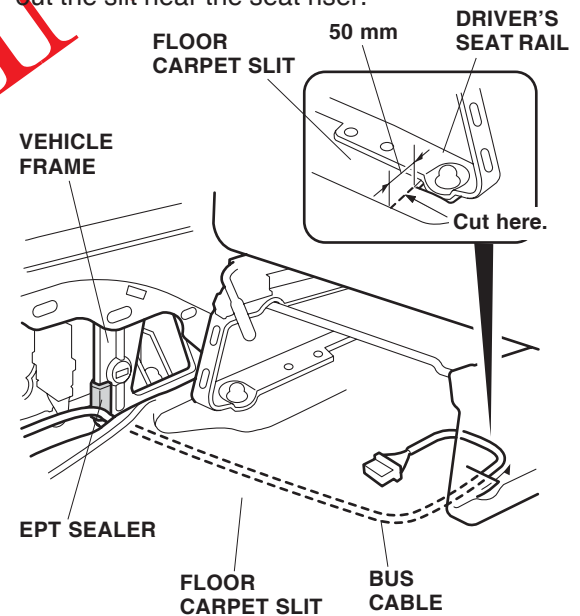
- Pull the BUS cable by the length shown from the vehicle wire tie of the heater control unit opening.
- Secure the BUS cable to the vehicle harness using a wire tie.



- Using scissors, cut one EPT sealer in half. Under the driver's center console area, clean the vehicle frame where the EPT sealer will attach. Attach 1/2 of a cushion tape to the vehicle frame at the location shown.

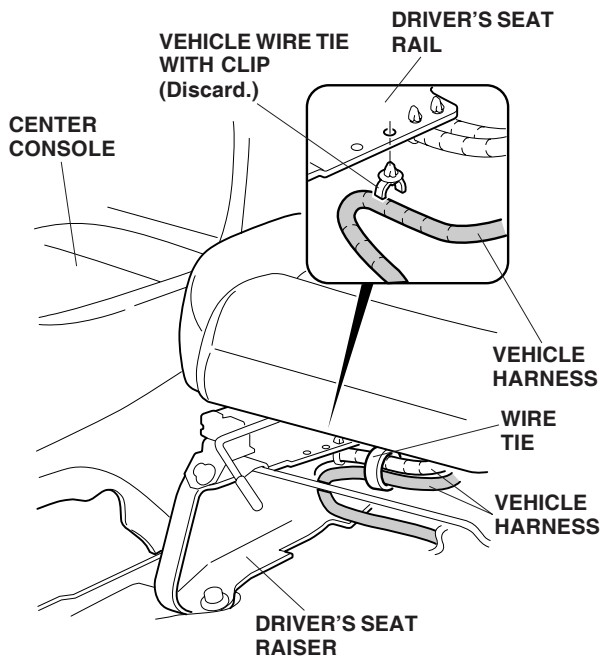


- Measure 750 mm from the end of the bus cable to the vehicle frame. Bundle up the excess bus cable and secure it to the vehicle harness with three wire ties.
- Near the edge of the driver's seat raiser, make a 50 mm slit in the floor carpet with a utility knife. Route the bus cable under the floor carpet and out the slit near the seat raiser.

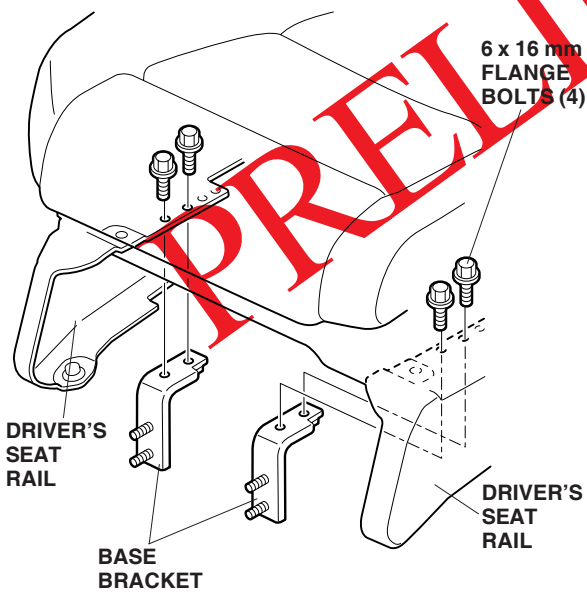


- Using the isopropyl alcohol on a shop towel, clean the area where the EPT sealer will attach. Attach half of an EPT sealer to the edge of the vehicle frame in the area shown.

- Using diagonal cutters, cut and remove the wire tie with clip that secures the vehicle harness to the driver's seat raiser on the center console side. Take care not to damage the vehicle harness when cutting the wire tie.

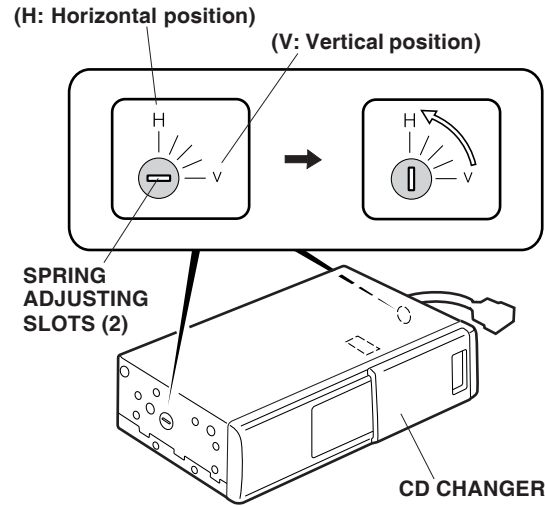


- Secure the vehicle harness you just removed to the other vehicle harness with one wire tie from the kit.
- Install the two base brackets to the driver's seat raisers using two 6 x 16 mm flange bolts for each bracket. Do not tighten the bolts yet.

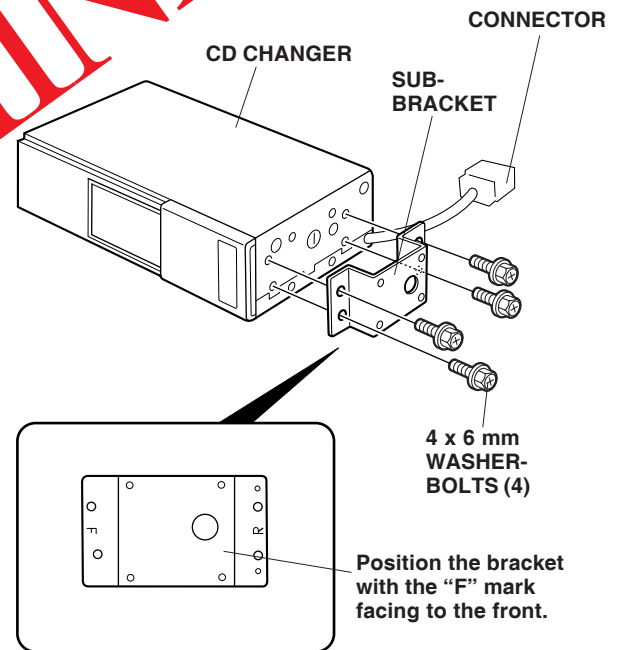


Installing the CD changer

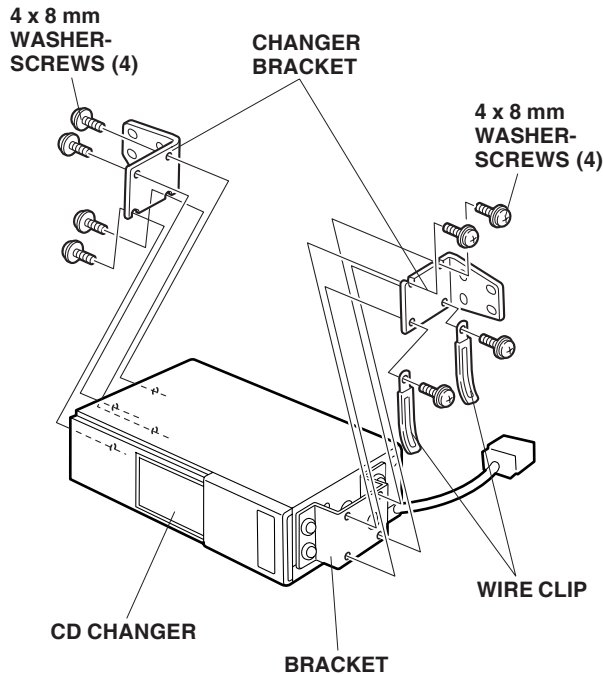
- Set the adjustment knobs to the "H: HORIZONTAL" position.



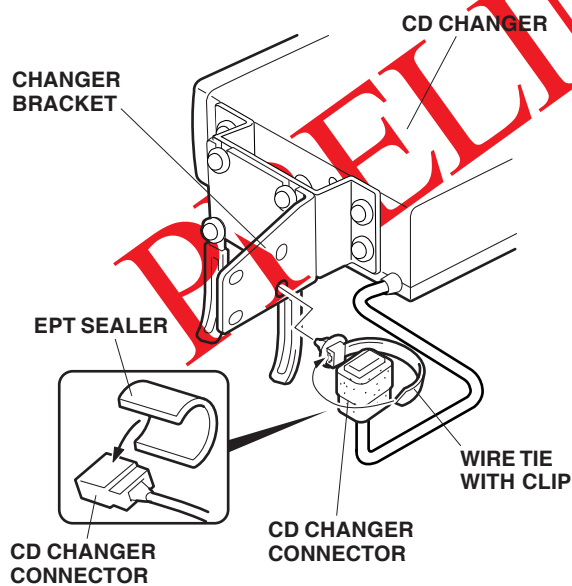
- Position the sub-bracket (included with the CD changer kit) on the connector side of the CD changer, and attach it to the CD changer with four 4 x 6 mm washer-bolts.



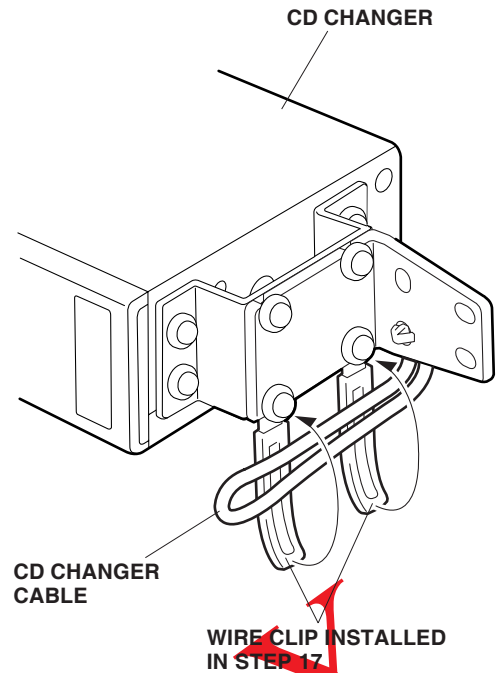
17. Install one CD changer bracket to the connector side of the CD changer with four 4 X 8 mm washer-screws. Attach two wire clips to the lower washer-screws. Install the changer bracket to other of the CD changer with four 4 x 8 mm washer-screws.



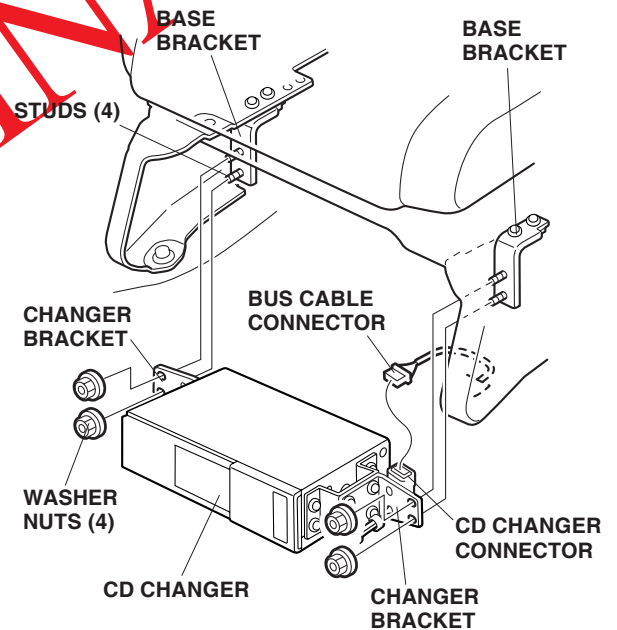
18. Wrap one EPT sealer around the CD changer connector and secure the CD changer connector to the changer bracket with one wire tie with clip.



19. Bundle up the CD changer cable and secure it with the two wire clips installed in step 17.



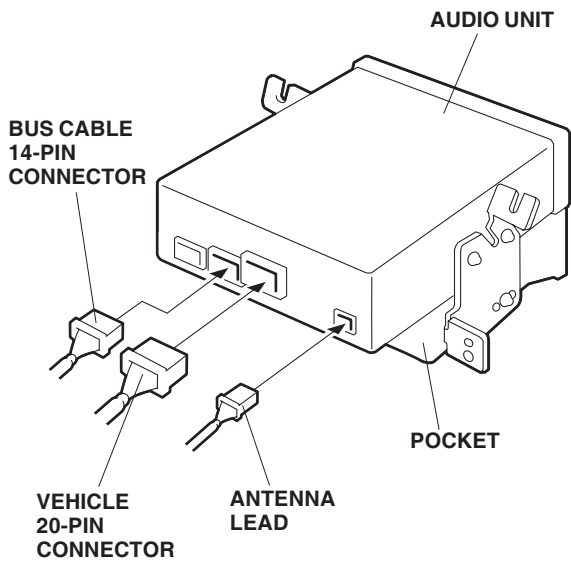
20. Plug the bus cable connector to the CD changer connector.



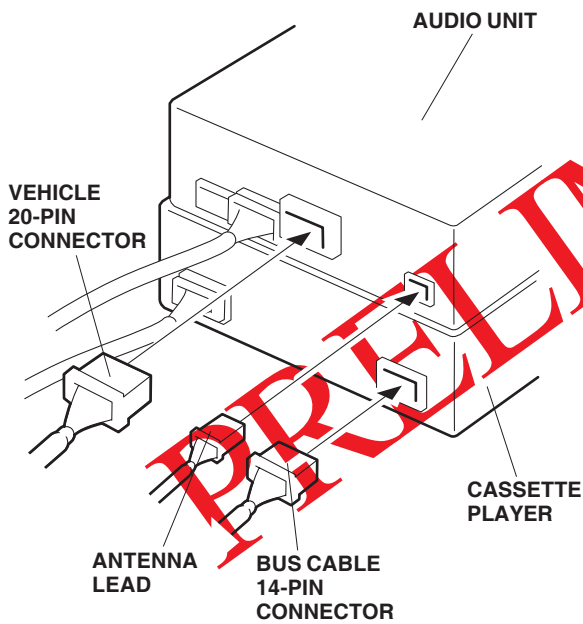
21. Insert the changer brackets over the base bracket studs, and install the one washer nut on the end of each stud. Tighten the washer nuts securely.

22. At the audio dashboard area, plug the bus cable 14-pin connector, the vehicle connectors, and the vehicle antenna lead into the rear of the audio unit.

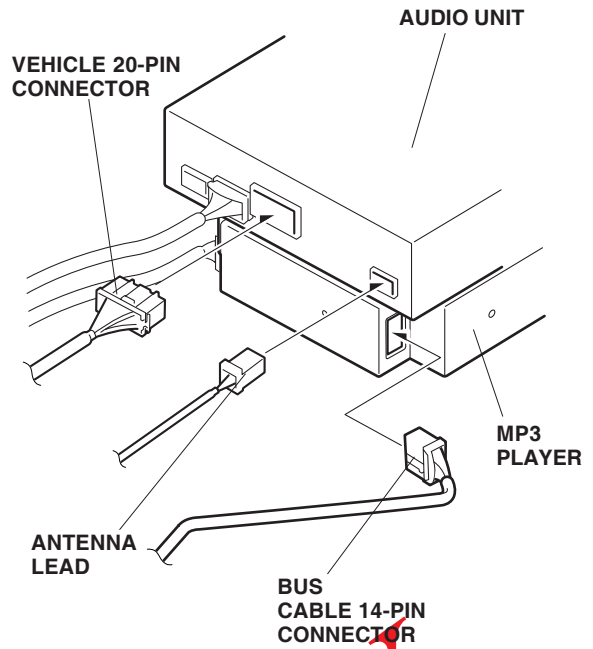
With Pocket:



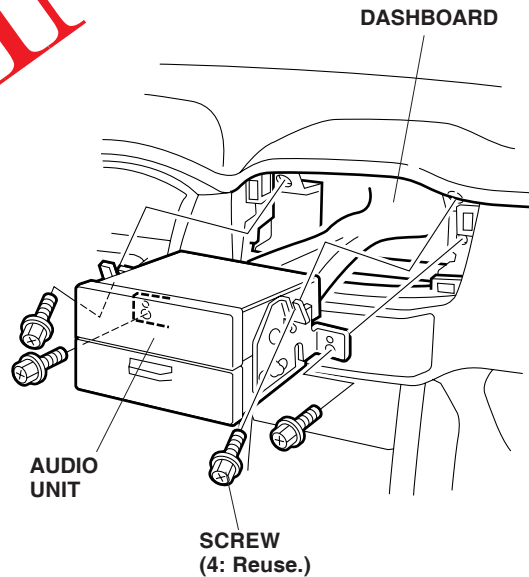
With Cassette player:



With MP3 player:



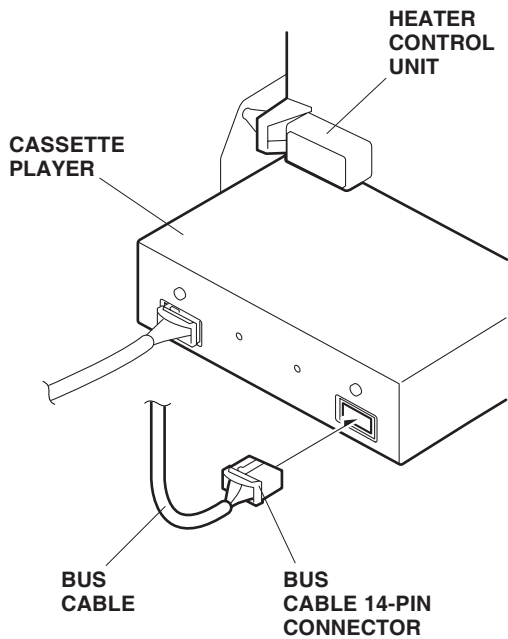
23. Slide the audio unit into the dashboard opening, and reinstall the four screws.



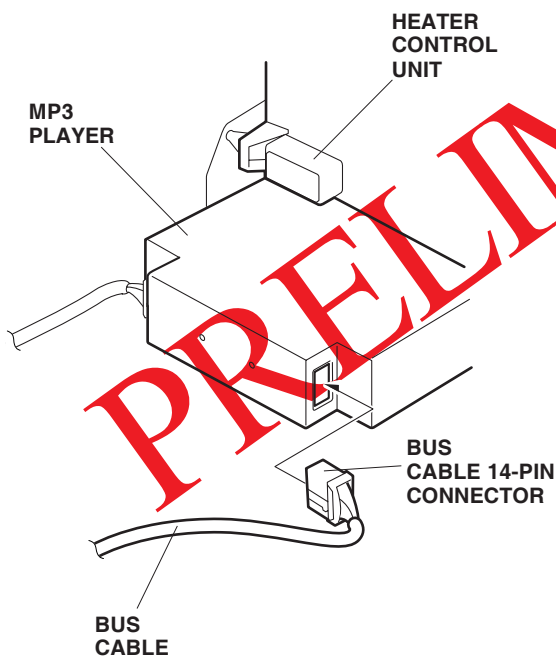
Vehicle with player

- Connect the bus cable 14-pin connector to the player.

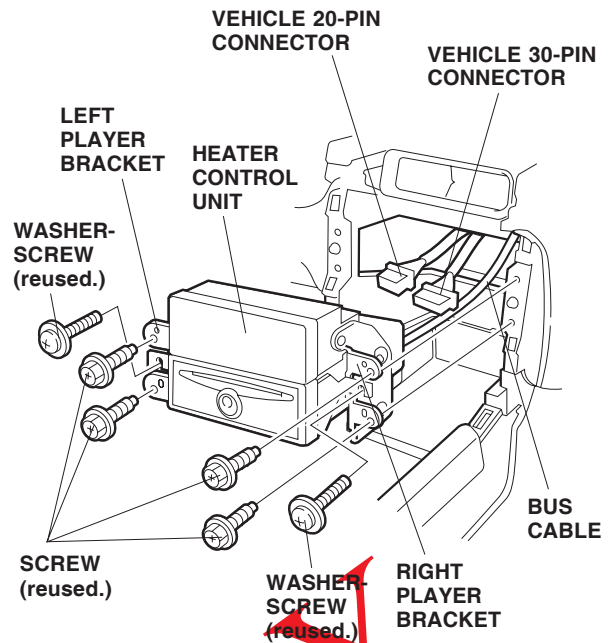
Cassette player



MP3 player



- Remove the two washer-screws from the dashboard.



24. Check that all wire harnesses are routed properly and all connectors are plugged in.
25. Reinstall all removed parts.
26. Reconnect the negative cable to the battery.
27. Enter the customer's radio anti-theft code, and reset the radio station presets.

NOTE: Whenever the battery is disconnected, the driver's window AUTO function is disabled.

28. Start the engine. Push down on the driver's window switch until the window is fully open.
29. Pull up on the driver's window switch to close the window completely, then hold the switch for 2 seconds.
30. Lower and raise the driver's window to check operation of the driver's window AUTO function.