



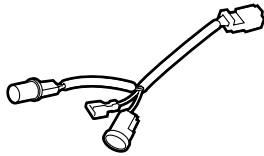
INSTALLATION INSTRUCTIONS

Accessory CIGARETTE LIGHTER AND ASHTRAY	Application 2006 PILOT	Publications No. All 30490
		Issue Date SEP 2005

PARTS LIST

Model EX-L (RES)/EX-L (NAVI)
Cigarette Lighter (sold separately)
P/N 08U25-S9V-100B

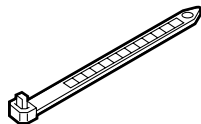
Lighter harness



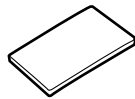
Cigarette lighter



Wire tie

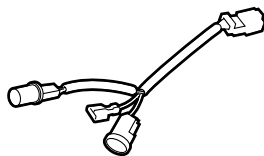


3 Cushion tapes

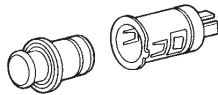


Model LX/EX/EX-L
Cigarette Lighter (sold separately)
P/N 08U25-S9V-100C

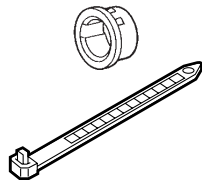
Lighter harness



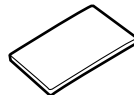
Cigarette lighter and ring



Wire tie

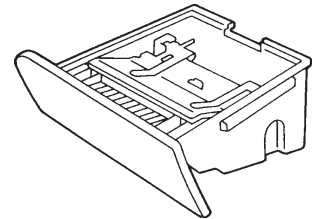


3 Cushion tapes



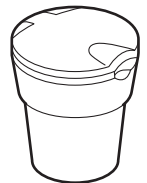
Ashtray (sold separately)
P/N 08U25-S9V-110

Ashtray
 (Cannot be installed if the vehicle you are working on is equipped with the navigation system.)

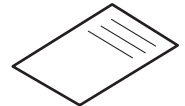


Ashtray (sold separately)
P/N 08U25-S3Y-102

Ashtray



Owner's manual



TOOLS AND SUPPLIES REQUIRED

- #2 Phillips screwdriver
- Flat-tip screwdriver
- Stubby Phillips screwdriver
- Electrical tape
- Utility knife
- Shop towel
- Isopropyl alcohol

INSTALLATION

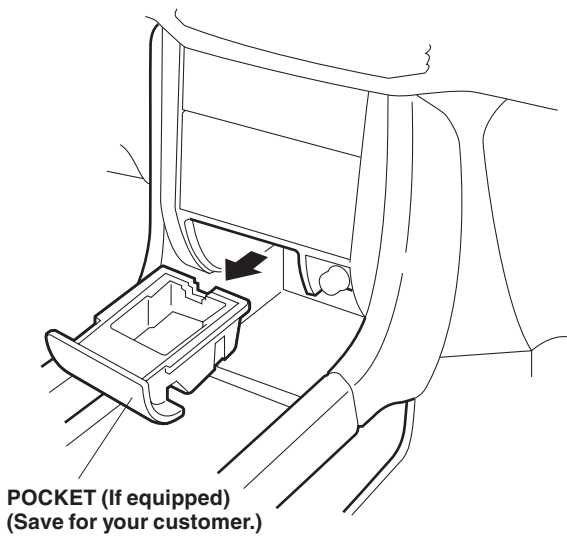
Customer Information: The information in this installation instruction is intended for use only by skilled technicians who have the proper tools, equipment, and training to correctly and safely add equipment to your vehicle. These procedures should not be attempted by "do-it-yourselfers."

These instructions cover the following three models. Follow the correct procedures for the model on which you are working.

- EX-L (RES)
- EX-L (NAVI) Models (Refer to page 5)
- LX/EX/EX-L Models (Refer to page 7)

● **EX-L (RES) Model**

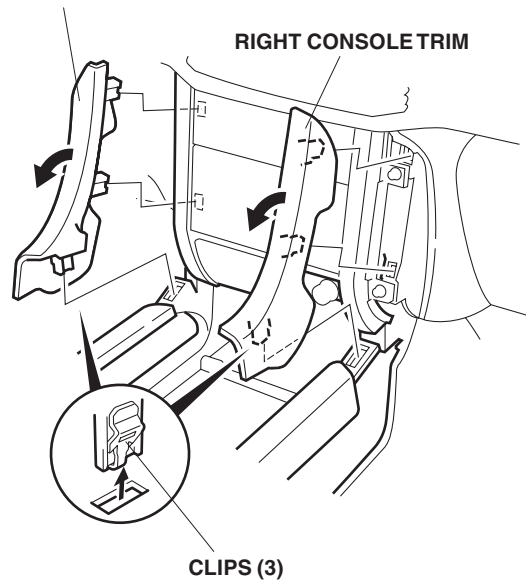
1. If the vehicle you are working on is equipped with the pocket, remove the it. Save the it for your customer.



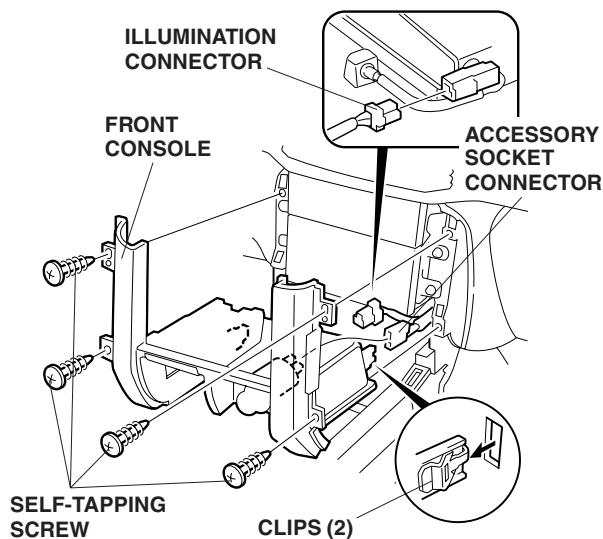
If you're only installing an ashtray, go to step 22; otherwise continue with step 2.

2. Make sure you have the anti-theft code for the radio, then write down the frequencies for the preset buttons.
3. Disconnect the negative cable from the battery.
4. Pull the upper ends of the right console trim out toward you to release the two upper clips first, then the bottom clip. Remove the left console trim.

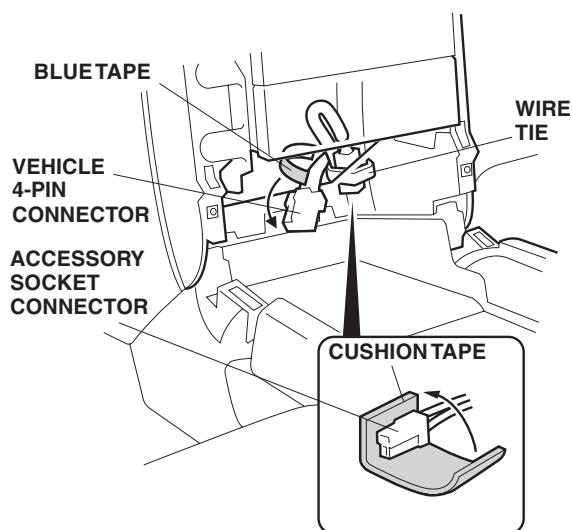
LEFT CONSOLE TRIM



- Remove the four self-tapping screws securing the front console.

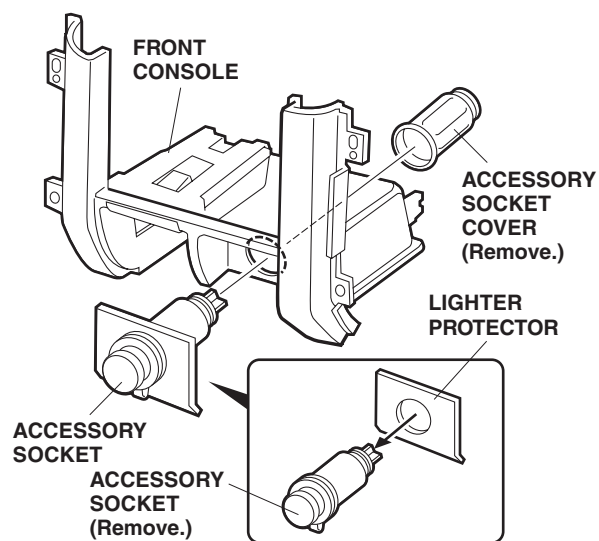


- Pull out and remove the front console by releasing the two clips, and unplugging the accessory socket and illumination connectors, and remove the front console.
- Locate the 4-pin connector blue-taped to the vehicle harness, and remove the tape to free the connector.

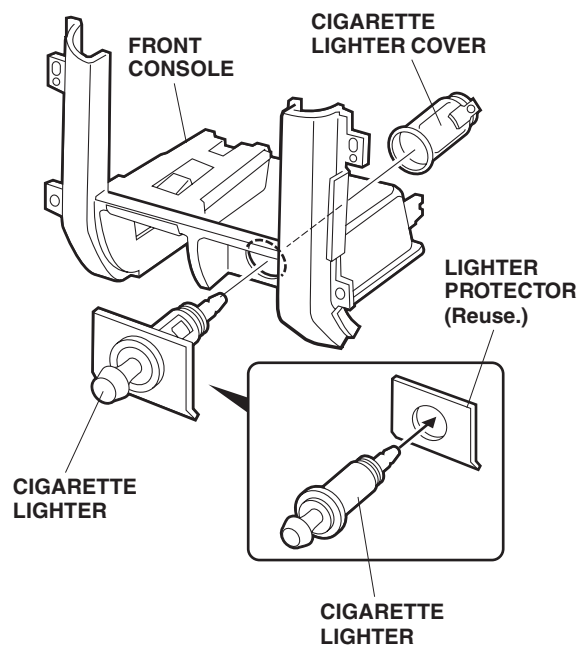


- Wrap the cushion tape around the accessory socket connector, and secure it to the vehicle harness with one wire tie.

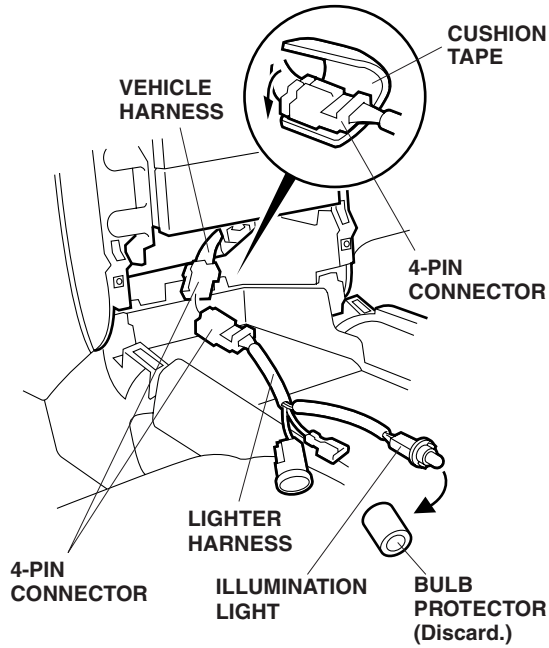
- Remove the accessory socket cover from the accessory socket by turning it counterclockwise, and remove it from the front console.



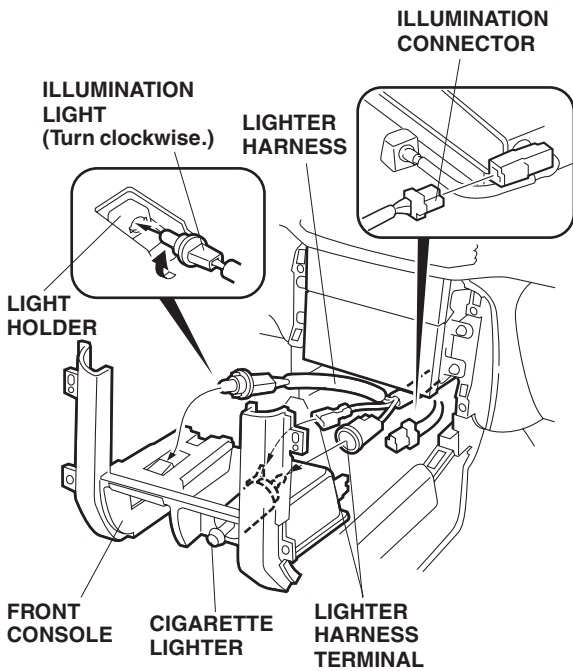
- Remove the accessory socket from the lighter protector.
- Separate the lighter cover from the cigarette lighter. Install the cigarette lighter into the lighter protector removed in step 10, then install them through the hole in the front console.



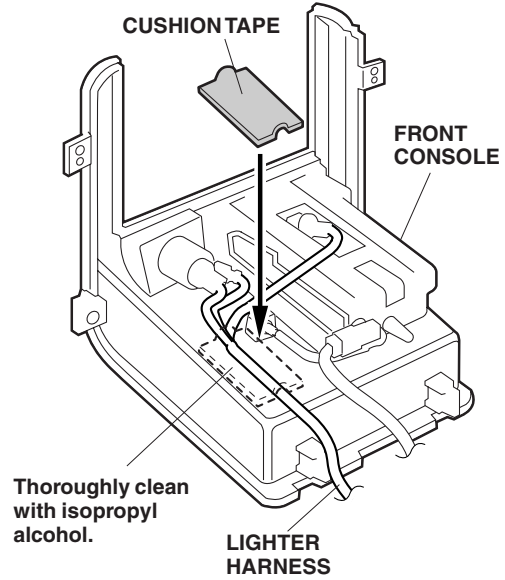
- Remove the bulb protector from the illumination light on the lighter harness.



- Plug the lighter harness 4-pin connector into the 4-pin connector of the vehicle harness, and wrap the cushion tape around the connectors.
- Connect the lighter harness terminals into the cigarette lighter; push the illumination light into the light holder on the front console. Reconnect the illumination connector.

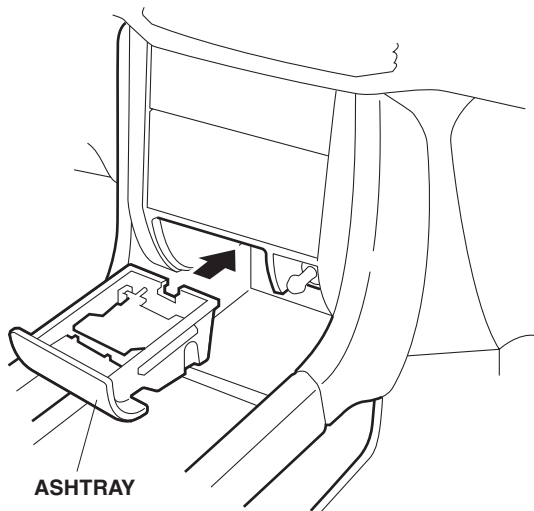


- Using isopropyl alcohol on a shop towel, clean the area where the cushion tape will attach. Secure the lighter harness to the front console with the cushion tape in the area shown.



- Reinstall the front console.
- Reinstall the console trim pieces.
- Reconnect the negative cable to the battery.
- Check that the cigarette lighter heats properly when pressed in.
- Enter the customer's radio anti-theft code, and reset the radio station preset buttons.
- Reset the clock.

22. Install the ashtray.



23. Open and close the ashtray several times to ensure that it works properly.

24. Put the pocket in the glove box.

NOTE: Whenever the battery is disconnected, the driver's window AUTO function is disabled.

25. Start the engine. Push down on the driver's window switch until the window is fully open.

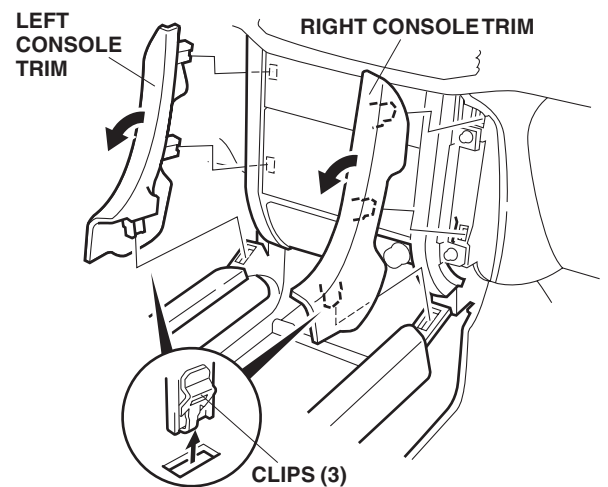
26. Pull up on the driver's window switch to close the window completely, then hold the switch for 2 seconds.

27. Lower and raise the window to check operation of the driver's window AUTO function.

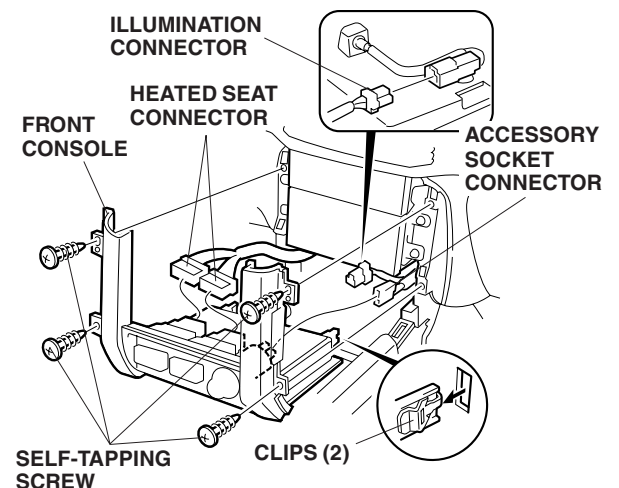
● EX-L (NAVI) Models

If you're only installing an ashtray, go to step 22; otherwise continue with step 1.

1. Make sure you have the anti-theft code for the radio, then write down the frequencies for the preset buttons.
2. Disconnect the negative cable from the battery.
3. Pull the upper ends of the right console trim out toward you to release the two upper clips first, then the bottom clip. Remove the left console trim.

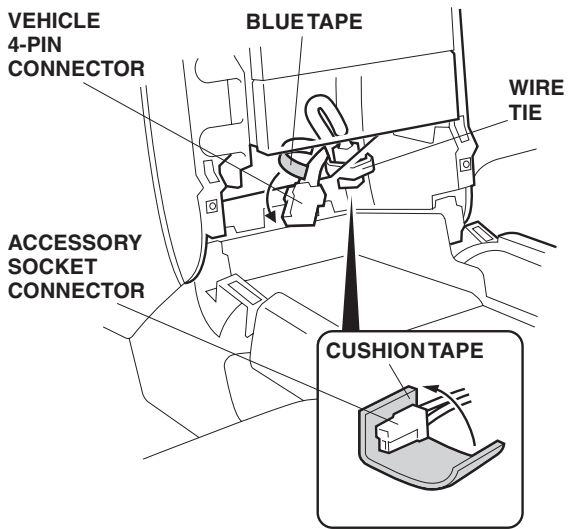


4. Remove the four self-tapping screws securing the front console.

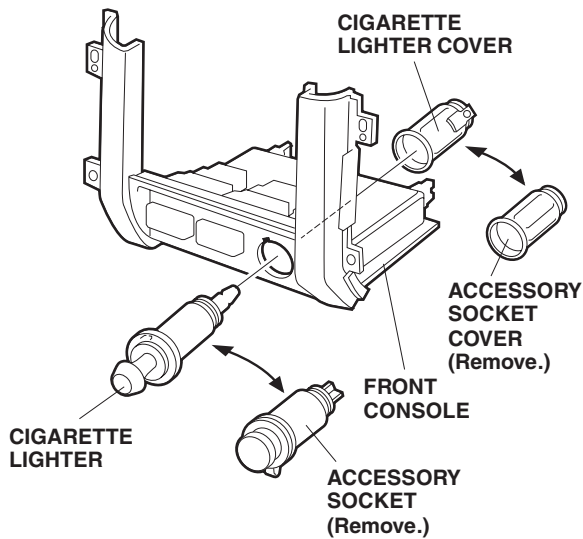


5. Pull out and remove the front console by releasing the two clips, and unplug the accessory socket connector, illumination connector and two heated seat connectors, then remove the front console.

6. Locate the 4-pin connector blue-taped to the vehicle harness, and remove the tape to free the connector.

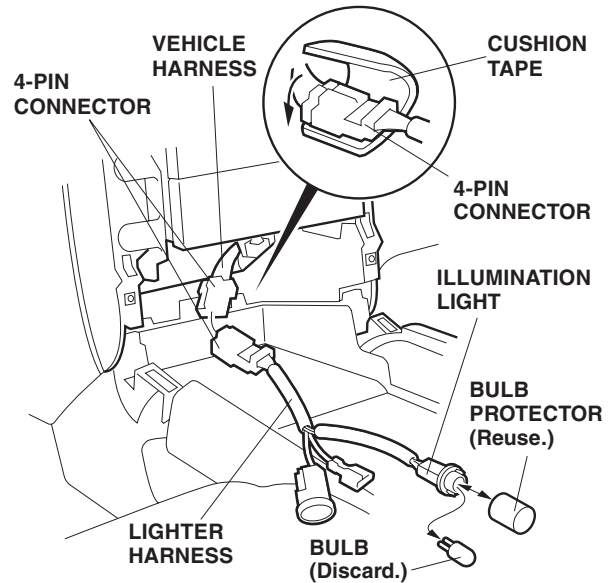


7. Wrap the cushion tape around the accessory socket connector, and secure it to the vehicle harness with one wire tie.
8. Remove the accessory socket cover from the accessory socket by turning it counterclockwise, and remove it from the front console.

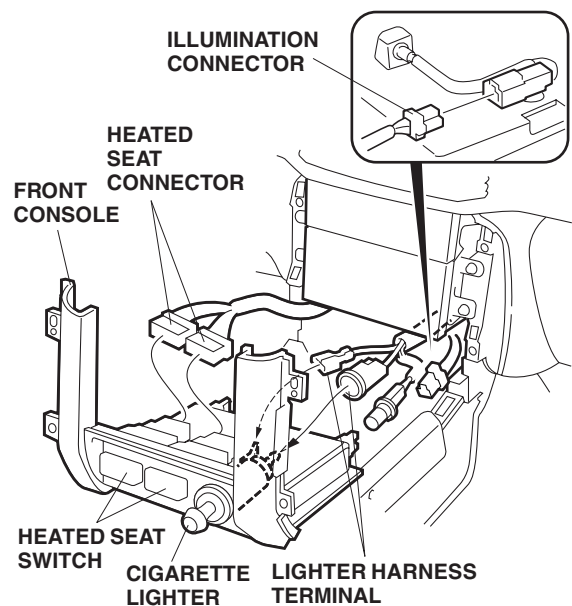


9. Separate the lighter cover from the cigarette lighter, then install them through the hole in the front console.

10. Remove the bulb protector from the illumination light on the lighter harness.

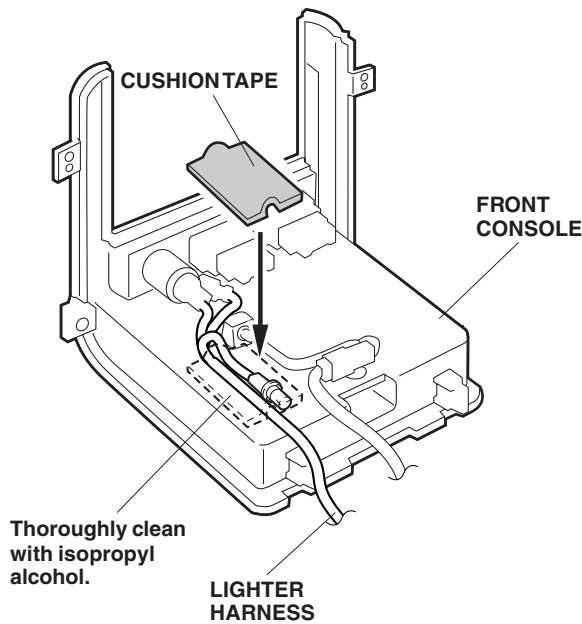


11. Remove the bulb from the illumination light, and reinstall the bulb protector.
12. Plug the lighter harness 4-pin connector into the 4-pin connector of the vehicle harness, and wrap the cushion tape around the connectors.
13. Connect the lighter harness terminals into the cigarette lighter. Reconnect the illumination connector.



14. Plug the two heated seat connectors into the heated seat switches.

- Using isopropyl alcohol on a shop towel, clean the area where the cushion tape will attach. Secure the lighter harness to the front console with the cushion tape in the area shown.

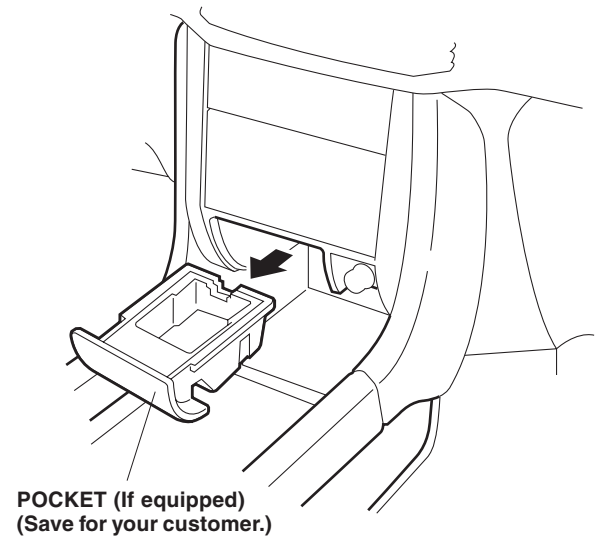


- Reinstall the front console.
- Reinstall the console trim pieces.
- Reconnect the negative cable to the battery.
- Check that the cigarette lighter heats properly when pressed in.
- Enter the customer's radio anti-theft code, and reset the radio station preset buttons.
- Reset the clock.
- Install the ashtray (P/N 08U25-S3Y-102) which is sold separately according to the Owner's Manual furnished with the ashtray.

NOTE: Whenever the battery is disconnected, the driver's window AUTO function is disabled.
- Start the engine. Push down on the driver's window switch until the window is fully open.
- Pull up on the driver's window switch to close the window completely, then hold the switch for 2 seconds.
- Lower and raise the window to check operation of the driver's window AUTO function.

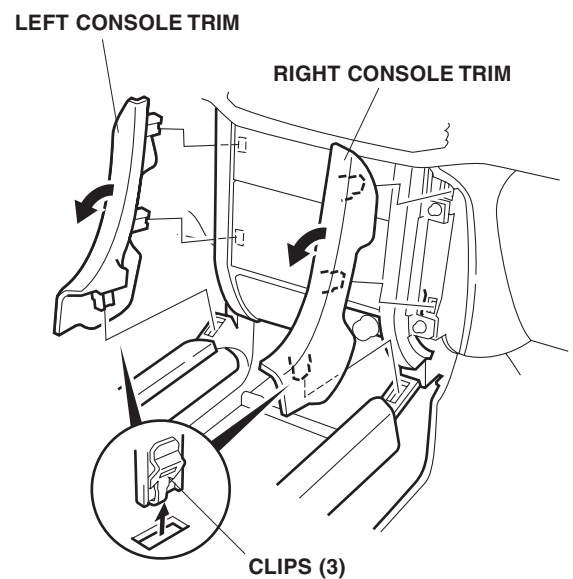
● **LX/EX/EX-L Models**

- If the vehicle you are working on is equipped with the pocket, remove the it. Save the it for your customer.

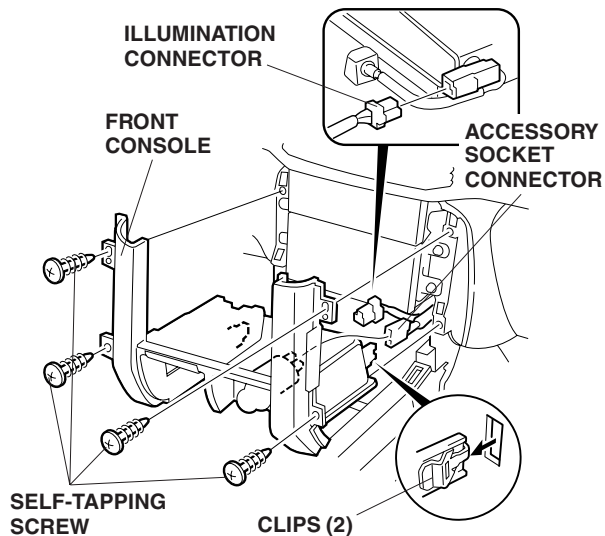


If you're only installing an ashtray, go to step 23; otherwise continue with step 2.

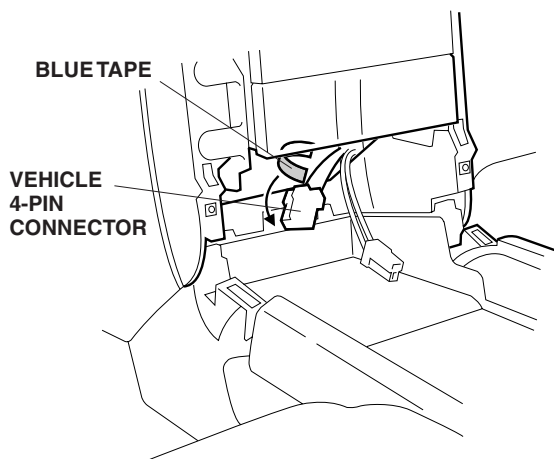
- Make sure you have the anti-theft code for the radio, then write down the frequencies for the preset buttons.
- Disconnect the negative cable from the battery.
- Pull the upper ends of the right console trim out toward you to release the two upper clips first, then the bottom clip. Remove the left console trim.



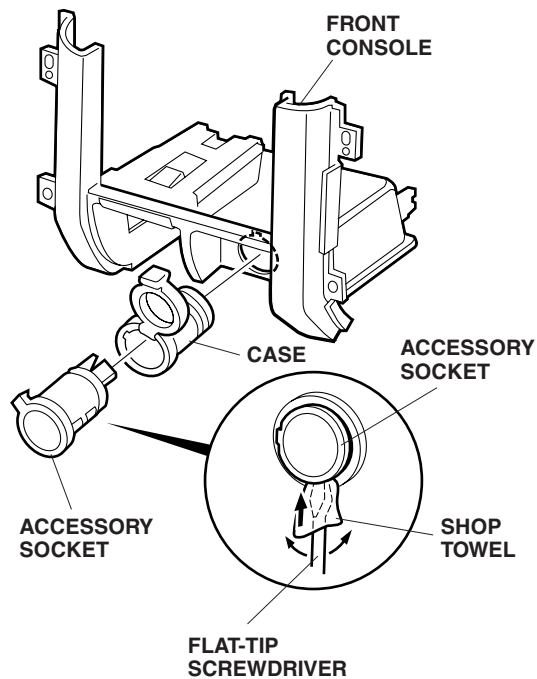
- Remove the four self-tapping screws securing the front console.



- Pull out and remove the front console by releasing the two clips, and unplugging the accessory socket and illumination connectors, and remove the front console.
- Locate the 4-pin connector blue-taped to the vehicle harness, and remove the tape to free the connector.

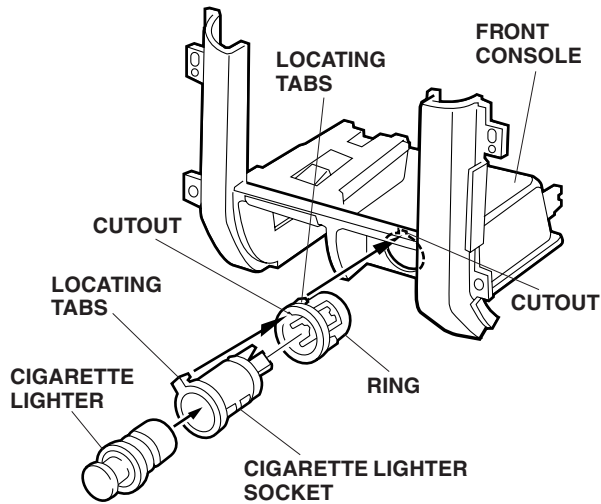


- Open the accessory socket lid and remove the socket from the case by inserting a flat-tip screwdriver between them and prying the socket out from the case. To prevent damage, use a shop towel around the end of the flat-tip screwdriver.

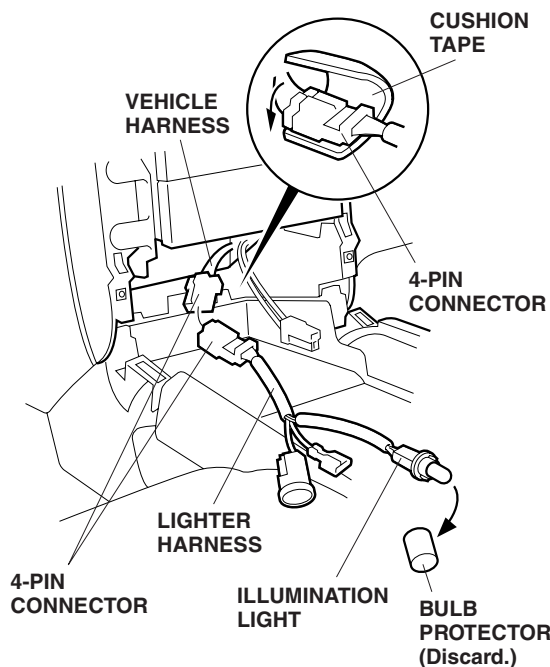


- Remove the case from the front console by inserting a flat-tip screwdriver between the case and front console and prying the case out from the console.

- Slide the cigarette lighter socket into the ring by aligning its locating tab with the cutout in the ring.

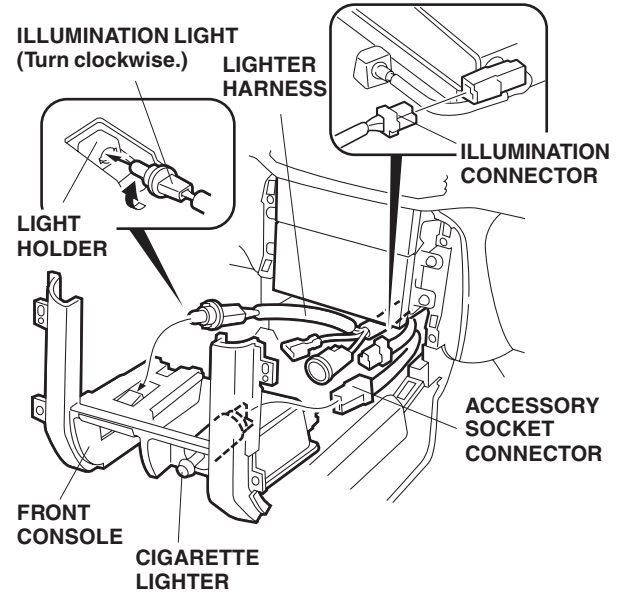


- Install the ring in the hole in the front console by aligning its locating tab with the cutout in the console.
- Slide the cigarette lighter into the cigarette lighter socket.
- Remove the bulb protector from the illumination light on the lighter harness.

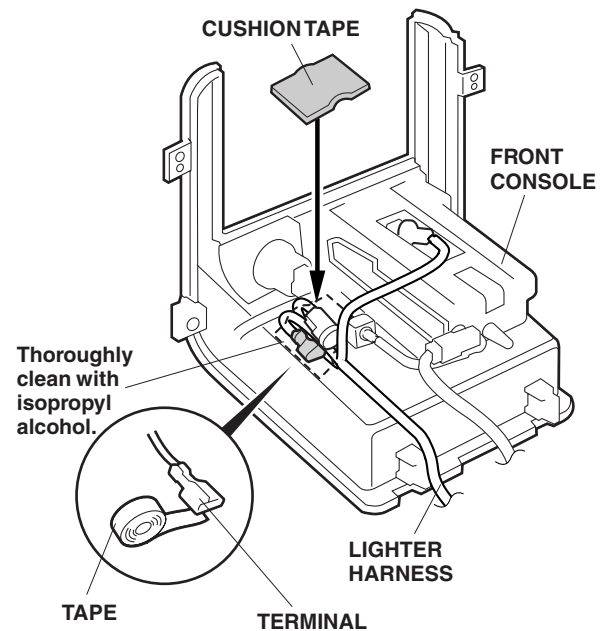


- Plug the lighter harness 4-pin connector into the 4-pin connector of the vehicle harness, and wrap the cushion tape around the connectors.

- Connect the accessory socket connector into the cigarette lighter. Push the lighter harness illumination light into the light holder on the front console. Reconnect the illumination connector.

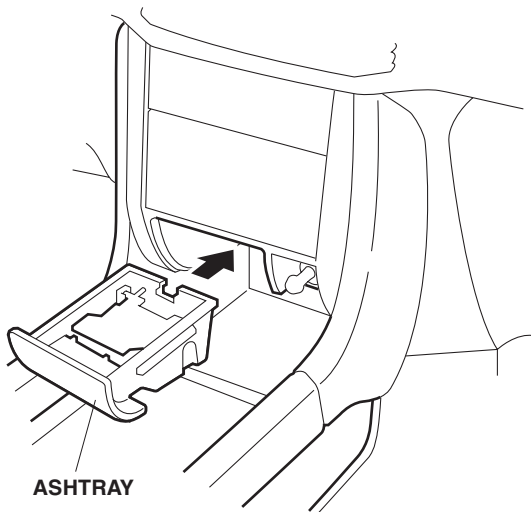


- Wrap the tape around the terminal of the lighter harness.



- Using isopropyl alcohol on a shop towel, clean the area where the cushion tape will attach. Secure the lighter harness to the front console with the cushion tape in the area shown.

18. Reinstall the front console.
19. Reinstall the console trim pieces.
20. Reconnect the negative cable to the battery.
21. Check that the cigarette lighter heats properly when pressed in.
22. Enter the customer's radio anti-theft code, and reset the radio station preset buttons.
23. Reset the clock.
24. Install the ashtray.



25. Open and close the ashtray several times to ensure that it works properly.
26. Put the pocket in the glove box.
NOTE: Whenever the battery is disconnected, the driver's window AUTO function is disabled.
27. Start the engine. Push down on the driver's window switch until the window is fully open.
28. Pull up on the driver's window switch to close the window completely, then hold the switch for 2 seconds.
29. Lower and raise the window to check operation of the driver's window AUTO function.