



# INSTALLATION INSTRUCTIONS

Accessory  
**ROOF BAG**  
P/N 08L20-E09-100

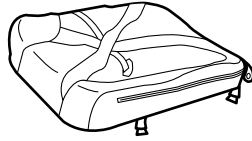
Application  
**2009 PILOT**

Publications No.  
**All 39493**  
Issue Date  
**MAY 2008**

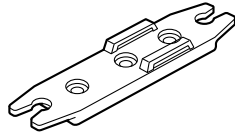
Keep this information in the glove box with the owner's manual of the vehicle.

## PARTS LIST

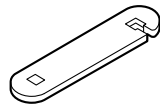
Roof bag



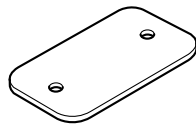
4 Brackets A



4 Brackets B



4 Plates A



8 Knobs



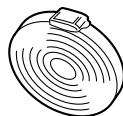
8 Bolts



8 Washers

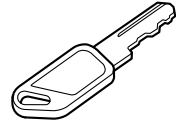
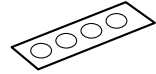


2 Straps

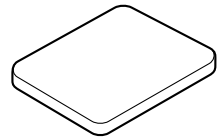


Seals

2 Keys



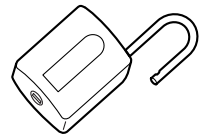
4 Large pads



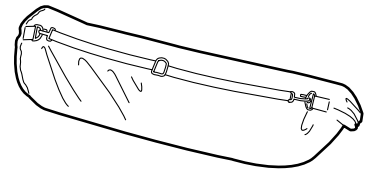
4 Small pads



Lock



Storage bag



## TOOLS AND SUPPLIES REQUIRED

Isopropyl alcohol

Shop towel

## INSTALLATION

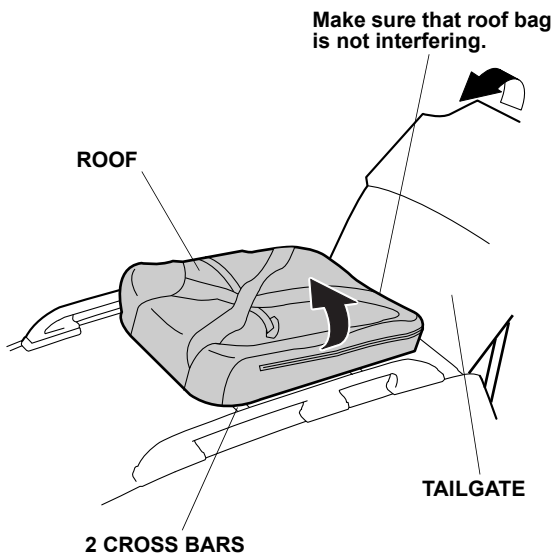
**Customer Information:** The information in this installation instruction is intended for use only by skilled technicians who have the proper tools, equipment, and training to correctly and safely add equipment to your vehicle. These procedures should not be attempted by “do-it-yourselfers.”

### NOTE:

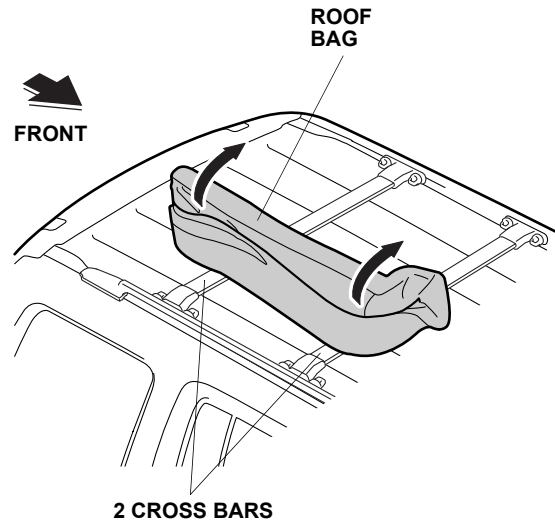
- This roof bag is designed to be used exclusively with the Cross Bar which is sold separately.
- Do not use non-Honda accessories, carriers or attachment sets with this roof bag kit.
- Install the roof bag after installing the Cross Bar on the roof.
- Do not damage the roof and other finished surfaces of the body when installing the roof bag.
- The maximum load capacity for the roof bag is 50 kg (110 lbs).
- The maximum load capacity for the roof racks varies from model to model. Check the vehicle Owner’s Manual, the roof rack installation instruction, or the load label on the rack for the roof rack load capacity.

### Installing the Roof Bag

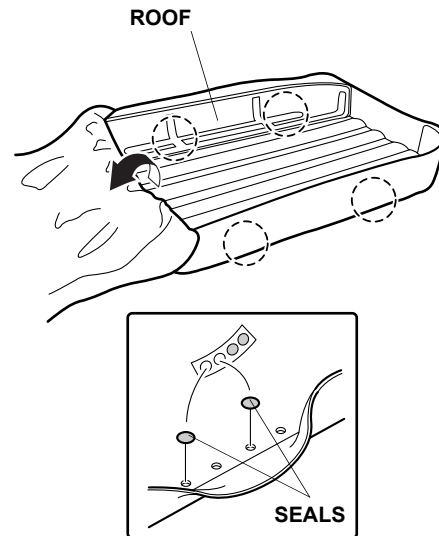
1. Open the tailgate to make sure that the roof bag is not interfering with the tailgate.



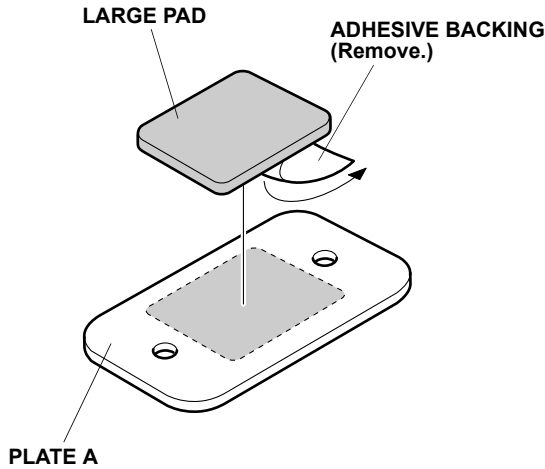
2. With the help from an assistant, carefully unfold the roof bag on the cross bars.



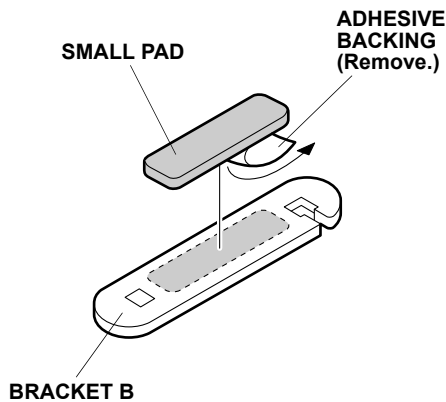
3. Attach the seals over the unused mounting holes on the roof bag as shown.



- Using an isopropyl alcohol on a shop towel, thoroughly clean the area where the large pad will attach.

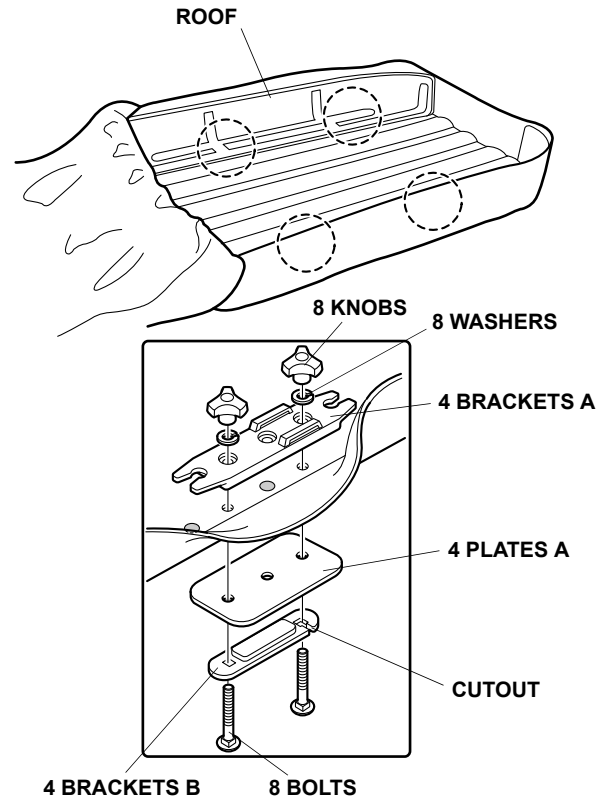


- Remove the adhesive backing from the large pad and attach it to the plate A.
- Repeat the same procedure for the other plates.
- Using an isopropyl alcohol on a shop towel, thoroughly clean the area where the small pad will attach.



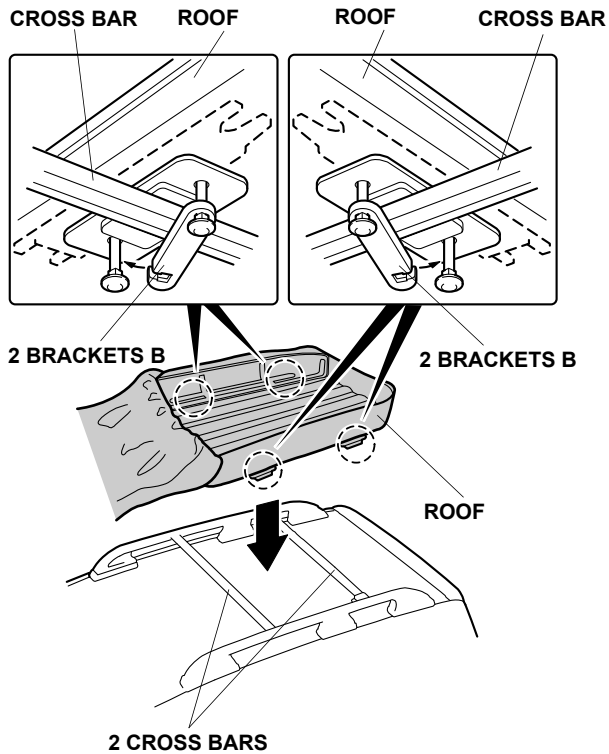
- Remove the adhesive backing from the small pad and attach it to the bracket B.
- Repeat the same procedure for the other brackets B.

- Position the brackets A to align the holes equally on both sides.

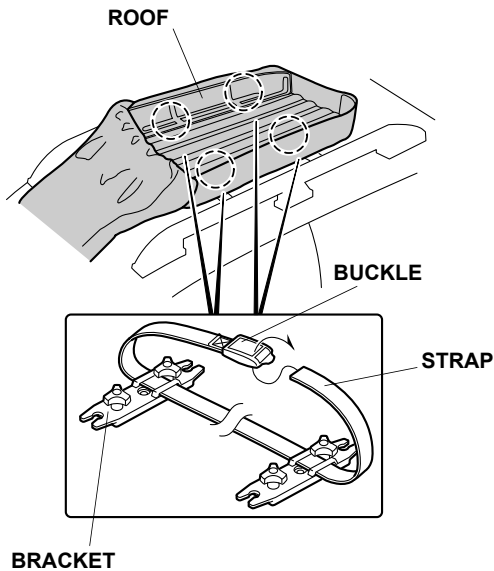


- Loosely install bracket A, four plates A, and bracket B to the roof bag with two bolts, two washers, and two knobs for each location shown. Be sure the cutout on bracket B is facing the outboard side of the vehicle.

- With the help from an assistant, carefully place the roof bag on the cross bar.

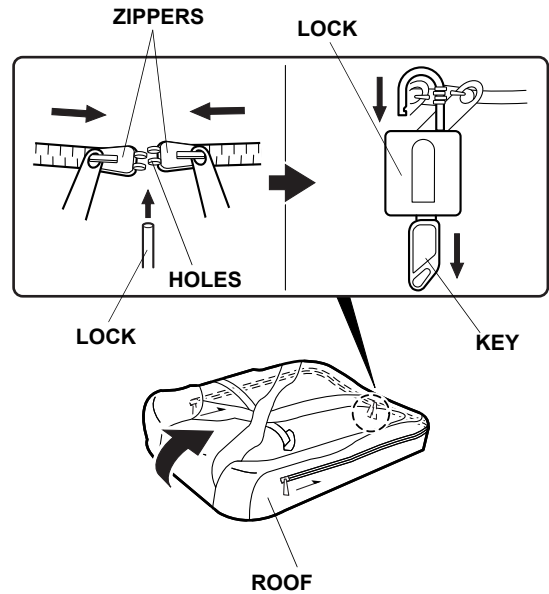


- Hook the cutout end of the bracket B to the bolts installed in step 11, and tighten the knob.
- Repeat the same procedure for the other brackets B.
- Route two straps through four brackets A and secure it at the buckles.

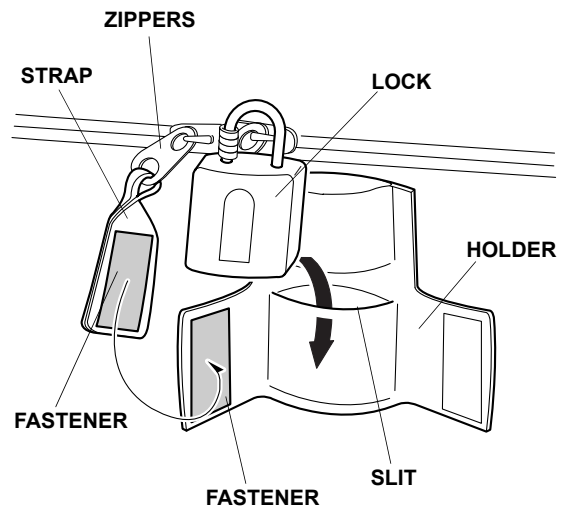


## Securing the Roof Bag

- Close the roof bag.

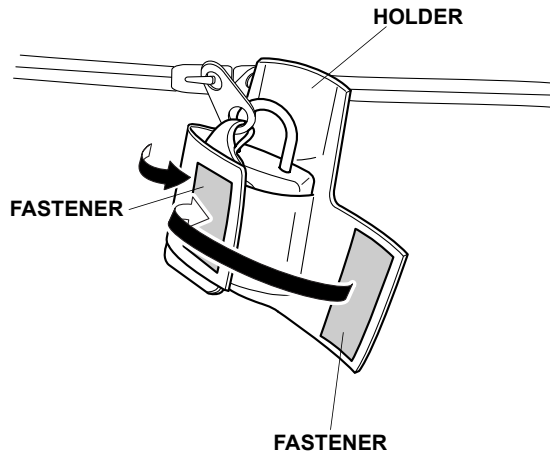


- Align the holes on the zippers and insert the lock through the holes.
- Secure the lock and pull out the key from the lock.
- Insert the lock into the slit on the holder.

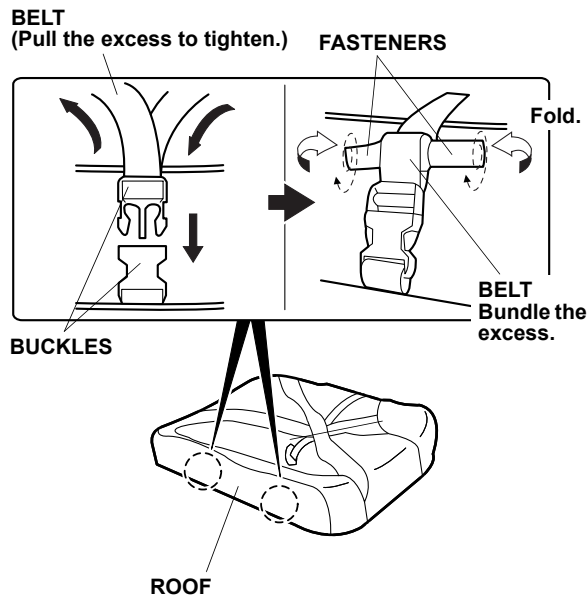


- Attach the fastener on the strap to the fastener on the holder.

21. Secure the fasteners on the holder as shown.



22. Secure two buckles on the roof bag and pull the excess belt on the buckles to tighten.



23. Bundle the excess belts on the buckles as shown and fold the fasteners inward to secure the belts on the buckles.

## USE AND CARE

- Load the weight equally on both sides to minimize imbalance.
- Do not overload the roof bag.
- Addition of the roof bag on the vehicle raises the overall height of the vehicle. Pay attention to overhead obstacles when driving with the roof bag.
- Before driving, after driving, or after loading weight in the roof bag, check the security of the attachment mounts and retighten them as necessary.

## PRECAUTION

Before driving, check that the roof bag is locked securely regardless of whether or not weight is loaded in the roof bag.

## IMPORTANT INFORMATION

- Avoid sudden starts or stops with the roof bag on the vehicle. It may cause bolts and other fasteners to loosen.
- Be sure to check all fixations for tightness at regular intervals during travel.
- Max loading 50 kg (110 lbs). If the vehicle manufacturer recommend lower maximal roof load, it's always the lowest load that applies.
- This bag is water resistant. Cargo should be packed in plastic bags if experiencing extreme weather conditions.
- Zippers closing should always be faced back of the vehicle.
- Avoid removing bag from the roof while fully loaded.
- For cleaning, a damp sponge works best using only water with a mild detergent which contains no additives (such as alcohol, chlorine or ammonia) as these could discolor the bags surface. Allow to air dry completely.