



# INSTALLATION INSTRUCTIONS

Accessory  
**FENDER TRIM**  
P/N 08P21-SZA-100

Application  
**2009 PILOT**

Publications No.  
**All 39455**  
Issue Date  
**MAY 2008**

NOTE: The fender trim cannot be installed on vehicles equipped with full nose mask.

## PARTS LIST

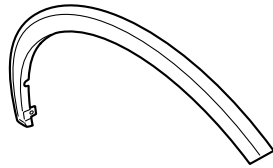
Right front bumper trim



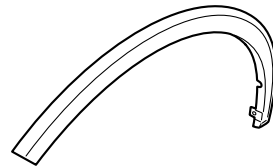
Left front bumper trim



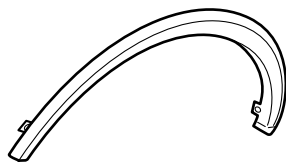
Right front fender trim



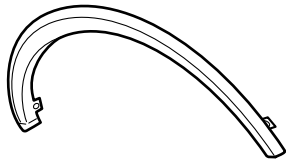
Left front fender trim



Right rear fender trim



Left rear fender trim



Right rear bumper trim



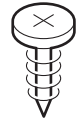
Left rear bumper trim



4 Spring nuts



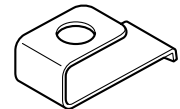
4 Self-tapping screws



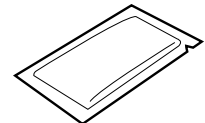
6 Clips



4 Brackets



10 Alcohol swabs



## TOOLS AND SUPPLIES REQUIRED

Masking tape

Rubber roller

P/N MHLE54D

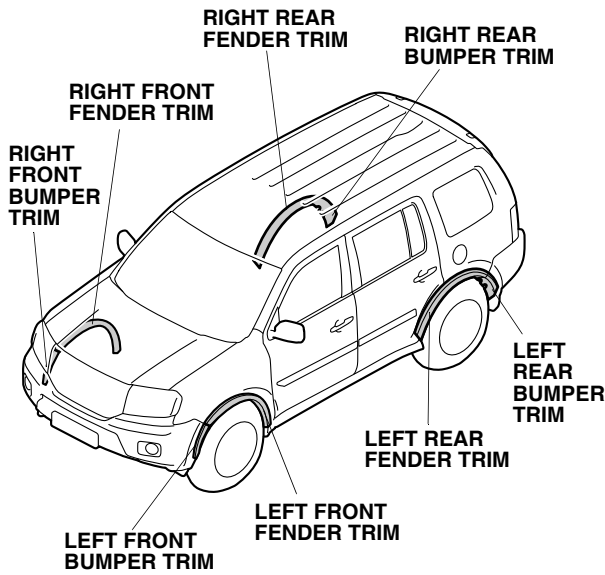
Stubby Phillips screwdriver

Pushpin

Shop towel

Needle nose pliers

**Illustration of the Fender Trim Kit Installed on the Vehicle**



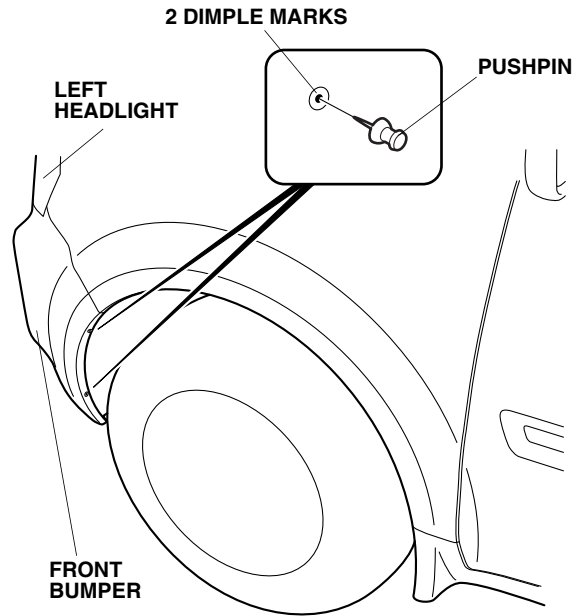
**INSTALLATION**

**Customer Information:** The information in this installation instruction is intended for use only by skilled technicians who have the proper tools, equipment, and training to correctly and safely add equipment to your vehicle. These procedures should not be attempted by “do-it-yourselfers.”

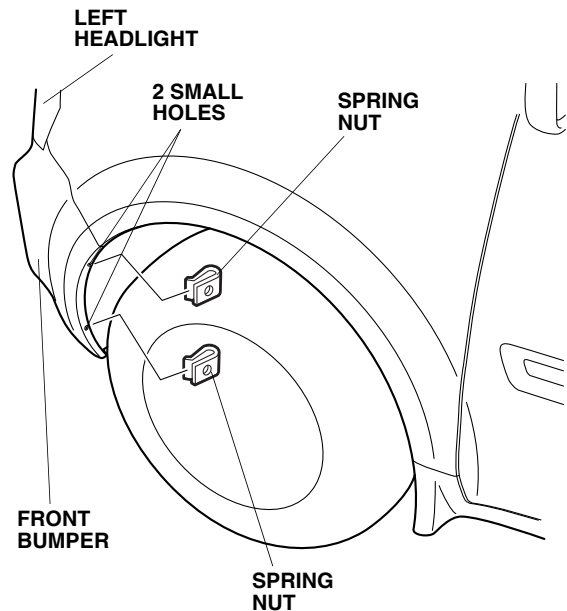
- Be careful not to damage the body paint finish.
- This body fender trim kit should be installed only if the ambient air temperature is above 15°C (60°F).
- To allow the adhesive to cure, do not wash the vehicle for 24 hours.
- These instructions show the fender trim being installed on the left side of the vehicle; the same procedure applies to installing the fender trim on the right side of the vehicle.

**Installing the Left Front Bumper Trim and the Left Front Fender Trim**

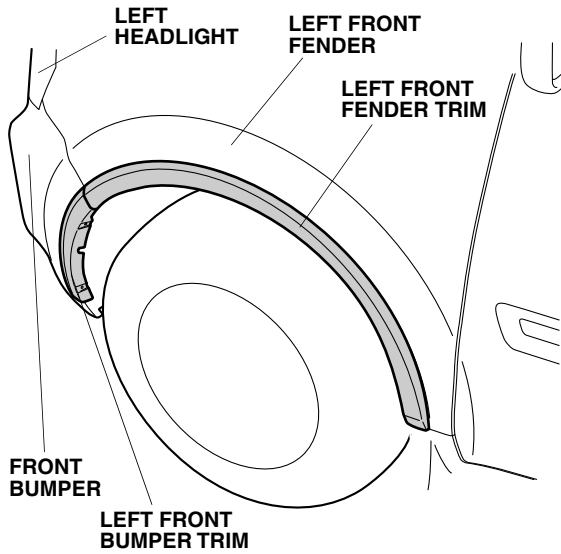
1. Using a pushpin, make small holes through the center of the two dimple marks in the front bumper.



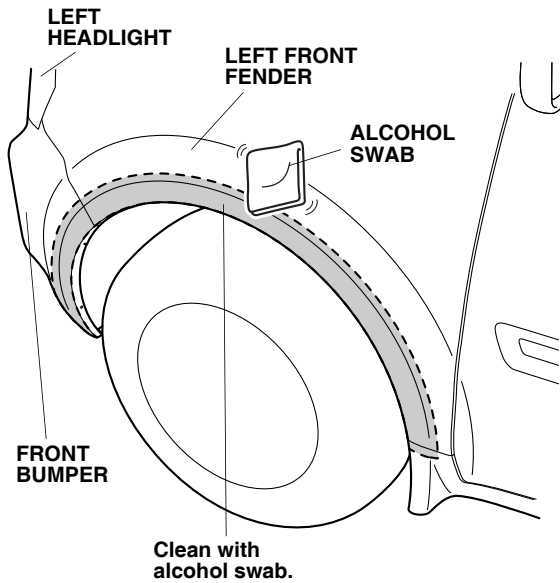
2. Slide the two spring nuts over the two small holes you made in step 1.



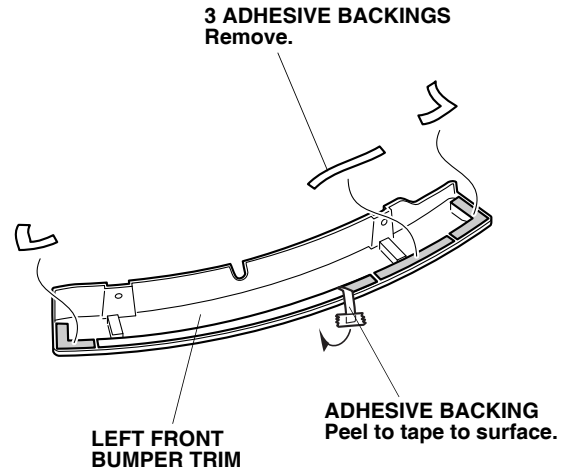
- Position the left front bumper trim and the left front fender trim to the front bumper and the left front fender.



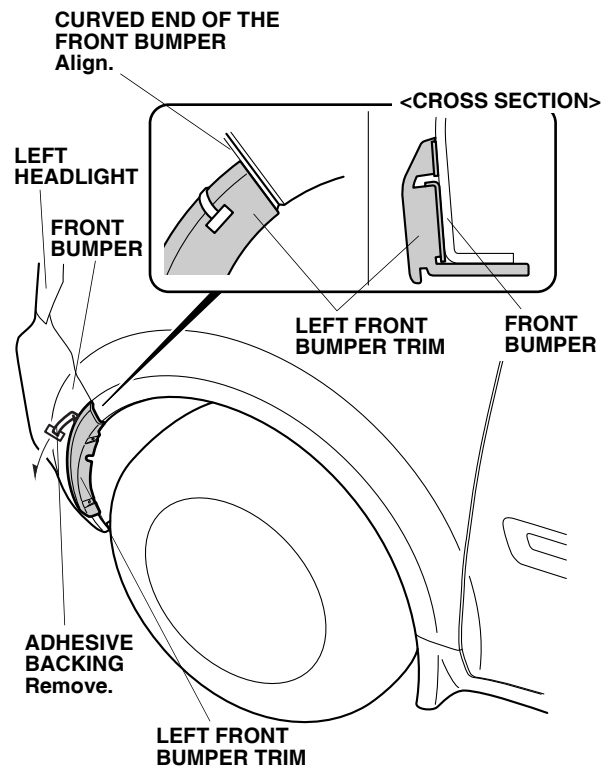
- Using an alcohol swab, thoroughly clean the area where the left front bumper trim and the left front fender trim will be attached.



- Peel back 1 to 1½ inches of the adhesive backing from the upper part of the left front bumper trim, and tape it to the surface. Remove the remaining adhesive backings from the left front bumper trim.

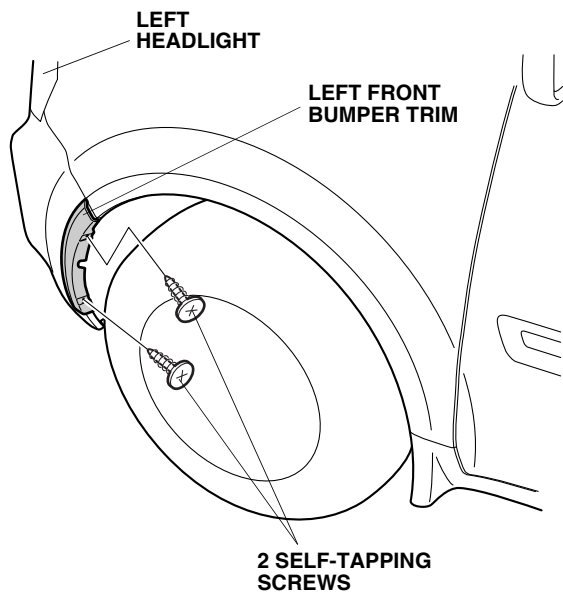


- Align the edge of the left front bumper trim with the curved end of the front bumper as shown.

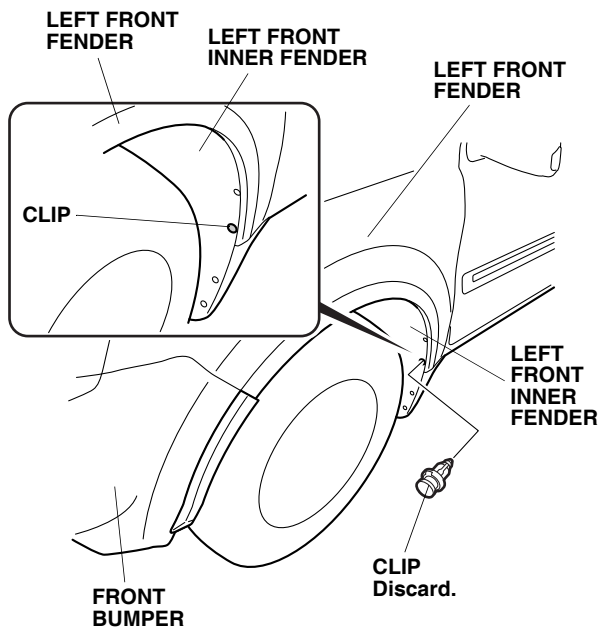


- Attach the left front bumper trim to the front bumper. While applying light pressure to the left front bumper trim, carefully remove the taped adhesive backing.

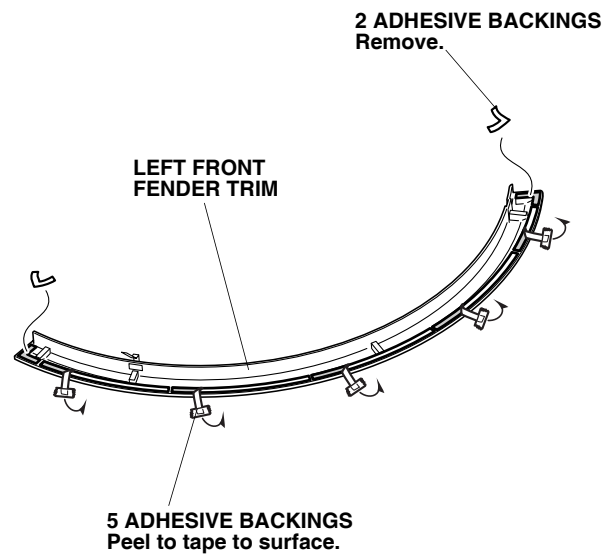
- Install the two self-tapping screws at the left front bumper trim.



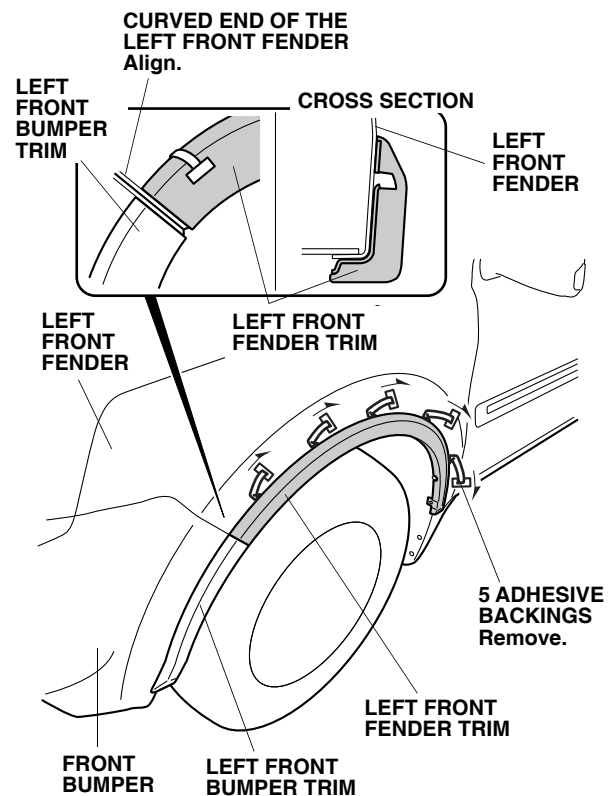
- Remove the clip from the left front inner fender as shown.



- Peel back 1 to 1½ inches of the five adhesive backings from the upper part of the left front fender trim, and tape them to the surface. Remove the remaining adhesive backings from the left front fender trim.

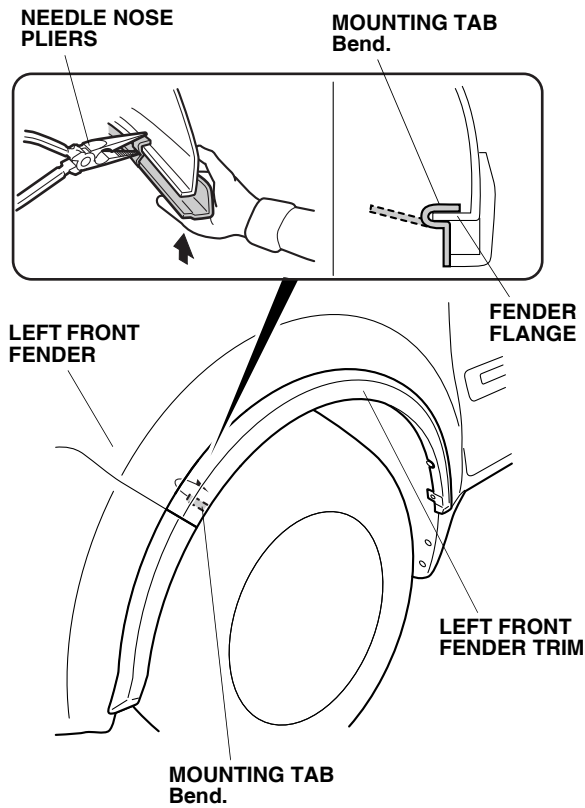


- Align the edge of the left front fender trim with the curved end of the left front fender as shown.

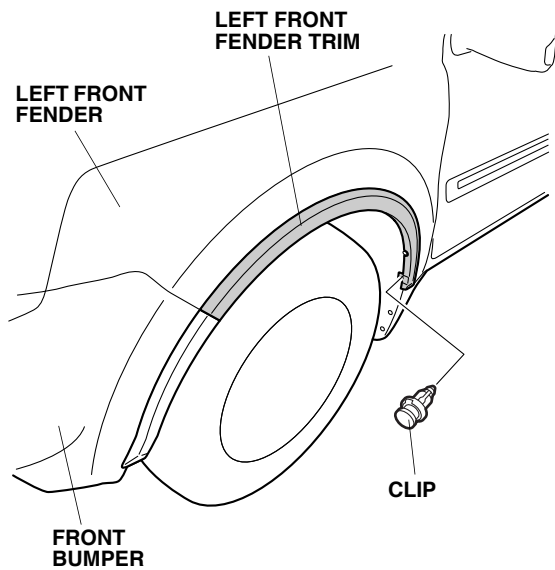


- Attach the left front fender trim to the left front fender. While applying light pressure against the left front fender trim, and carefully remove the taped adhesive backings.

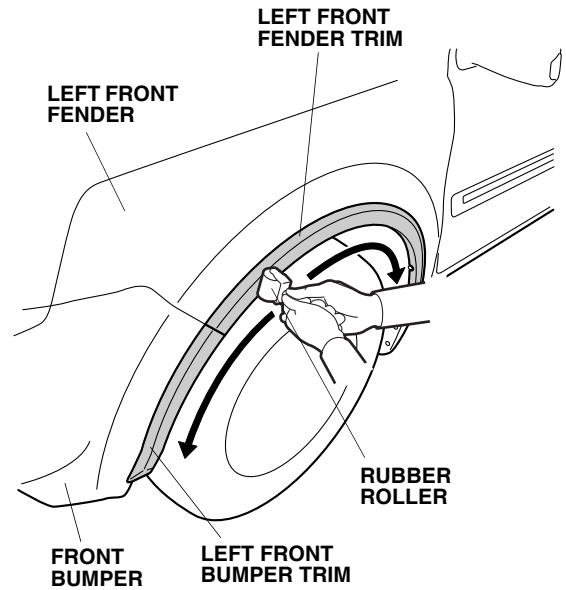
- Hold the left front fender trim upward and bend the mounting tab around the left front fender. Using needle nose pliers over a shop towel, bend the mounting tab around the fender flange.



- Install the new clip at the left front fender trim.

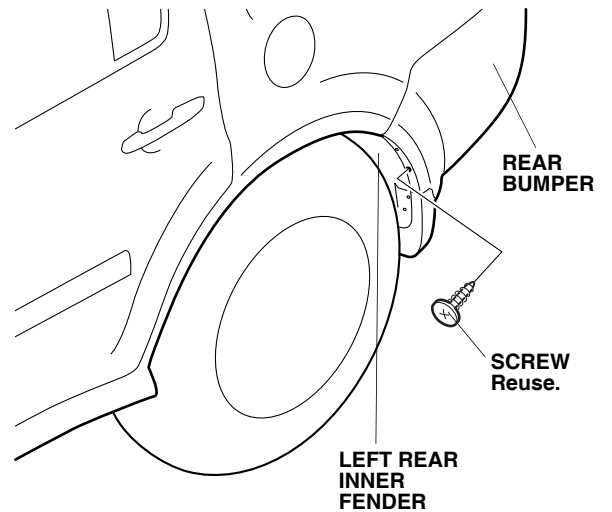


- Using a rubber roller, apply pressure against the left front fender trim and left front bumper trim, and roll from one end to the other.

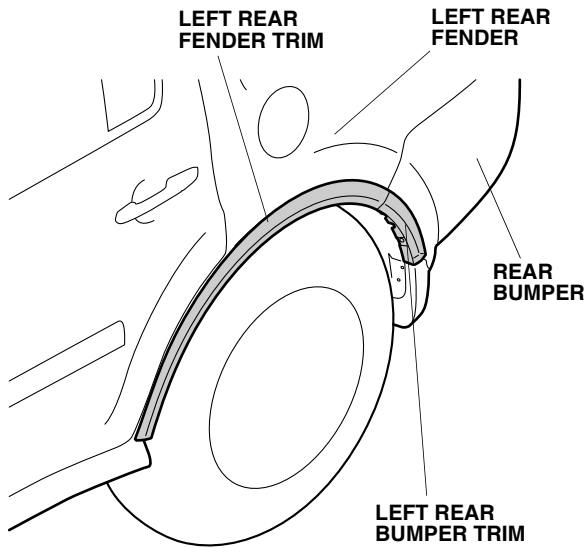


#### Installing the Left Rear Fender Trim and the Left Rear Bumper Trim

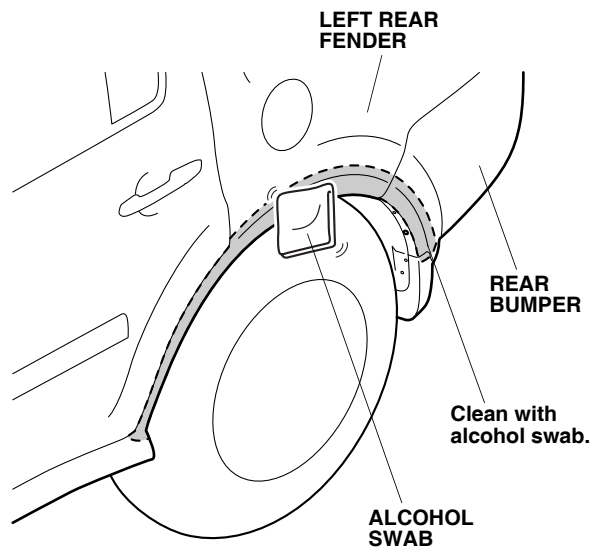
- Remove the screw from the left rear inner fender as shown.



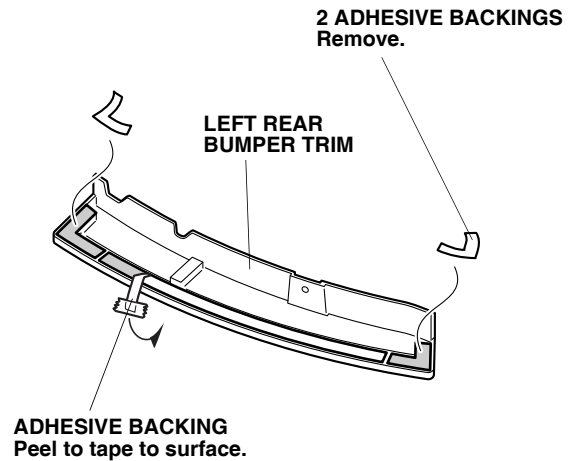
17. Position the left rear bumper trim and the left rear fender trim to the rear bumper and the left rear fender.



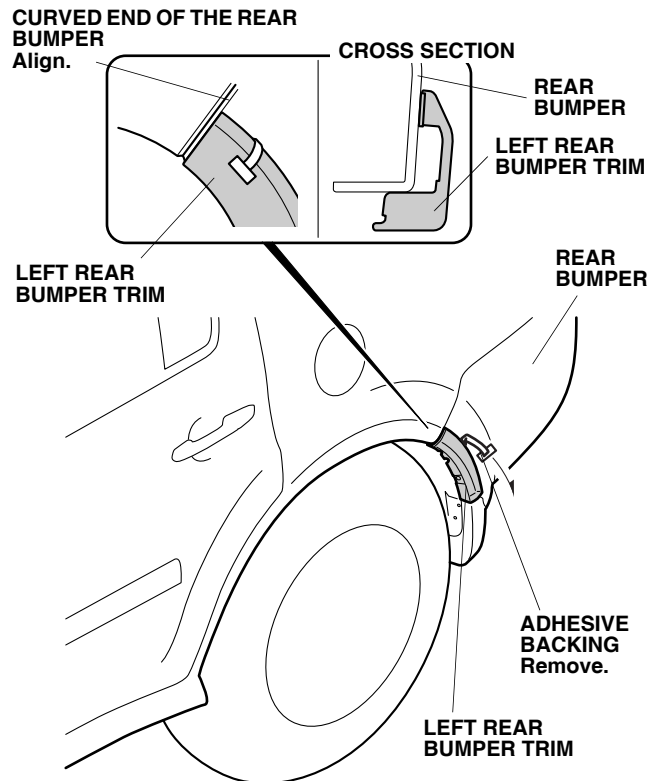
18. Using an alcohol swab, thoroughly clean the area where the left rear bumper trim and the left rear fender trim will be attached.



19. Peel back 1 to 1½ inches of the adhesive backing from the upper part of the left rear bumper trim, and tape it to the surface. Remove the remaining adhesive backings from the left rear bumper trim.

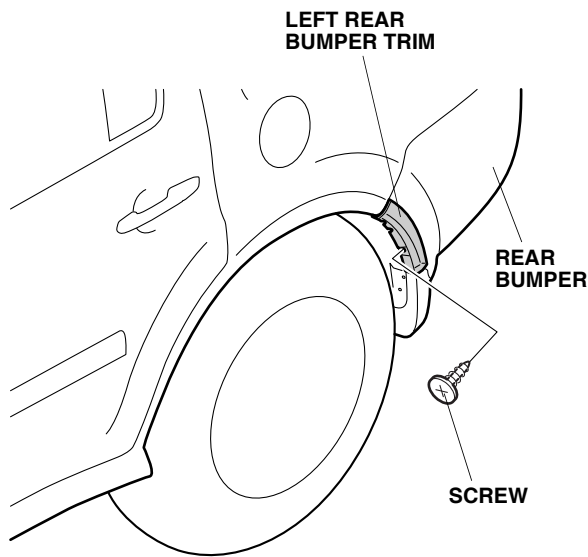


20. Align the edge of the left rear bumper trim with the curved end of the rear bumper as shown.

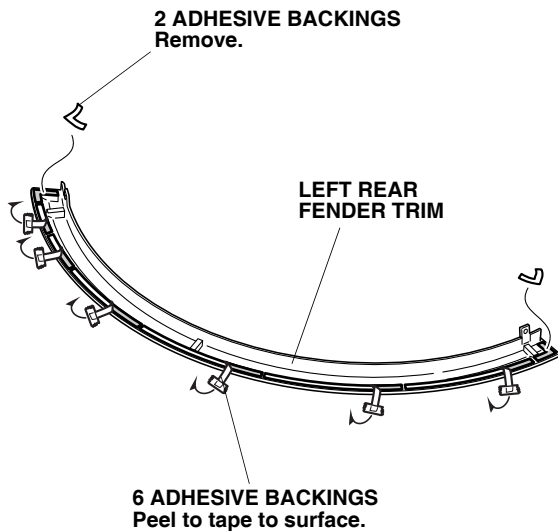


21. Attach the left rear bumper trim to the rear bumper. While applying light pressure on the left rear bumper trim, carefully remove the taped adhesive backing.

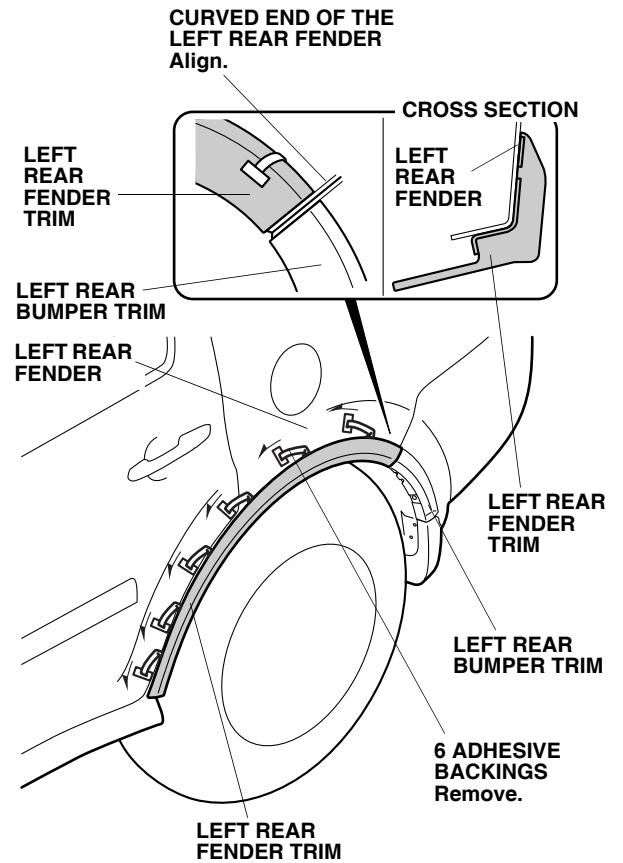
22. Install the screw removed in step 16 at the left rear bumper trim.



23. Peel back 1 to 1½ inches of the six adhesive backings from the upper part of the left rear fender trim, and tape them to the surface. Remove the remaining adhesive backings from the left rear fender trim.

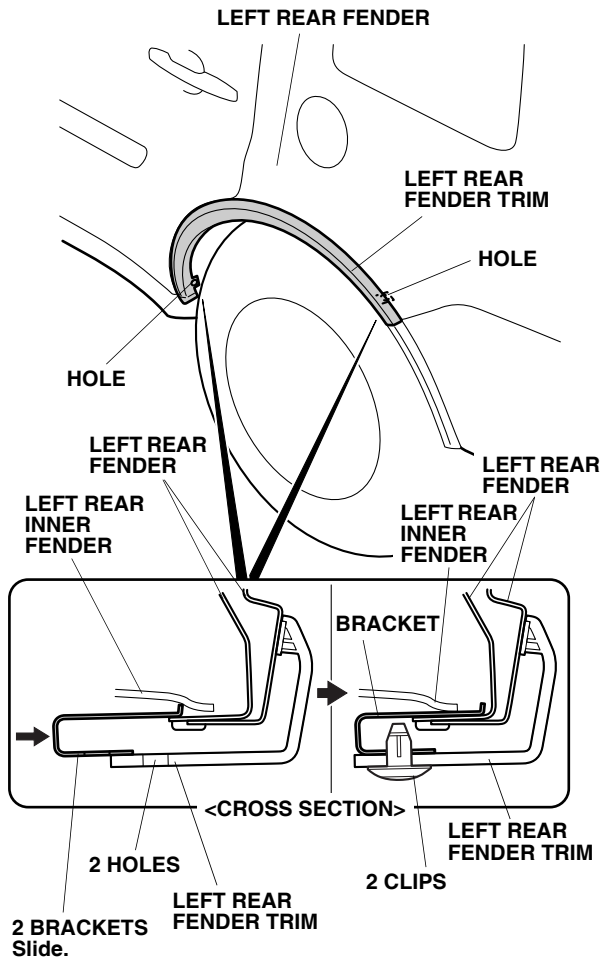


24. Align the edge of the left rear fender trim with the curved end of the left rear fender as shown.



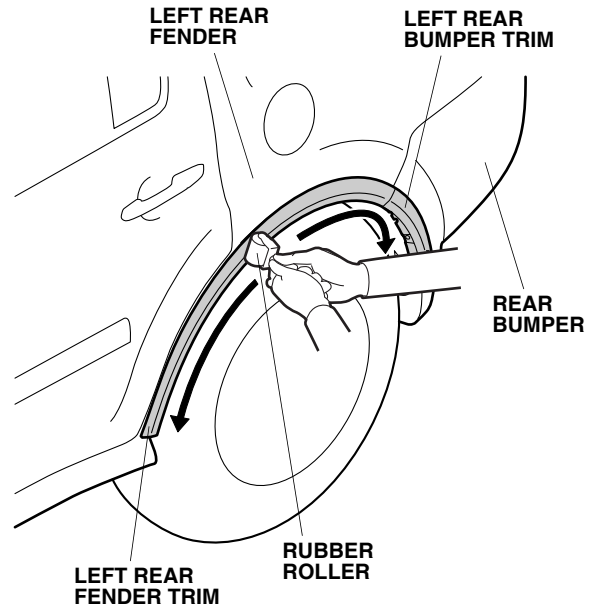
25. Attach the left rear fender trim to the left rear fender. While applying light pressure against the left rear fender trim, and carefully remove the taped adhesive backings.

26. Slide the two brackets between the left rear fender trim and left rear inner fender as shown.



27. Install the two new clips at the left rear fender trim as shown.

28. Using a rubber roller, apply pressure against the left rear fender trim and left rear bumper trim, and roll from one end to the other.



29. Repeat steps 1 thru 28 on the right side.