

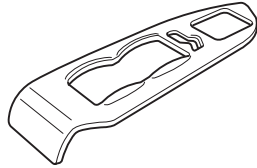


# INSTALLATION INSTRUCTIONS

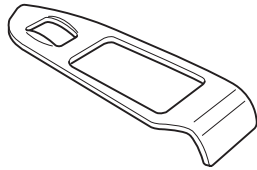
Accessory <b>WOOD-GRAIN TRIM PANEL - INTERIOR</b> P/N 08Z03-S9V-100A	Application <b>PILOT</b>	Publications No. <b>All 23636</b>
		Issue Date <b>MAY 2002</b>

## PARTS LIST

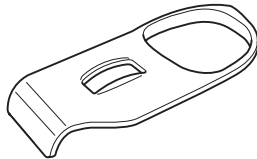
Driver's front door switch trim



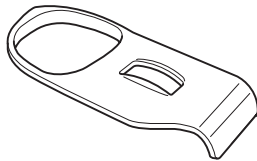
Passenger's front door switch trim



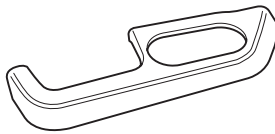
Driver's side rear door switch trim



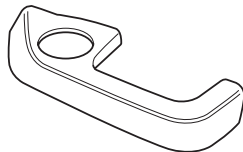
Passenger's side rear door switch trim



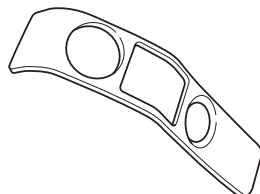
Driver's rear side switch trim



Passenger's rear side switch trim



Console trim



## SUPPLIES REQUIRED

- Isopropyl alcohol
- Shop towel
- Masking tape

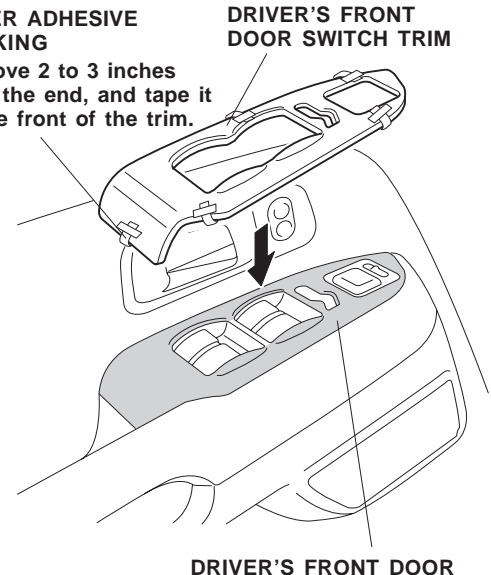
## INSTALLATION

NOTE: This wood trim kit should be installed only if the outside air temperature is 60°F (15°C) or above.

- Using isopropyl alcohol on a shop towel, thoroughly clean the areas where the wood-grain trims will attach.
- Attach a strip of masking tape to the end of each outer adhesive backing, and remove 2 to 3 inches of the adhesive backing. Fold the ends back, and tape them to the front of the trims. If necessary, remove and discard the inner adhesive backings.
- Position the trims on the existing panels. While applying light pressure on the trims, carefully remove the adhesive backings.
- After installing the trims, use the palm of your hand to hold pressure against the trims for 30 seconds.
- Remove the plastic protector from each trim piece.

### Left Front Switch Trim:

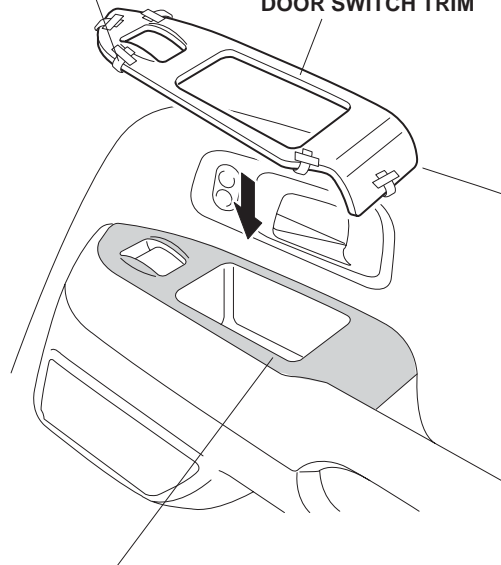
**OUTER ADHESIVE BACKING**  
**DRIVER'S FRONT DOOR SWITCH TRIM**  
Remove 2 to 3 inches from the end, and tape it to the front of the trim.



**Right Front Switch Trim:**

**OUTER ADHESIVE BACKING**  
Remove 2 to 3 inches from the end, and tape it to the front of the trim.

**PASSENGER'S FRONT DOOR SWITCH TRIM**

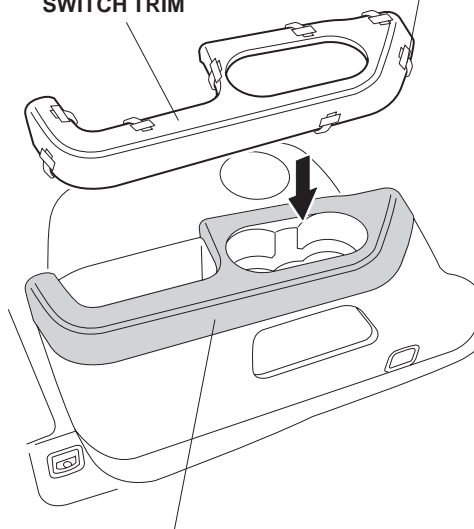


**PASSENGER'S FRONT DOOR SWITCH TRIM ATTACHING SURFACE**

**Left Rear Side Switch Trim:**

**OUTER ADHESIVE BACKING**  
Remove 2 to 3 inches from the end and tape it to the front of the trim.

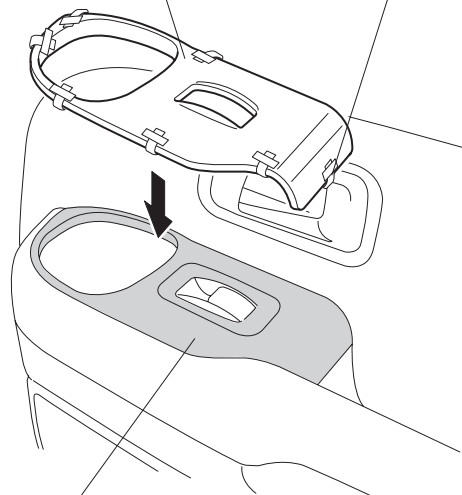
**LEFT REAR SIDE SWITCH TRIM**



**LEFT REAR SIDE SWITCH TRIM ATTACHING SURFACE**

**Right and Left Rear Door Switch Trims:**

**REAR DOOR SWITCH TRIM**  
**OUTER ADHESIVE BACKING**  
Remove 2 to 3 inches from the end, and tape it to the front of the trim.

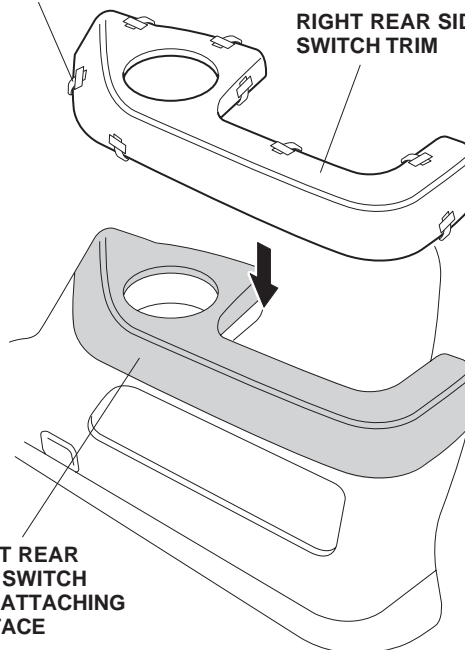


**REAR DOOR SWITCH TRIM ATTACHING SURFACE**

**Right Rear Side Switch Trim:**

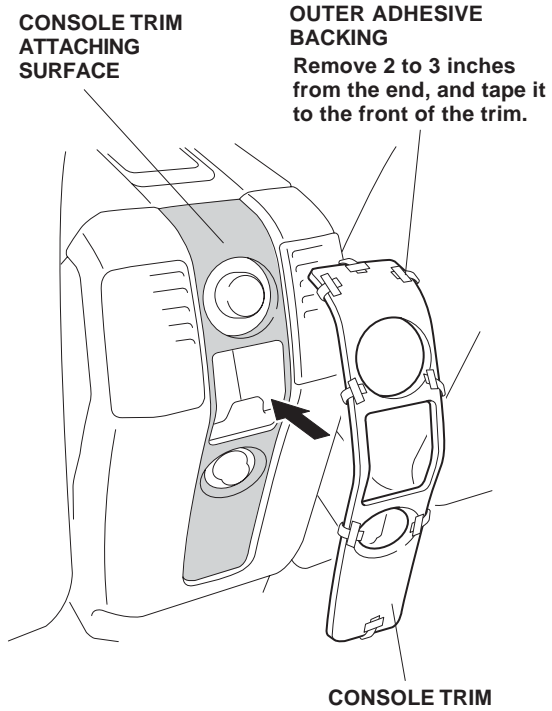
**OUTER ADHESIVE BACKING**  
Remove 2 to 3 inches from the end, and tape it to the front of the trim.

**RIGHT REAR SIDE SWITCH TRIM**



**RIGHT REAR SIDE SWITCH TRIM ATTACHING SURFACE**

## Console Trim:



## USE AND CARE

Use a sponge or soft cloth dampened with mild detergent and water solution. After cleaning, wipe with a clean, soft cloth. Do not use cleaners or polishers containing compounds to clean the wood-grain trims as they may damage the surface.