



# INSTALLATION INSTRUCTIONS

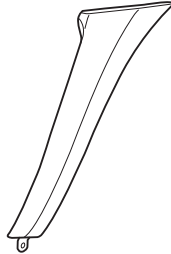
Accessory
<b>FENDER FLARES</b>

Application
<b>PILOT</b>

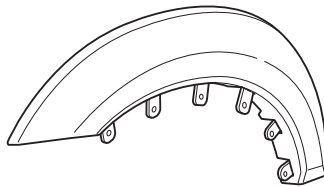
Publications No.
<b>All 25854</b>
Issue Date
<b>AUG 2003</b>

## PARTS LIST

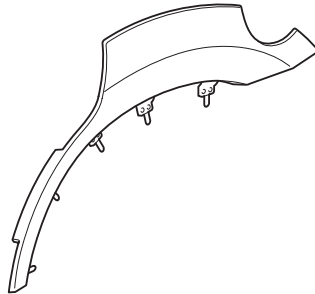
Left front bumper flare



Left front fender flare



Left rear fender flare



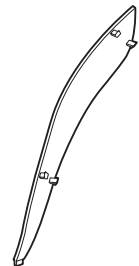
Left rear bumper flare



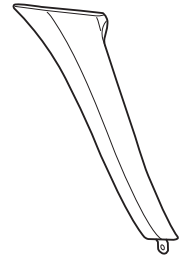
Left rear door flare



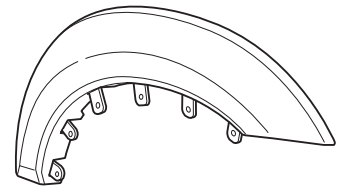
Left rear door flare holder



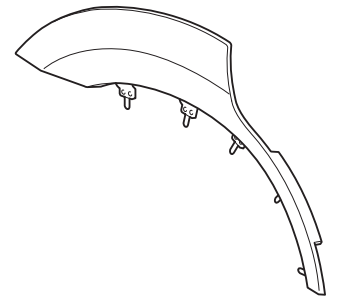
Right front bumper flare



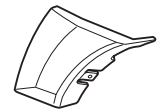
Right front fender flare



Right rear fender flare



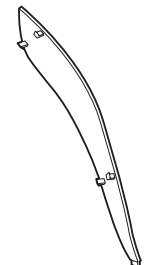
Right rear bumper flare



Right rear door flare



Right rear door flare holder



8 Self-tapping screws



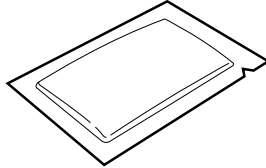
6 Spring nuts



4 Clips



10 Alcohol pads



### TOOLS AND SUPPLIES REQUIRED

Stubby Phillips screwdriver

Phillips screwdriver

Flat-tip screwdriver

Ratchet

10 mm Combination wrench

Isopropyl alcohol

Shop towel

Masking tape

Clip remover

### INSTALLATION

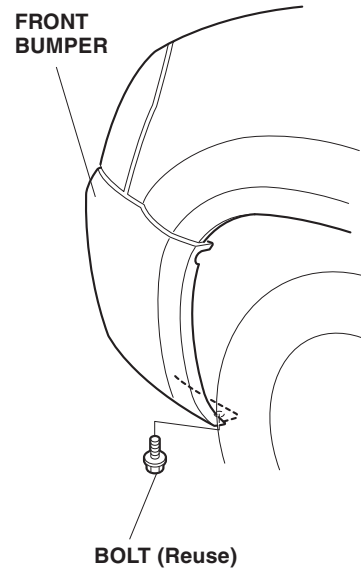
**Customer Information:** The information in this installation instruction is intended for use only by skilled technicians who have the proper tools, equipment, and training to correctly and safely add equipment to your vehicle. These procedures should not be attempted by “do-it-yourselfers.”

#### NOTE:

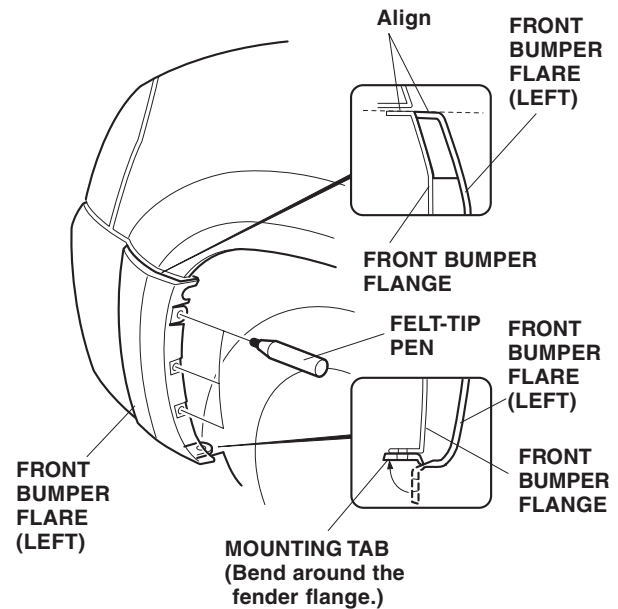
- This fender flare kit cannot be installed on a vehicle equipped with a full nose mask.
- Be careful not to damage the finished surfaces of the body when installing the fender flares.
- This fender flare kit should be installed only when the ambient air temperature is 60°F (15°C) or above.
- To allow the adhesive to “cure”, do not wash the vehicle for 24 hours.
- These instructions show the left fender flares being installed; the same procedure applies to installing the right fender flares.

### Installing the Front Bumper Flare

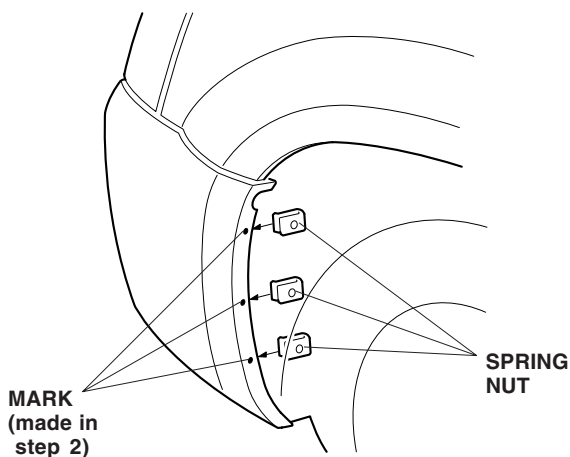
1. Remove the bolt from the bottom of the front bumper.



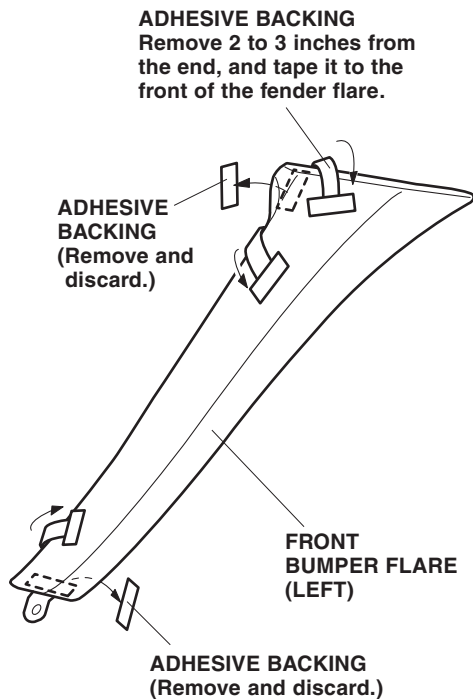
2. Align the ends of the front bumper flare with the front end of the front bumper, and bend the mounting tabs around the fender flange. Using a felt-tip pen, mark the inner fender of the front bumper through the three holes in the bumper flare. Remove the front bumper flare.



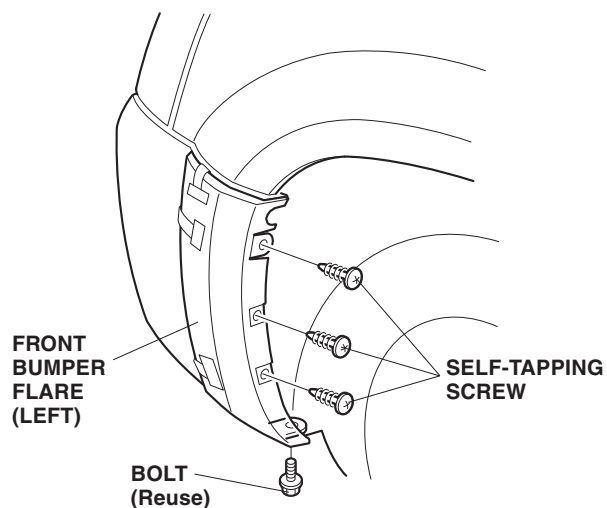
- Slide one spring nut over each of the three marks made on the front bumper.



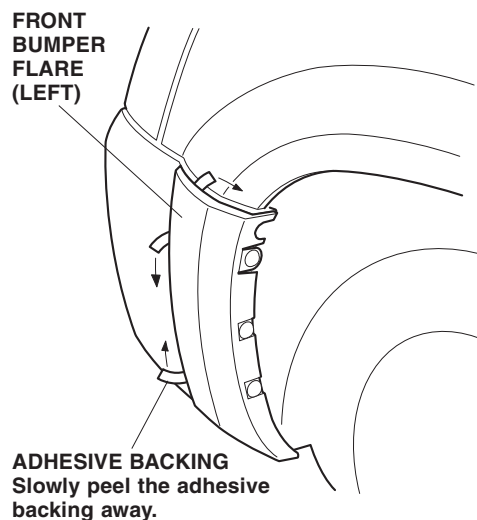
- Using an alcohol pad clean the front bumper where the front bumper flare will attach.
- On the inside of the left front bumper flare, remove 2 to 3 inches from each adhesive backing. Fold the ends back, and tape them to the front of the bumper flare. Remove and discard the upper and lower adhesive backing.



- Position the left front bumper flare on the front bumper and install the three self-tapping screws (from the kit) through the front bumper and reinstall the one bolt you removed in step 1. Do not tighten the self-tappings or the bolt yet.



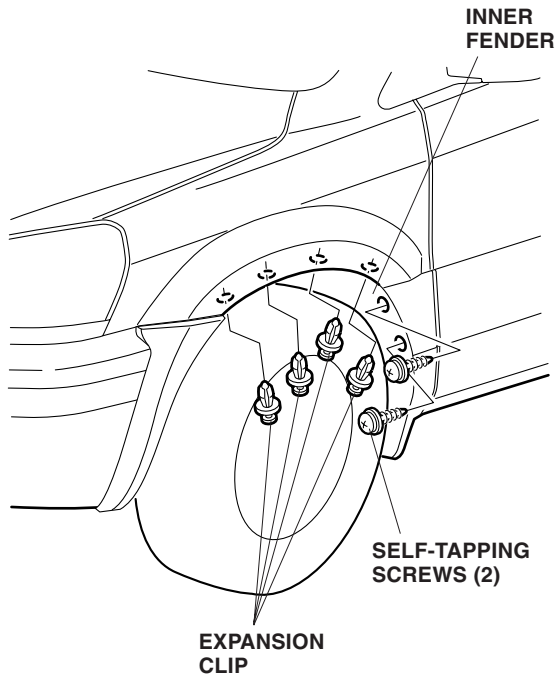
- Remove the adhesive backings from the left front bumper fender flare:
  - Slowly and carefully peel the adhesive backing from the left front bumper flare.
  - After removing all of the adhesive backings, press the left front bumper flare firmly against the front bumper with the palm of your hand for 30 seconds particularly at the edges.



- Tighten the three self-tapping screws and one bolt.

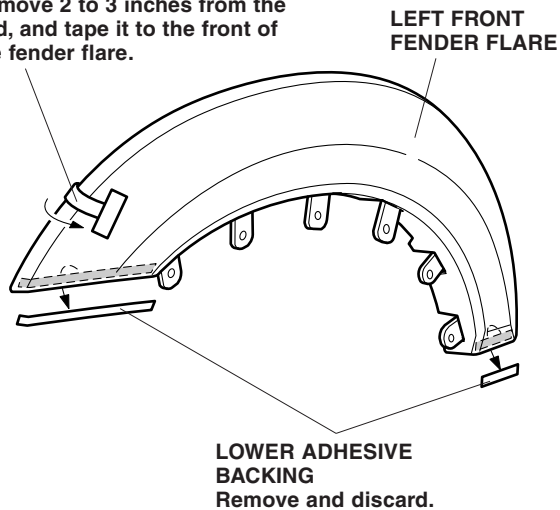
## Installing the Front Fender Flare

- Remove the two self-tapping screws and four clips from the left front inner fender.

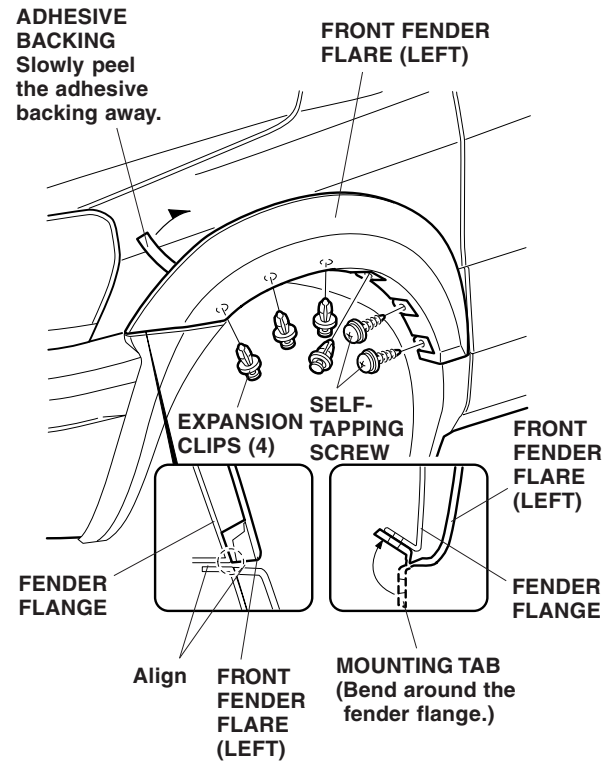


- Using an alcohol pad clean the front bumper where the front fender flare will attach.
- On the inside of the left front fender flare, remove 2 to 3 inches from the upper adhesive backing. Fold the end back, and tape it to the front of the fender flare. Remove and discard the two lower adhesive tapes.

**UPPER ADHESIVE BACKING**  
Remove 2 to 3 inches from the end, and tape it to the front of the fender flare.



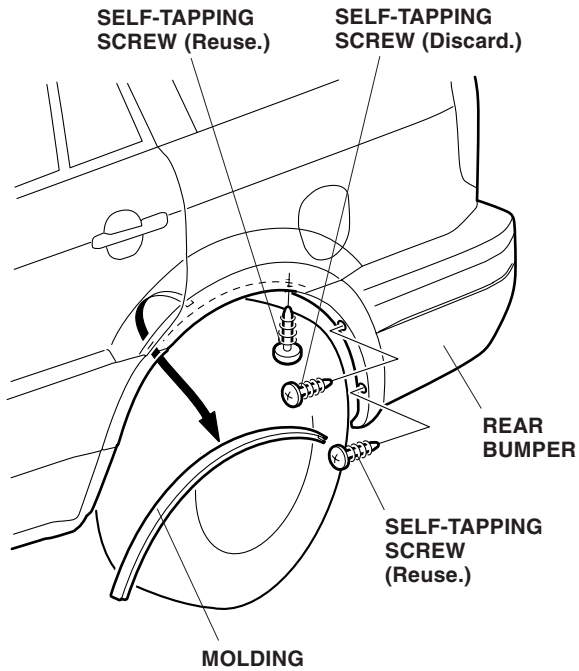
- Align the ends of the front fender flare with the front end of the front fender, and bend the mounting tabs around the fender flange.



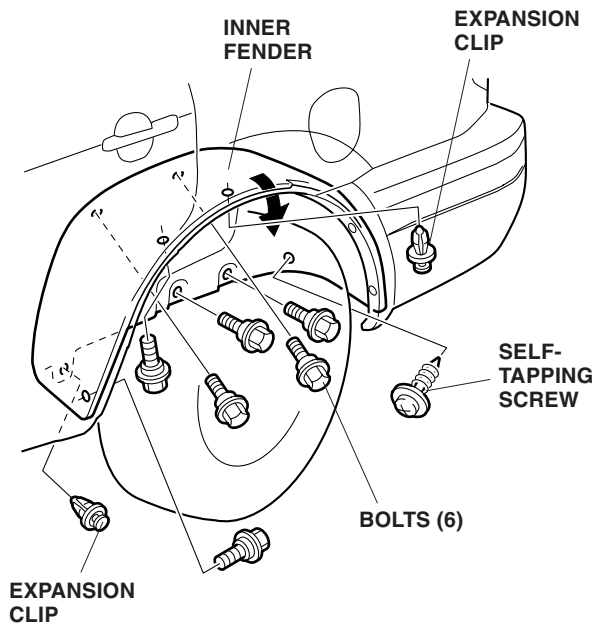
- Install the two self-tapping screws and four expansion clips through the holes in the fender flare and fender flange. Do not tighten the self-tapping screws yet.
- Remove the adhesive backings from the fender flare:
  - Start with the front adhesive backing.
  - Slowly and carefully peel the adhesive backing from the fender flare.
  - After removing the adhesive backing, press the fender flare firmly against the fender with the palm of your hand for 30 seconds particularly at the edges.
- Tighten the two self-tapping screws.

## Installing the Rear Fender Flare

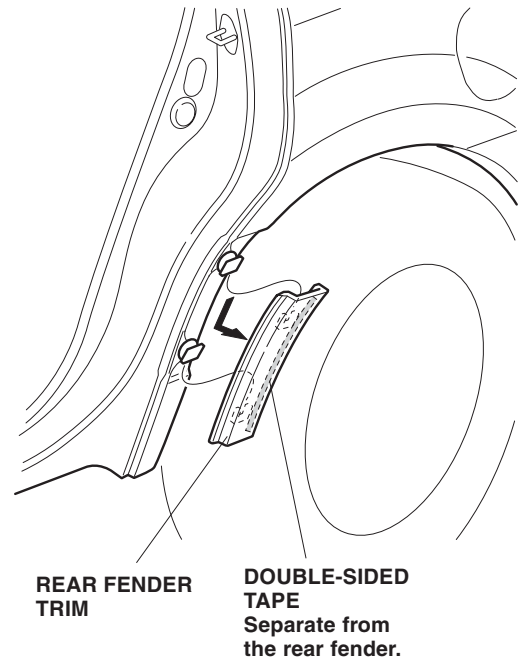
16. Remove the molding from the inner fender flange.



17. Remove the three self-tapping screws that fasten the rear bumper.
18. Remove the six bolts, two expansion clips and one self-tapping screw that secure the inner fender. Rest the inner fender on the rear tire.



19. Remove the rear fender trim by separating the double-sided tape and pulling the trim down.

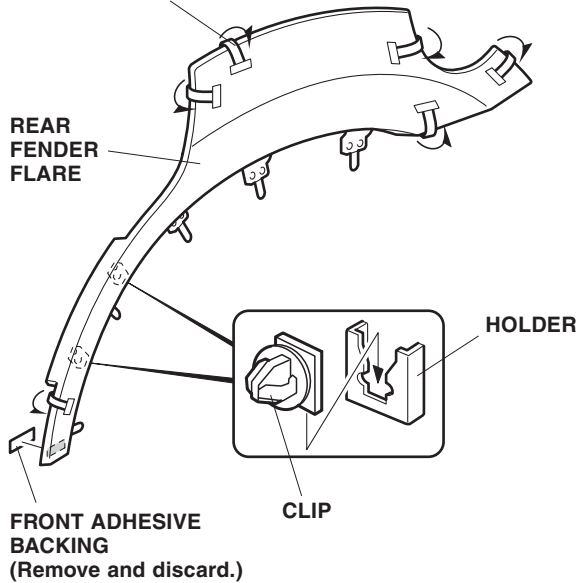


20. Remove and discard the two clips from the rear fender.



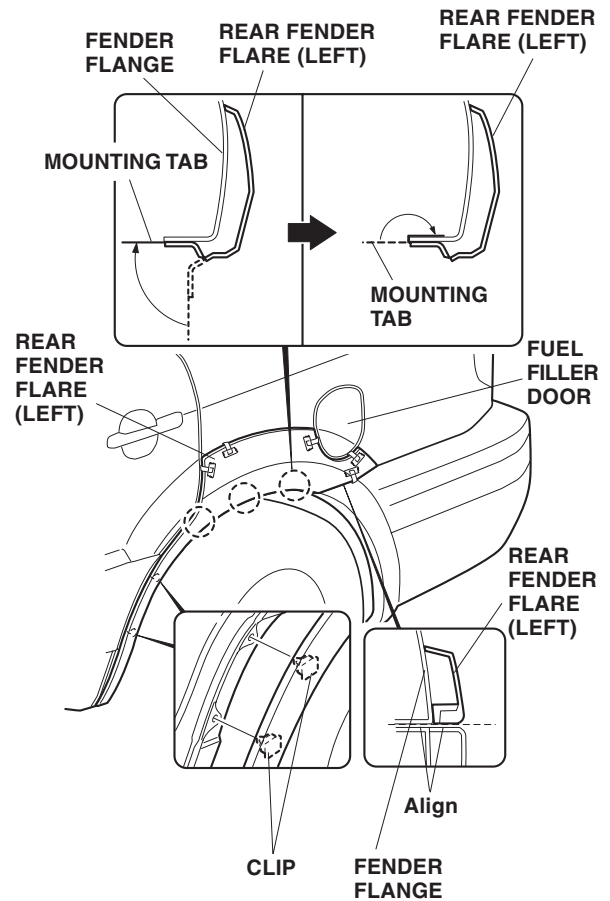
21. Using an alcohol pad clean the rear fender where the rear fender flare will attach.
22. On the inside of the left rear fender flare, remove 1 to 2 inches from each adhesive backing. Fold the ends back, and tape them to the front of the fender flare. Remove and discard the front adhesive backing.

**ADHESIVE BACKING**  
Remove 1 to 2 inches from the end, and tape it to the front of the fender flare.



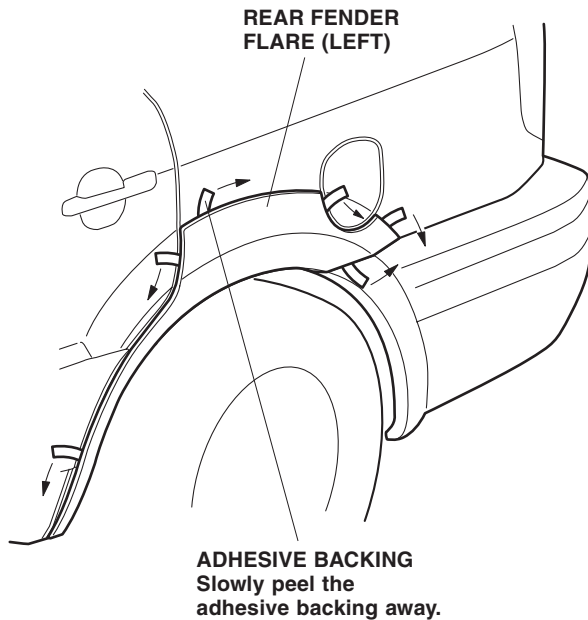
23. Slide one clip into each the holder on the rear fender flare.

24. Position the rear fender flare on the rear fender, and align it with the rear ends of the rear fender and fuel door. Bend the mounting tabs around the fender flange.



25. Push the rear fender flare clips into the holes in the vehicle body.
26. Open and close the fuel door to check that it does not interfere with the rear fender flare.

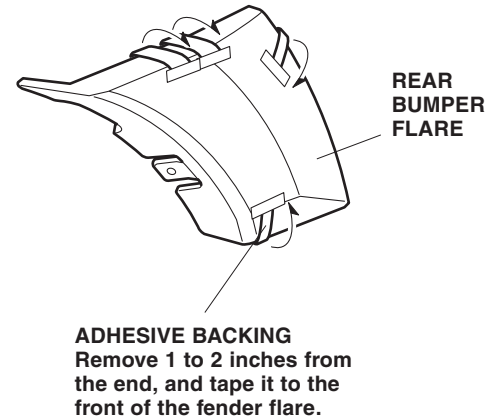
27. Remove the adhesive backings from the rear fender flare:
- Slowly and carefully peel the adhesive backing from the rear fender flare.
  - After removing all of the adhesive backings, press the rear fender flare firmly against the fender with the palm of your hand for 30 seconds particularly at the edges.



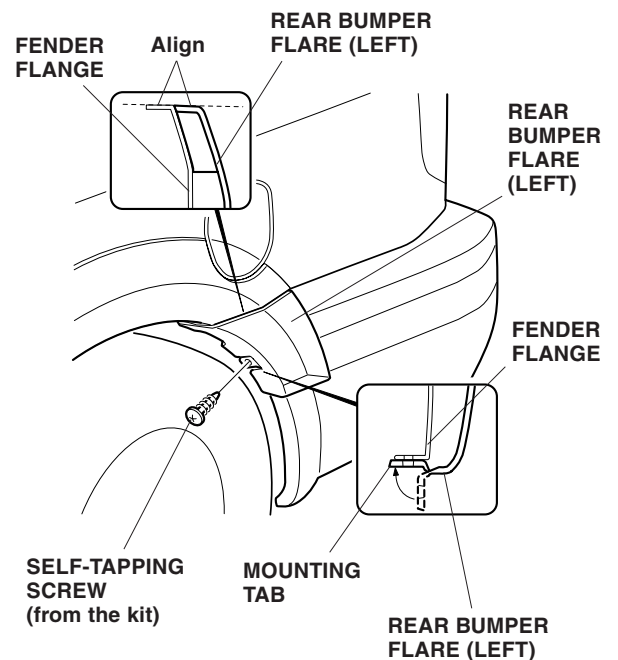
28. Reinstall the inner fender. Reinstall the molding over the rear fender and fender flare. Do not tighten the second self-tapping screw from the bottom of the rear bumper at this time.

### Installing the Rear Bumper Flare

29. Using an alcohol pad clean the rear bumper where the rear bumper flare will attach.
30. On the inside of the left rear bumper flare, remove 1 to 2 inches from each adhesive backing. Fold the ends back, and tape them to the front of the bumper flare.

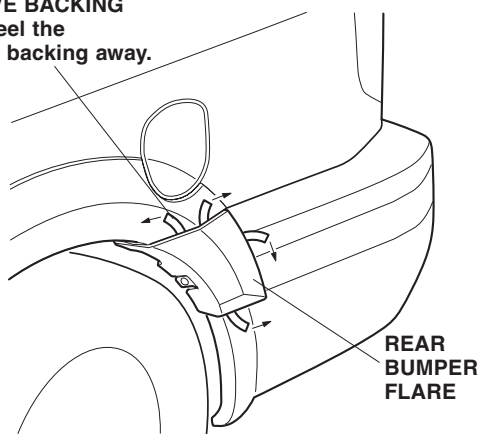


31. Position the rear bumper fender flare on the rear bumper, and align it with the upper end of the rear bumper. Bend the mounting tabs around the fender flare, then install the self-tapping screw, but don't tighten the screws at this time.



32. Remove the adhesive backings from the rear bumper flare:
- Slowly and carefully peel the adhesive backing from the rear bumper flare.
  - After removing all of the adhesive backings, press the rear bumper flare firmly against the bumper with the palm of your hand for 30 seconds particularly at the edges.

**ADHESIVE BACKING**  
Slowly peel the adhesive backing away.

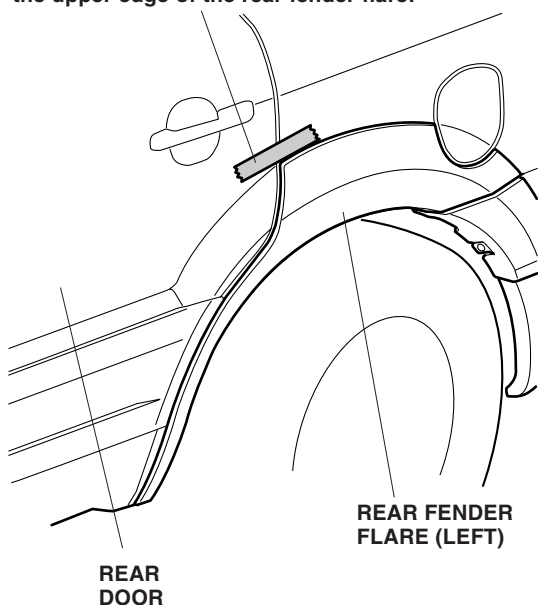


33. Tighten the three self-tapping screws .

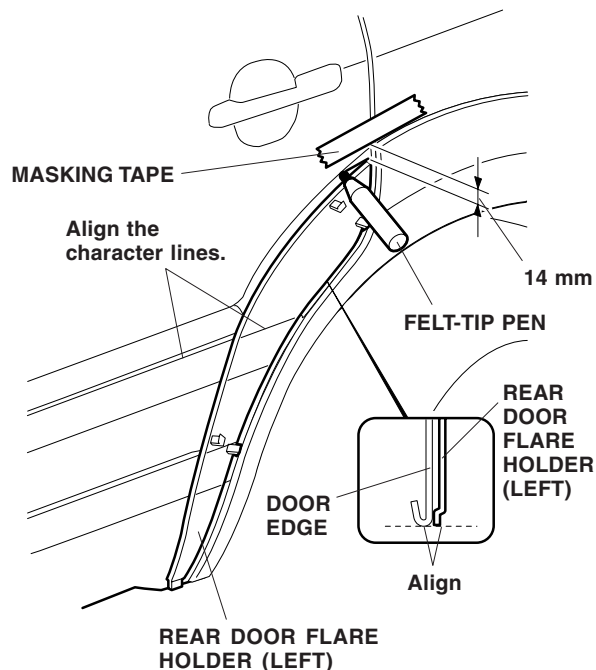
### Installing the Rear Door Flare

34. Attach a piece of masking tape to the door along the upper edge of the rear fender flare.

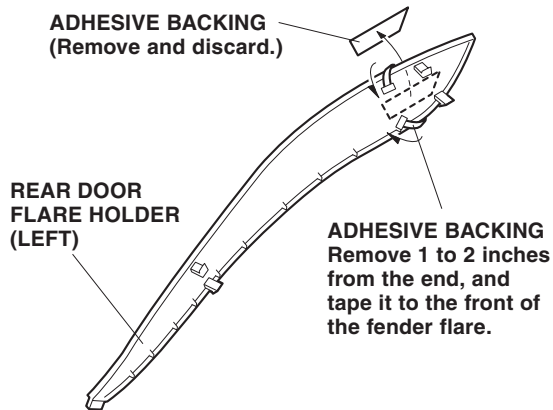
**MASKING TAPE**  
Attach a piece of masking tape along the upper edge of the rear fender flare.



35. Measure the rear door 14 mm from the bottom of the tape. Position the rear door flare holder on the rear door, and align its lower edge with the lower edge of the rear door. Align the character lines on the rear door flare holder with the body lines on the door. Using a felt-tip pen, mark the rear door.

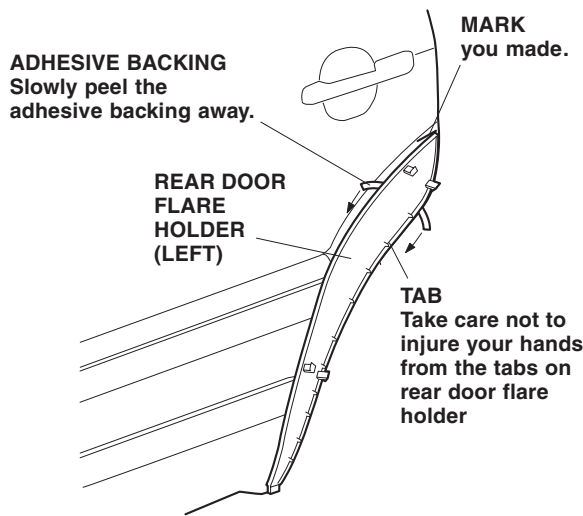


36. Using an alcohol pad clean the door where the rear door flare holder will attach.
37. On the inside of the rear door lower flare, remove 1 to 2 inches from each adhesive backing. Fold the ends back, and tape them to the front of the rear door flare holder. Remove and discard the inner adhesive backings.



38. Open the door, and reposition the rear door flare holder on the rear door along the mark you made, then remove the adhesive backings from the rear door lower flare:

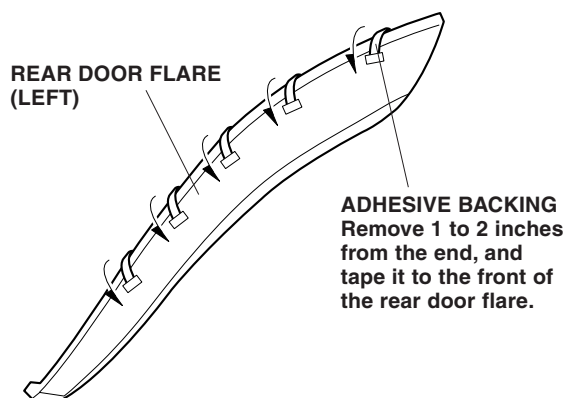
- Slowly and carefully peel the adhesive backing from the rear door lower flare.
- After removing the all of adhesive backings, press the rear door lower flare firmly against the rear door with the palm of your hand for 30 seconds particularly at the edges.
- Take care not to injure your hands on the tabs from the left rear door flare holder while pressing the flare holder against the rear door.



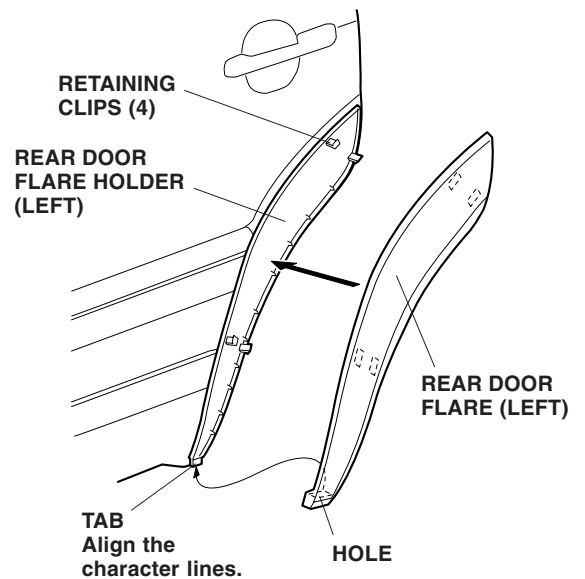
39. Remove the masking tape.

40. Using an alcohol pad clean the door where the rear door flare will attach.

41. On the inside of the rear door flare, remove 1 to 2 inches from the adhesive backings. Fold the ends back, and tape them to the front of the rear door flare.

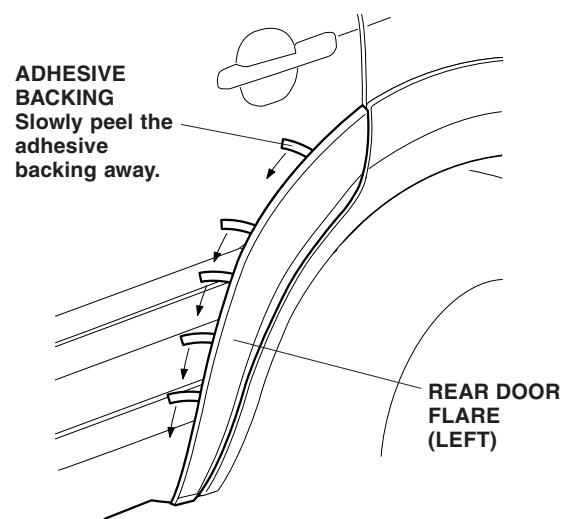


42. Insert the tab on the bottom of the left rear door flare holder into the hole in the left rear door flare, then secure the rear door flare to the left rear door flare holder with the four retaining clips.



43. Remove the adhesive backings from the rear door flare:

- Slowly and carefully peel the adhesive backing from the rear door flare.
- After removing the all of adhesive backings, press the rear door flare firmly against the rear door with the palm of your hand for 30 seconds particularly at the edges.



44. Repeat steps 1 through 43 to install the fender flares on the right side of the vehicle.