



INSTALLATION INSTRUCTIONS

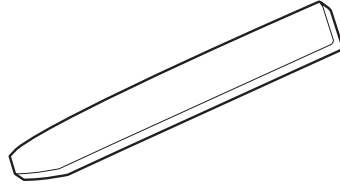
Accessory
**WOOD-GRAIN TRIM
PANEL - NAVI
P/N 08Z03-S9V-100C**

Application
**PILOT EX
(WITH NAVI)**

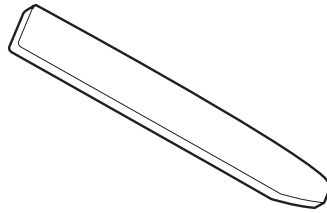
Publications No.
All 23637
Issue Date
MAY 2002

PARTS LIST

Right lower console trim



Left lower console trim



SUPPLIES REQUIRED

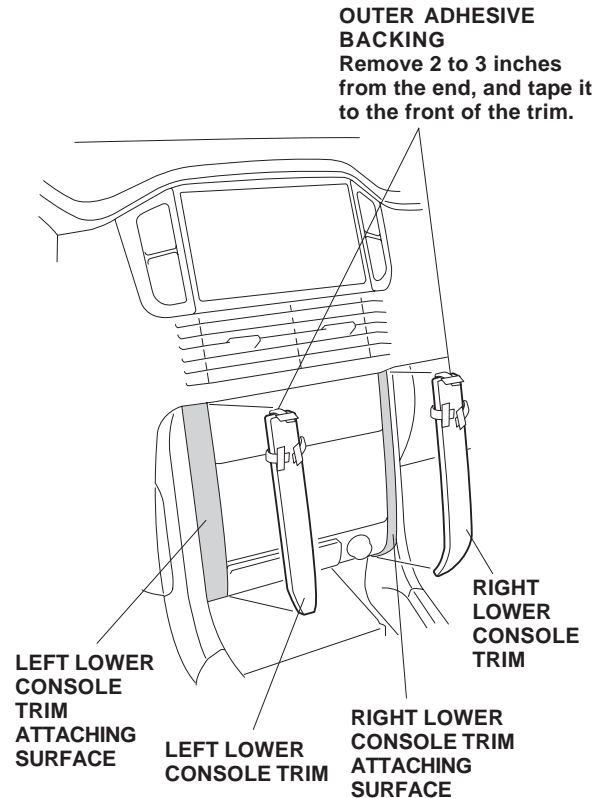
- Isopropyl alcohol
- Shop towel
- Masking tape

INSTALLATION

NOTE: This wood trim kit should be installed only if the outside air temperature is 60°F (15°C) or above.

- Using isopropyl alcohol on a shop towel, thoroughly clean the areas where the wood-grain trims will attach.
- Attach a strip of masking tape to the end of each outer adhesive backing, and remove 2 to 3 inches of the adhesive backing. Fold the ends back, and tape them to the front of the trims. If necessary, remove and discard the inner adhesive backings.
- Position the trims on the existing panels. While applying light pressure on the trims, carefully remove the adhesive backings.

- After installing the trims, use the palm of your hand to hold pressure against the trims for 30 seconds.



USE AND CARE

Use a sponge or soft cloth dampened with mild detergent and water solution. After cleaning, wipe with a clean, soft cloth. Do not use cleaners or polishers containing compounds to clean the wood-grain trims as they may damage the surface.