



Bed Extender User's Information



RIDGELINE





Introduction

Thank you for purchasing this Honda accessory.

Please read this user’s information carefully before using the bed extender, and keep this information in the glove box for future reference.

This product is designed to be used exclusively on a Honda Ridgeline. Honda is not responsible if the product is used for anything other than its intended purpose.

This user’s information should be considered a permanent part of the vehicle. It should remain with the vehicle at all times and stay with the vehicle when sold.

SYMBOLS

If instructions are preceded by the following symbols, they will give helpful advice or information.



ADVICE

- Gives advice to prevent damage to the product.
- Gives advice to handle emergency situation.



INFORMATION

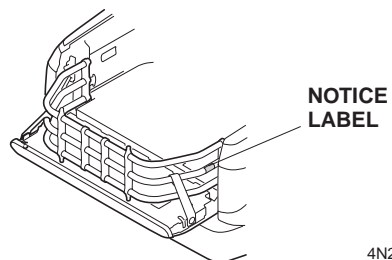
Gives helpful information or instructions to be followed in using the product.





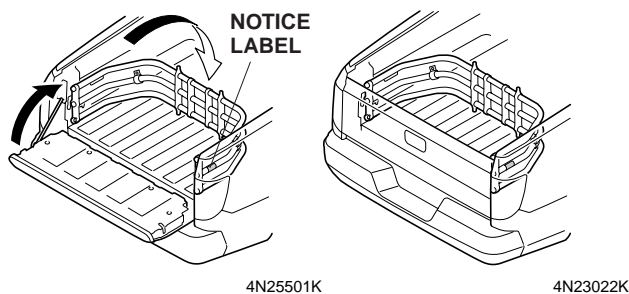
Bed Extender Arrangement

■ Installation with the Tailgate Opened Flat

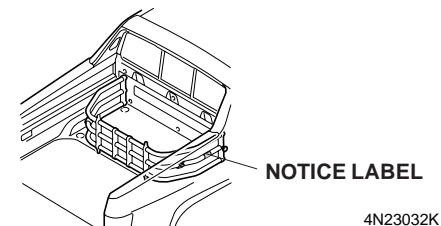


■ Installation with the Tailgate Closed

- Rotate the bed extender forward. Close the tailgate.



■ Installation in the Forward Position



ADVICE

To avoid damage to the tailgate or the bed extender:

- Do not exceed 300 lbs (136 kg) on tailgate.
- Be sure extender is properly installed before driving.
- Do not secure cargo to the tailgate or the extender.

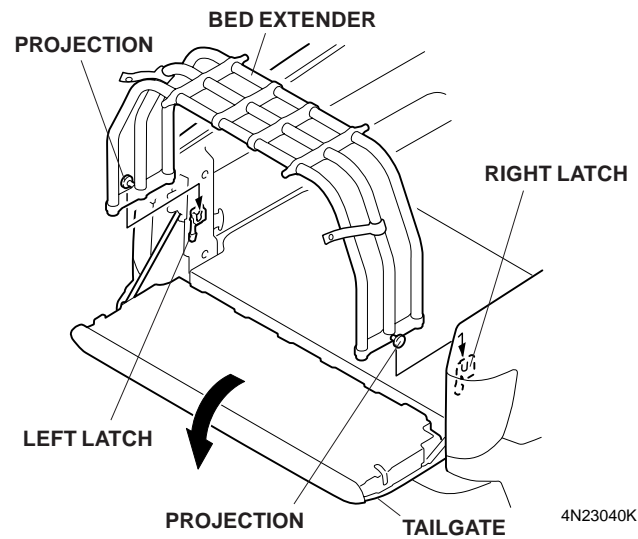
INFORMATION

Install the bed extender so that the notice label comes to the right side of the vehicle.

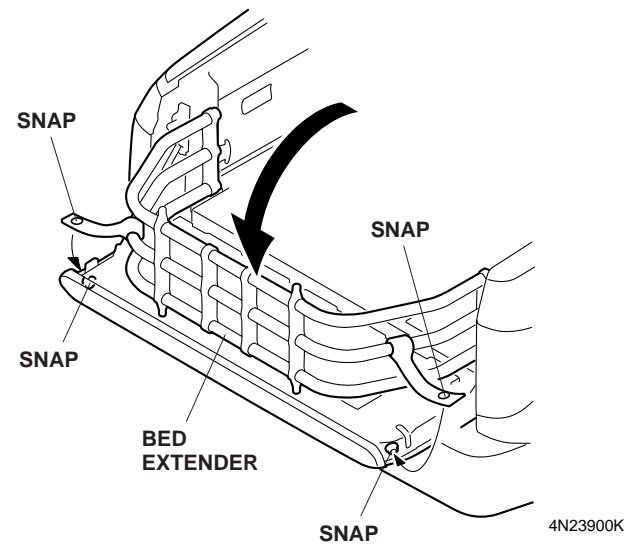
Installation

■ Installing the Bed Extender Vertically:

- Open the tailgate. Insert the right and left projections from the bed extender into the right and left latches.



- Rotate the bed extender backward. Snap the straps attached to the bed extender to the snaps.

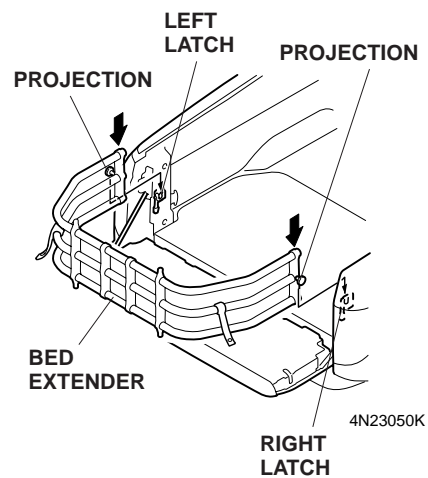




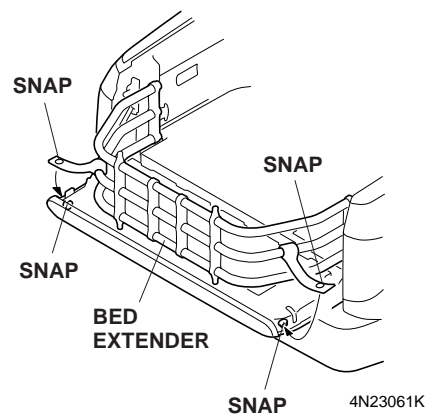
Installation

■ Installing the Bed Extender Horizontally:

- Insert the right and left projections from the bed extender into the right and left latches. Push down the bed extender until the engaged parts lock.

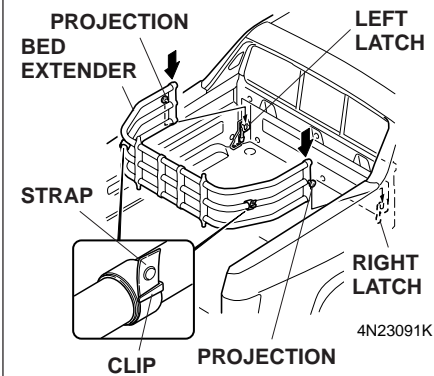


- Snap the straps attached to the bed extender to the snap.



■ Installing the Bed Extender in the Forward Position

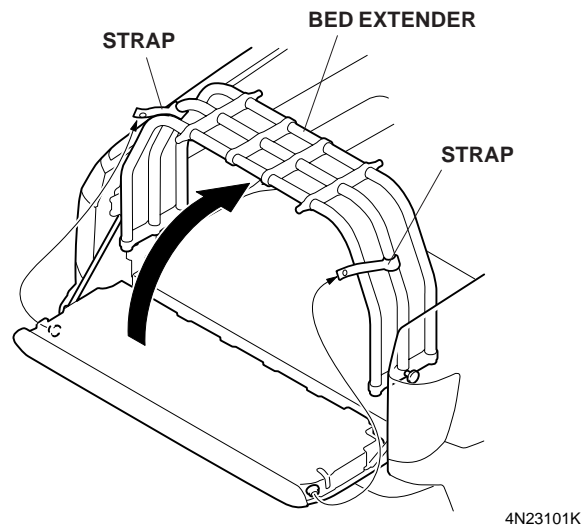
- Wind each strap onto a bar of the bed extender and secure the straps as shown.
- Insert the right and left projections from the bed extender into the right and left latches on the front brackets. Push down the bed extender until the engaged parts lock.



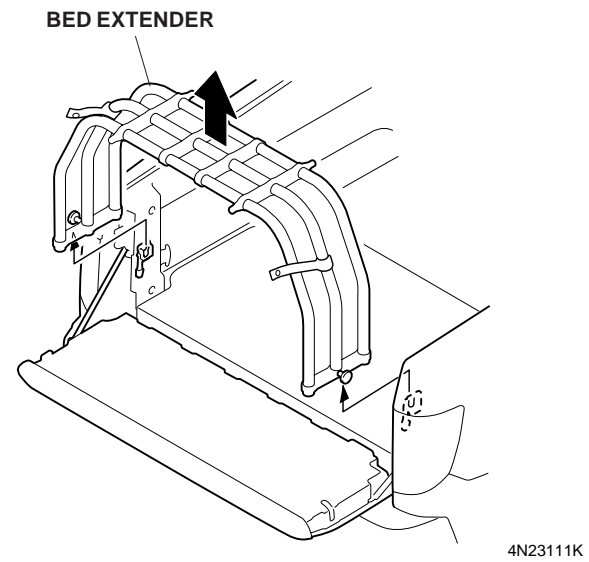
Removal

■ Removing the Bed Extender Vertically:

- Unsnap the straps and rotate the bed extender upward.



- Pull the bed extender up to remove. Close the tailgate.

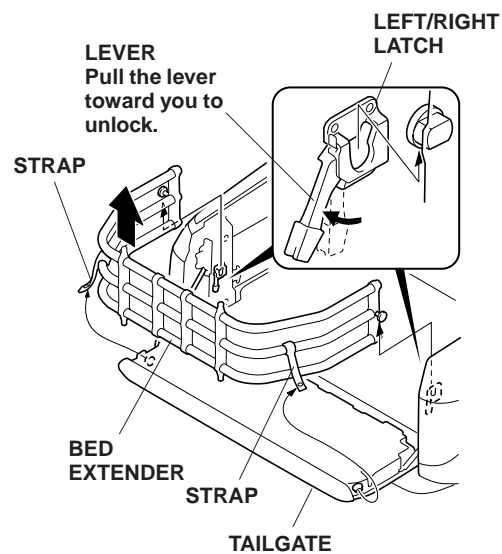




Removal

■ Removing the Bed Extender Horizontally:

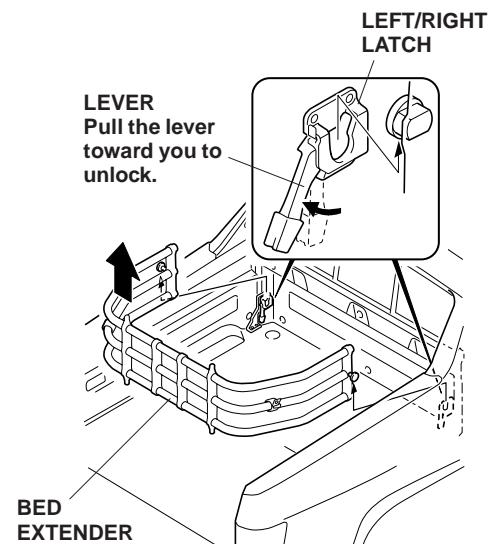
- Unsnap the straps. Unlock the right and left latches by pulling the lever toward you and remove the bed extender by pulling it up straight.
- Close the tailgate.



4N23121K

■ Removing the Bed Extender from the Forward Position

- Unlock the right and left latches by pulling the lever toward you then remove the bed extender by pulling it up straight.



4N23152K



HONDA
The Power of Dreams

