

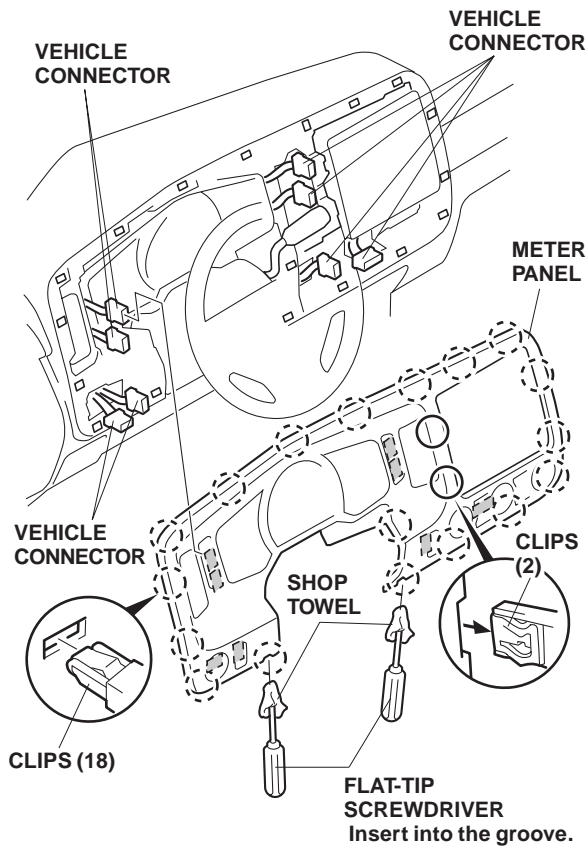
### TOOL AND SUPPLIES REQUIRED

- Phillips screwdriver
- Flat-tip screwdriver
- Shop towel

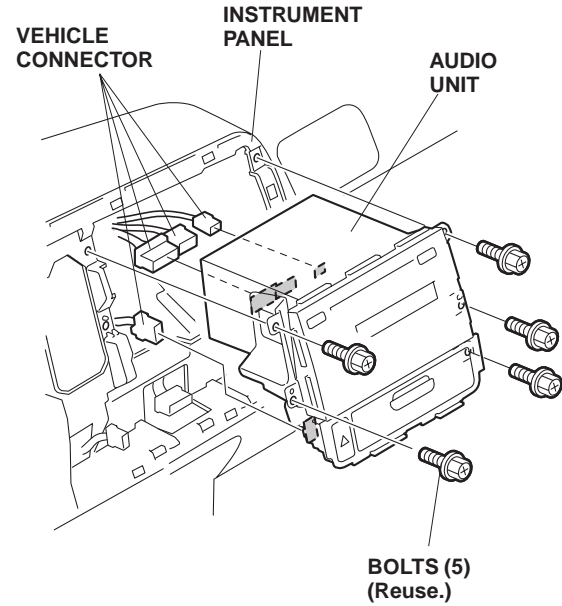
### INSTALLATION

**Customer Information:** The information in this installation instruction is intended for use only by skilled technicians who have the proper tools, equipment, and training to correctly and safely add equipment to your vehicle. These procedures should not be attempted by "do-it-yourselfers."

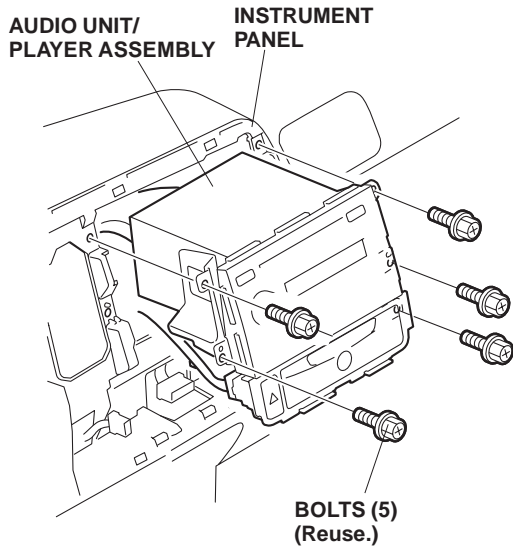
1. Make sure you have the anti-theft code for the radio, then write down the radio station presets.
2. Disconnect the negative cable from the battery.
3. Insert a flat-tip screwdriver, wrapped with a shop towel, into the groove of the meter panel to release the two clips. Pull the meter panel out toward you to release the 18 clips, and then remove the meter panel by unplugging the vehicle connectors.



4. Remove the audio unit (five bolts, pull the audio unit out toward you, and unplug the vehicle connectors).



14. Reinstall the audio unit/player assembly.



5. Check that all wire harnesses are routed properly and all connectors are plugged in.
6. Reconnect the negative cable to the battery.
7. Enter the customer's radio anti-theft code, and reset the radio station presets.
8. Set the clock.
9. Check the operation of the player according to the owner's manual.
10. Put the player owner's manual in the glove box.
11. Reinstall all removed parts.

**NOTE:** Whenever the battery is disconnected, the driver's window AUTO function is disabled.

12. Start the engine. Push down on the driver's window switch until the window is fully open.
13. Pull up on the driver's window switch fully to close the window completely, then hold the switch for 2 seconds or more.
14. Check the window AUTO function by opening and closing the window with the driver's window switch.