



# INSTALLATION INSTRUCTIONS

Accessory

**GOLD GRILLE MOLDING  
P/N 08F21-S3V-200**

Application

**MDX**

Publications No.

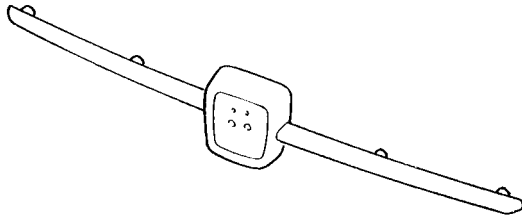
**BII 23290**

Issue Date

**NOV 2001**

## PARTS LIST

Gold grille molding



## TOOLS AND SUPPLIES REQUIRED

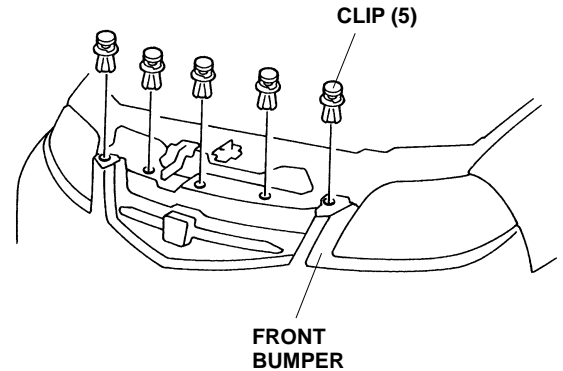
- #2 Phillips screwdriver
- Ratchet
- 10 mm Socket
- Blanket

## INSTALLATION

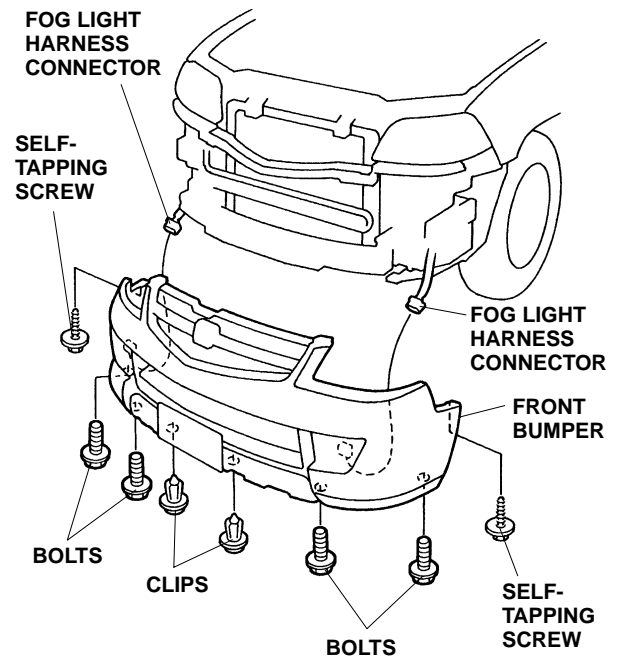
### NOTE:

- Be careful not to damage the body finish when removing and installing the molding.
- The front "A" emblem cannot be reused on the gold grille molding, use the optional gold "A" emblem.
- If you're installing the gold emblem kit (sold separately), install the front "A" emblem before reinstalling the grille molding.

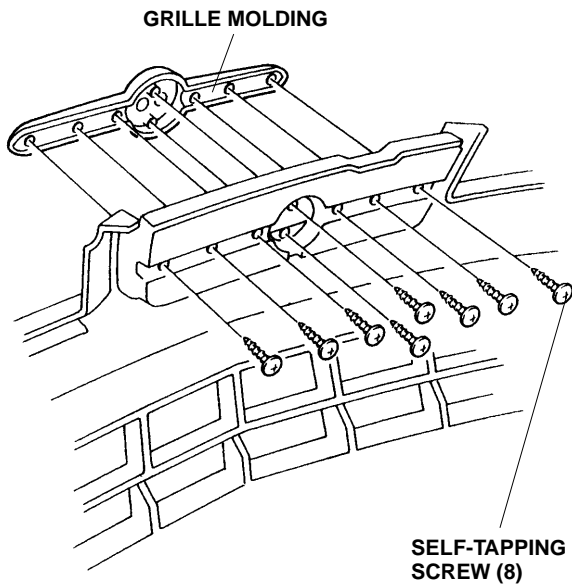
1. Open the engine hood and remove the five clips securing the top of the front bumper.



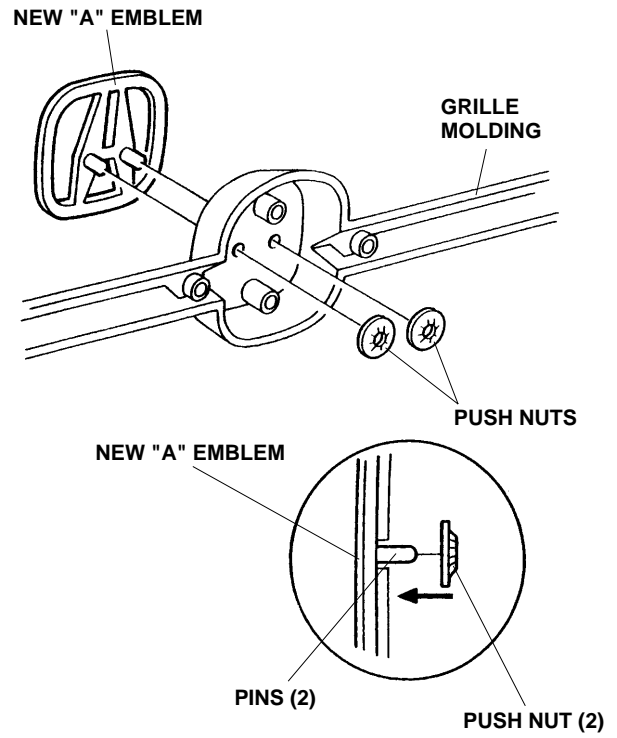
2. Remove the two self-tapping screws, two clips and four bolts securing the front bumper.
3. Pull the front bumper out toward you, then disconnect the fog light harness connectors. Remove the front bumper and rest it on a blanket.



4. Remove the eight self-tapping screws that fasten the front grille molding.



5. Position the new "A" emblem on the center molding and align the pins on the emblem with the holes in the grille molding. Install the two push nuts onto the pins.



6. Reinstall all removed parts.