

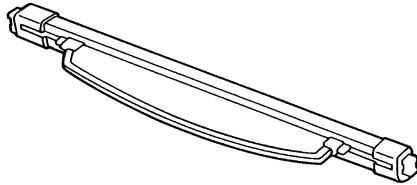
<h1>INSTALLATION INSTRUCTIONS</h1>	Accessory CARGO COVER P/N 08U35-S3V-210 (BLACK) P/N 08U35-S3V-270 (SADDLE)	Application MDX	Publications No. BII 23280
			Issue Date NOV 2001

Keep this information in the glove box for future reference.

<http://www.HandA-Accessories.com>

PARTS LIST

Cargo cover



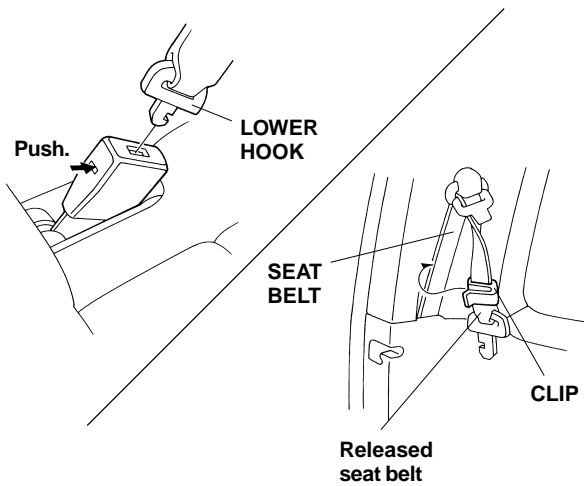
TOOLS REQUIRED

Small flat-tip screwdriver

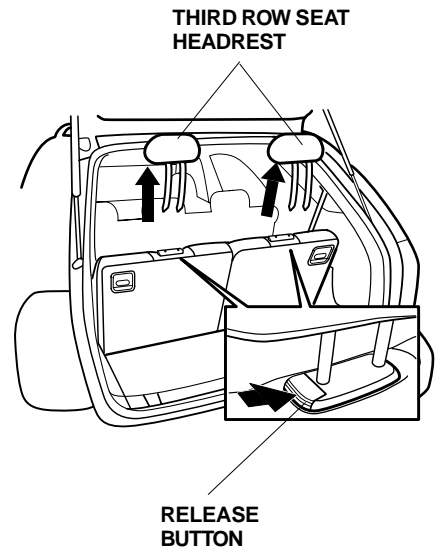
INSTALLATION

Installing the Cargo Cover Behind the Second Seat

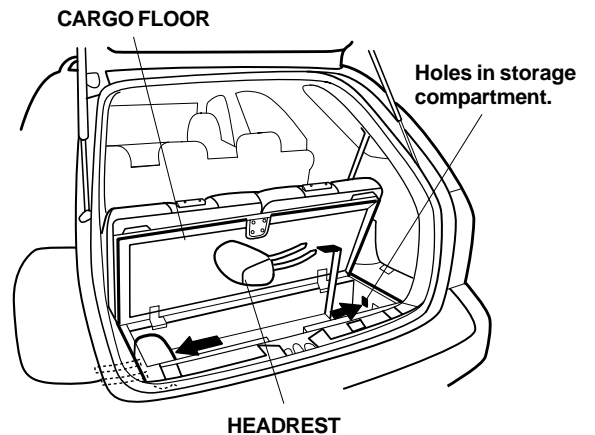
- Using a small flat-tip screwdriver, release the seat belt lower hook from each third row seat, then attach the seat belt clip to the seat belt.



- Remove the headrests by pushing the release buttons and pulling the headrests out.

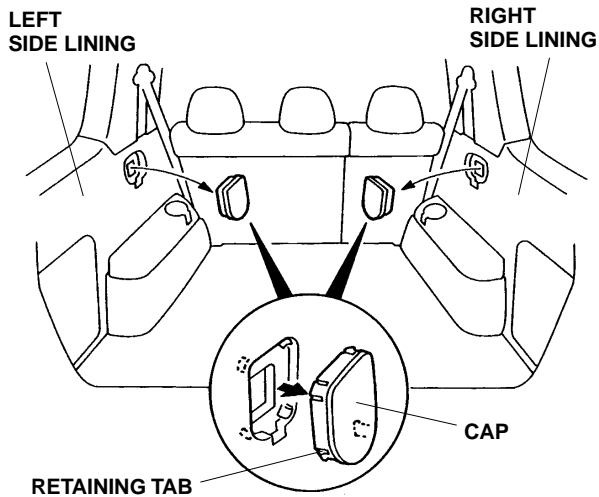


- Store the headrests in the storage compartment under the cargo floor. Insert the shafts of the headrests into the holes located on the sides of the storage compartment.

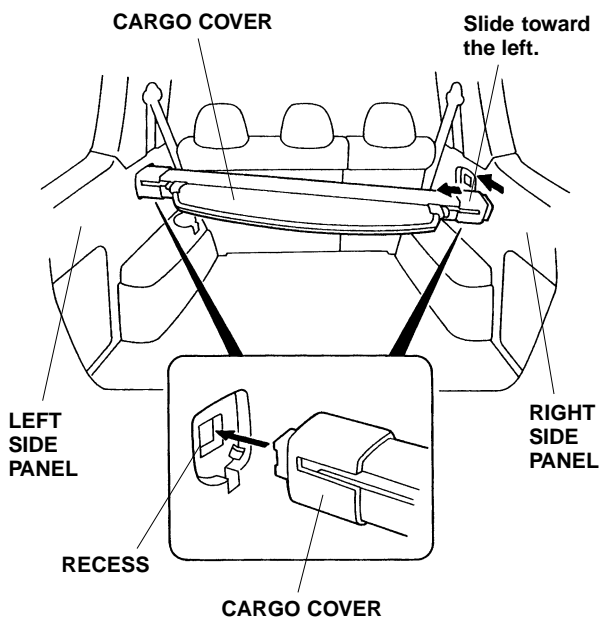


- Fold down both third row seats.

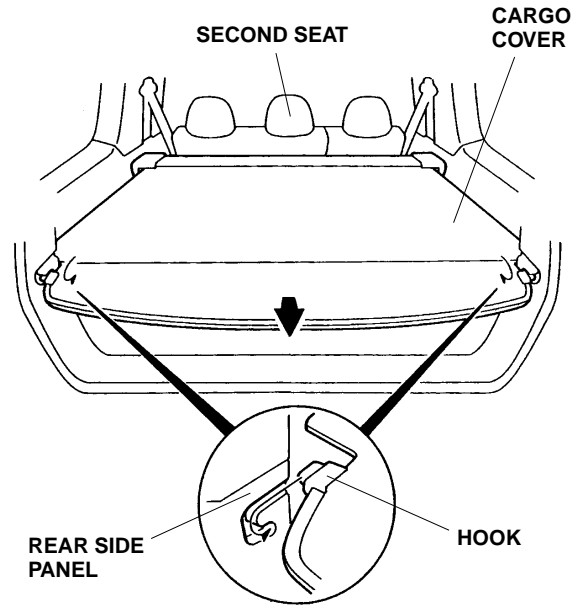
- Using a small flat-tip screwdriver, remove the front right and left side panel caps by releasing the retaining tab. Save the caps so they can be reinstalled when the cargo cover is removed.



- Install the cargo cover into the recess in the left side panel in the direction shown, then slide the cargo cover in (shown below) and install it in the right side panel.

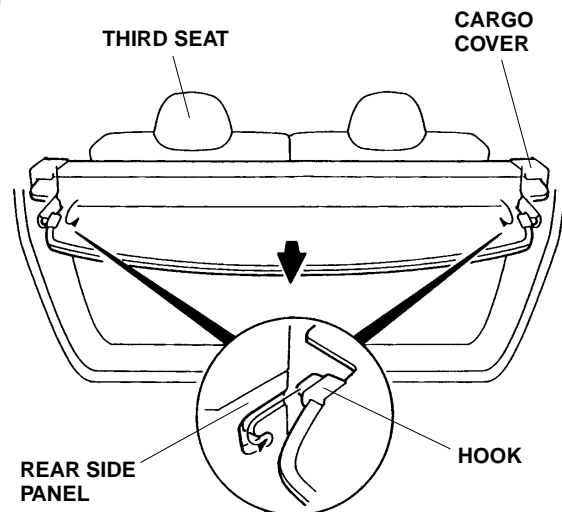


- Attach the right and left hooks to the rear side panel.



Installing the Cargo Cover Behind the Third Seat

- Using a small flat-tip screwdriver, remove the rear right and left side panel caps by releasing the retaining tab. Save the caps so they can be reinstalled when the cargo cover is removed.
- Install the cargo cover into the recess in the left side panel in the direction shown, then slide the cargo cover in (shown below) and install it in the right side panel.
- Attach the right and left hooks to the rear side panel.



CLEANING THE CARGO COVER

Use a sponge or cloth and a solution of mild liquid dishwashing soap and water, then wipe dry with a clean cloth or sponge.