



# INSTALLATION INSTRUCTIONS

Accessory  
ROOF RACK (SILVER)

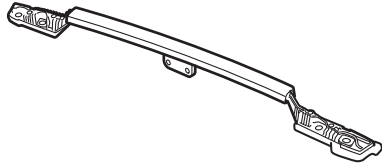
Application  
2010 MDX

Publications No.  
BII 43147-43815

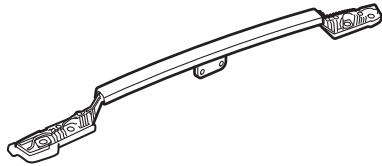
Issue Date  
APRIL 2010

## PARTS LIST

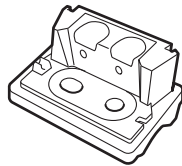
Right side rail



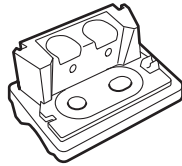
Left side rail



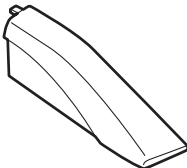
Right center stay



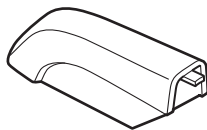
Left center stay



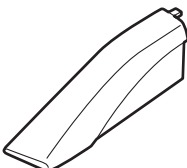
Right front rail cover



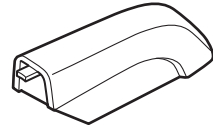
Right rear rail cover



Left front rail cover



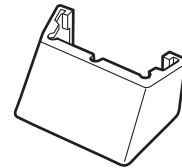
Left rear rail cover



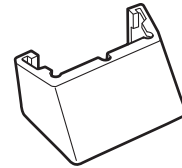
12 TORX nuts



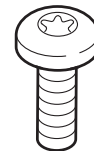
Right center stay cover



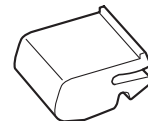
Left center stay cover



4 TORX bolts



10 Spacers



## TOOLS AND SUPPLIES REQUIRED

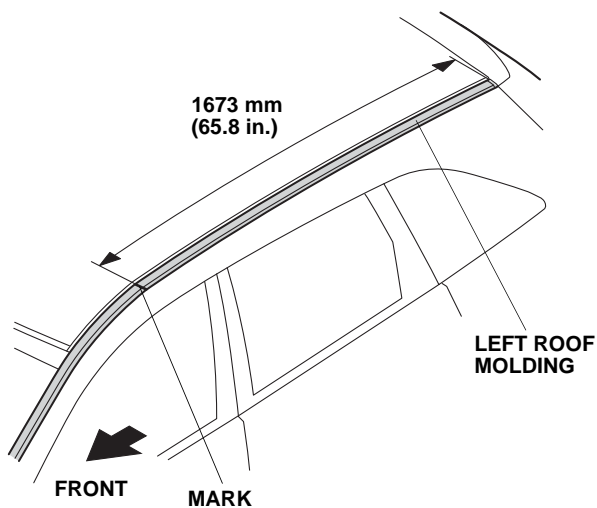
Eye protection (face shield, safety goggles, etc.)  
Plastic Trim Tool (T/N SILTRIMTL10)  
T30 TORX bit  
Torque wrench  
Reciprocating saw (air saw) with 32 tpi blade  
Snap-on: AT192A or equivalent  
Tape measure  
Shop towel  
Blanket  
Empty box  
Felt-tip pen

## INSTALLATION

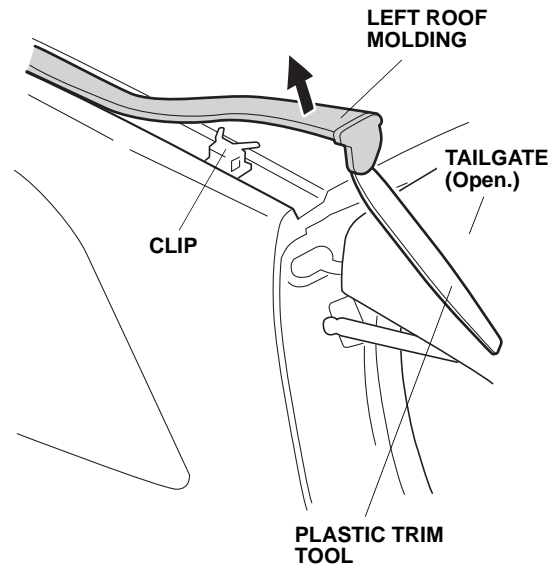
**Client Information:** The information in this installation instruction is intended for use only by skilled technicians who have the proper tools, equipment, and training to correctly and safely add equipment to your vehicle. These procedures should not be attempted by “do-it-yourselfers.”

### NOTE:

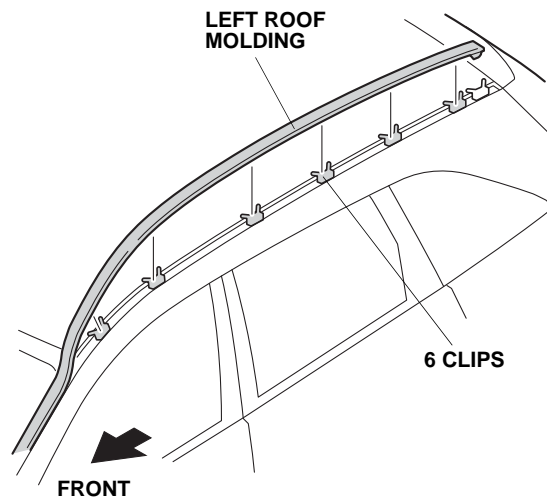
- Be extremely careful not to damage the paint and other surfaces when installing the roof rails.
  - These instructions are for the left side of the vehicle. The same procedure applies to the right side of the vehicle.
1. Measure forward from the rear of the left roof molding, and mark the left roof molding at the measurement shown.



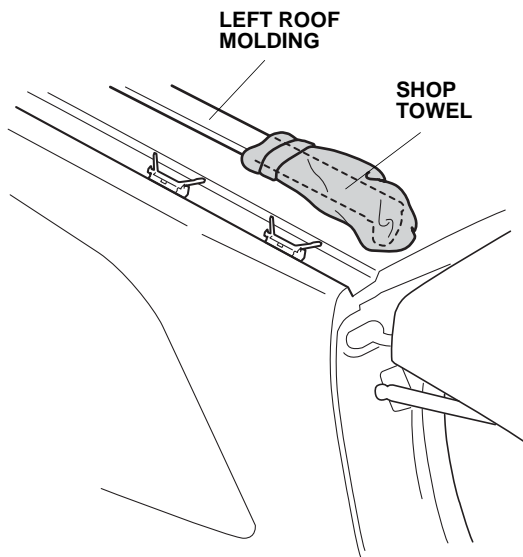
2. Open the tailgate. Using a plastic trim tool, pry up on the left roof molding to release the clip.



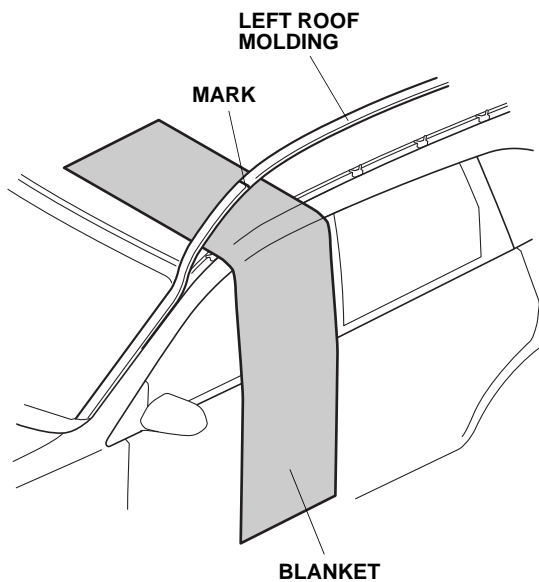
3. Continue to remove the left roof molding only on the roof area by lifting the left roof molding upward to release six more clips. Do not remove the left roof molding along the windshield.



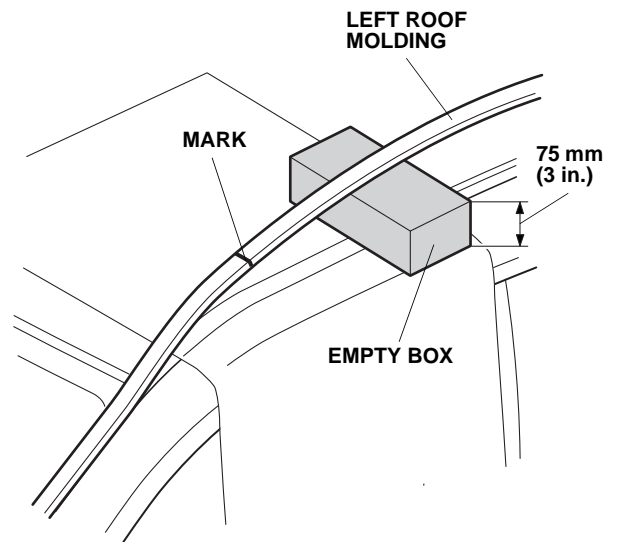
4. Tie a shop towel around the rear edge of the left roof molding to avoid scratching the roof.



5. Place a blanket over the roof of vehicle under the left roof molding at the mark.

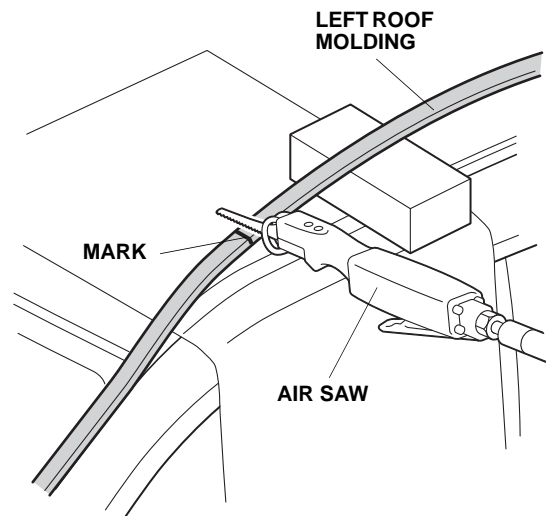


6. Place an empty 75 mm (3 in.) box under the left roof molding near the mark.



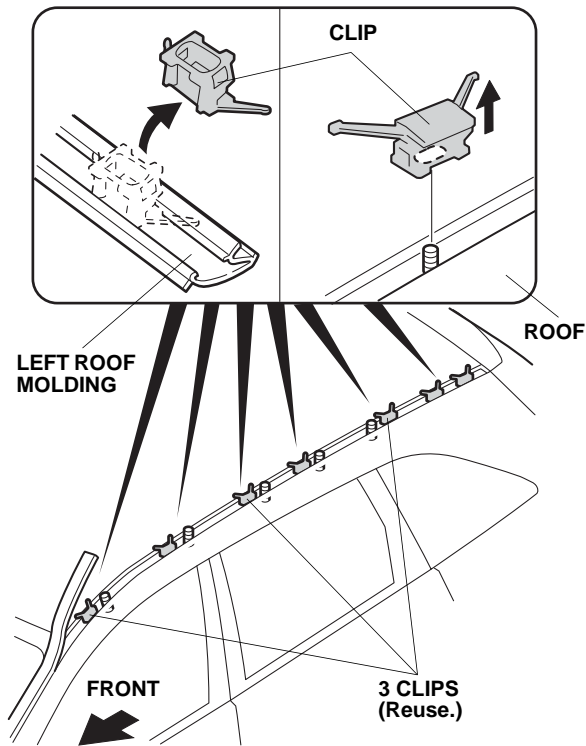
7. While wearing eye protection, cut the left roof molding at the mark using an air saw. Have an assistant hold the rear edge near the shop towel of the left roof molding while cutting.

NOTE: Do not use a cutting wheel or shears to cut the left roof molding, it will damage the left roof molding.

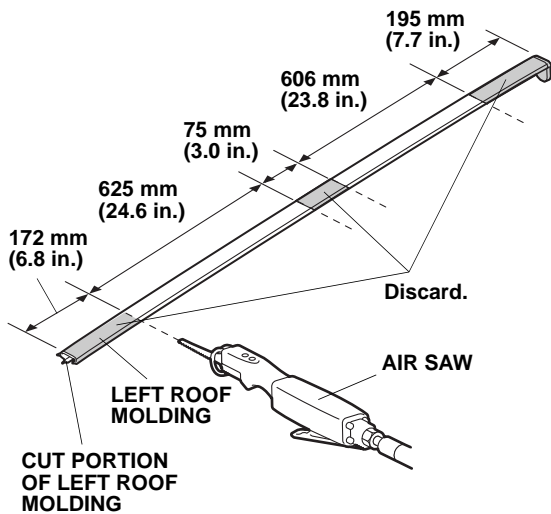


8. Remove the empty box and blanket.

- Turn the left roof molding over, and remove the seven clips from the left roof molding. If any clip stayed to the roof, remove it.

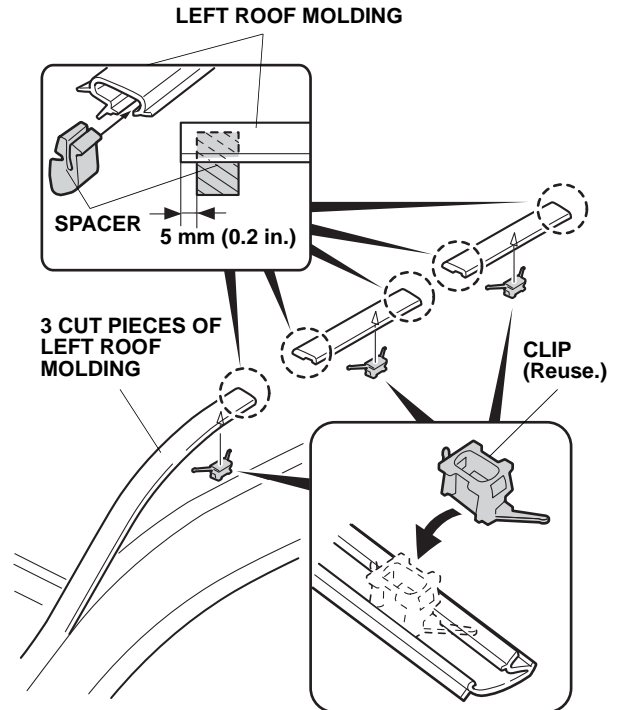


- On the work bench, measure and mark the left roof molding at the measurements shown.

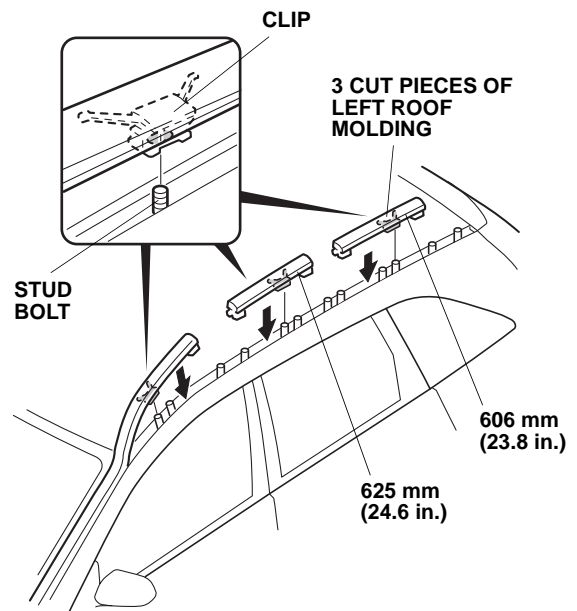


- While wearing eye protection, use an air saw to cut the left roof molding at the marks you made. Make the cuts on the work bench.

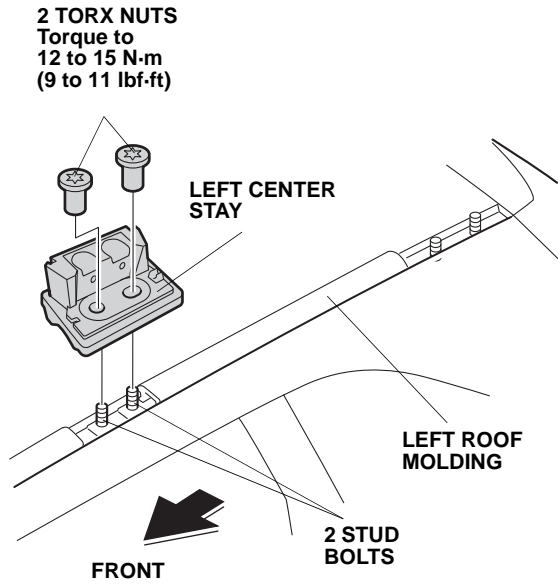
- Reinstall three of the seven clips removed in step 9.



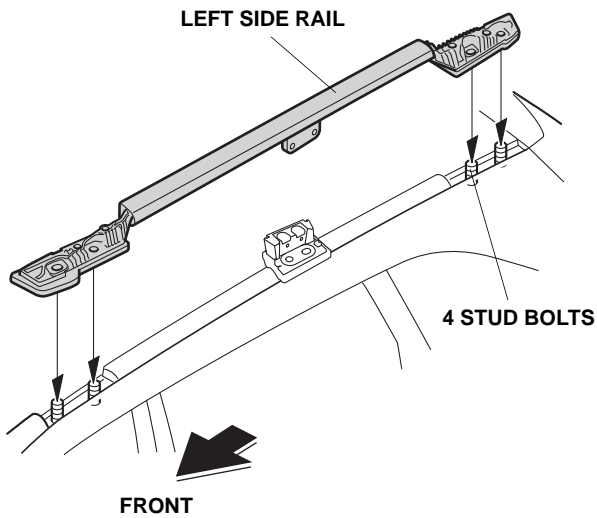
- Install five spacers to the ends of the cut pieces of the left roof molding.
- Reinstall the cut pieces of the left roof molding on the vehicle.



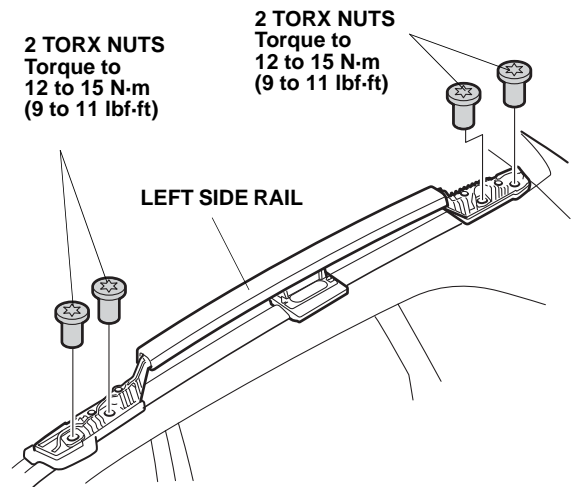
15. Place the left center stay over the two stud bolts at the center, and install two TORX nuts. Torque the TORX nuts to 12 to 15 N·m (9 to 11 lbf·ft).



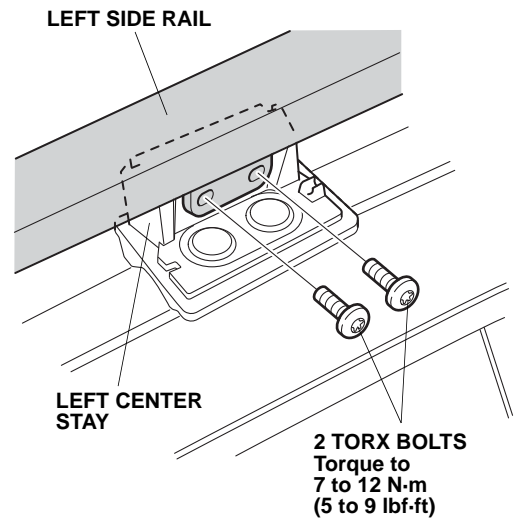
16. Place the left side rail over the four remaining stud bolts.



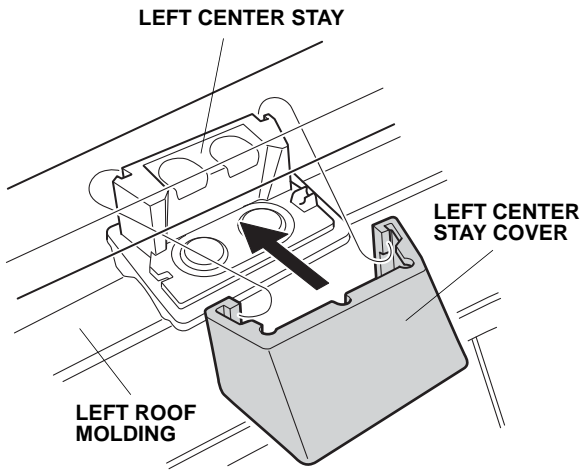
17. Install four TORX nuts to attach the front and rear of the left side rail. Torque the TORX nuts to 12 to 15 N·m (9 to 11 lbf·ft).



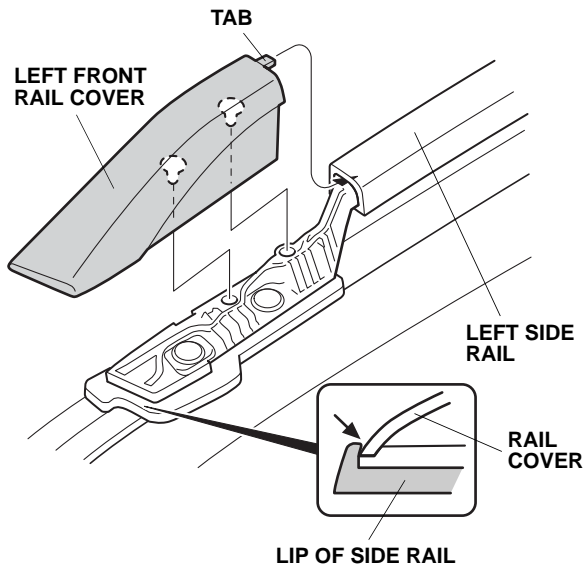
18. At the left center stay, install two TORX bolts through the holes in the left side rail. Torque the TORX bolts to 7 to 12 N·m (5 to 9 lbf·ft).



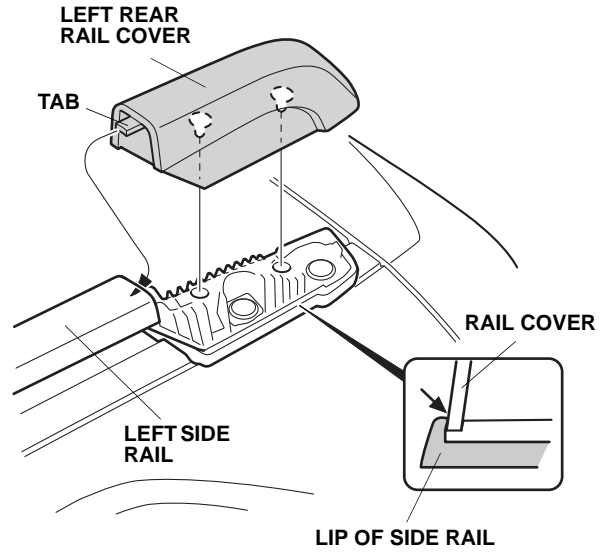
19. Attach the left center stay cover to the left center stay.



20. Insert the tab of the left front rail cover in first, and install the left front rail cover on the left side rail.



21. Insert the tab of the left rear rail cover in first, and install the left rear rail cover on the left side rail.



22. Repeat steps 1 through 21 to install the right side rail on the right side of the vehicle.