

PARTS LIST

Select knob



Ring



2 Screws



TOOLS AND SUPPLIES REQUIRED

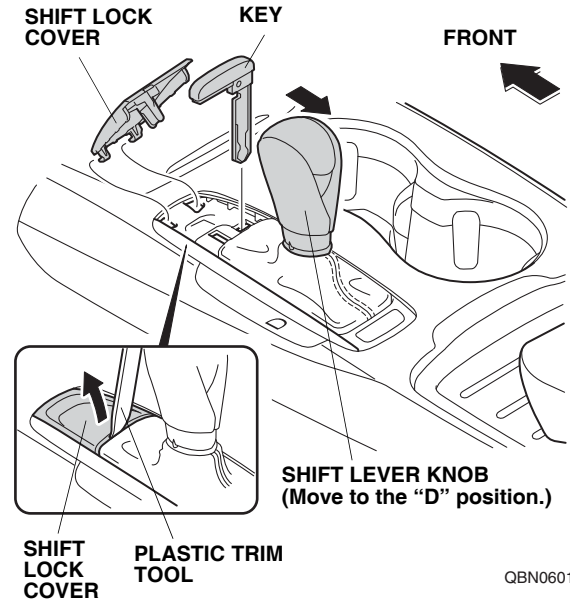
Phillips screwdriver

The following tools are available through the Honda Tool and Equipment Program. On the iN, click on: Service > Service Bay > Tool and Equipment Program, then enter the number under "Search". Or, call 888-424-6857.

- Torque Screwdriver (T/N CDI401SM)
- Plastic Trim Tool (T/N SILTRIMTL10)

INSTALLATION

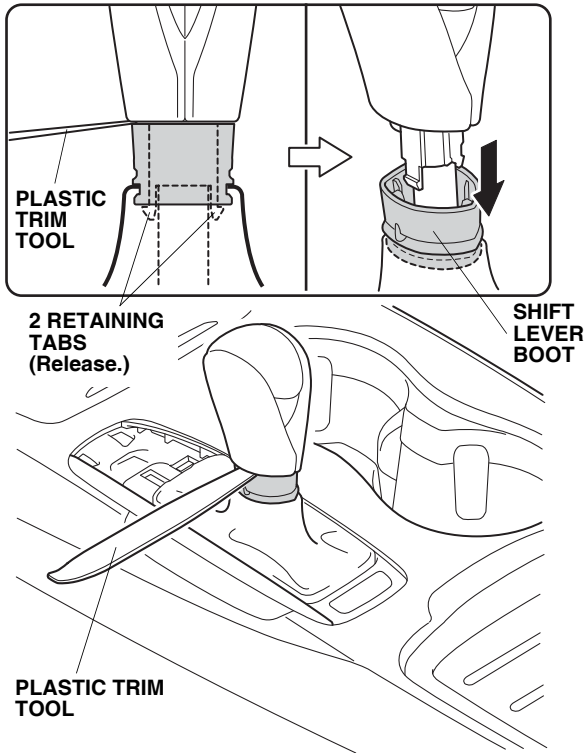
1. With the parking brake on, remove the shift lock cover with a plastic trim tool.



2. Insert the key, and move the shift lever knob to the "D" position.

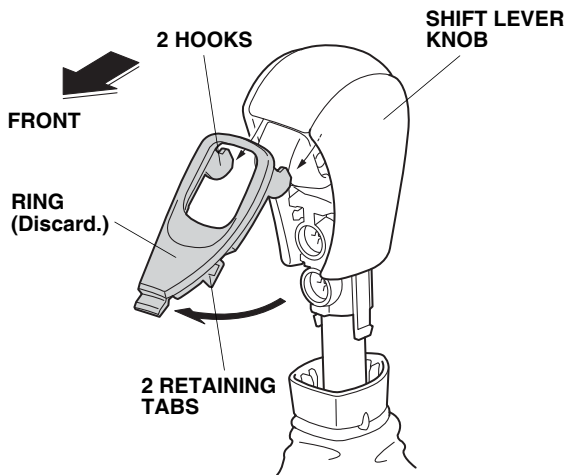
QBN0601AK

3. Using the plastic trim tool, lower the shift lever boot.



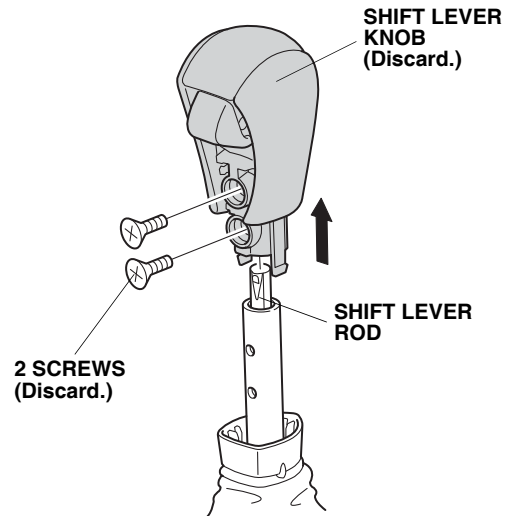
QBN0602BK

4. Remove the ring from the shift lever knob.



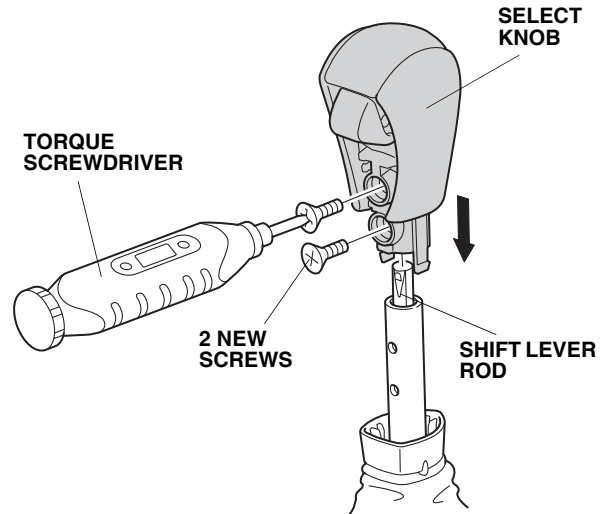
QBN0701AK

5. Remove the two screws from the shift lever knob, and remove the shift lever knob by pulling it up.



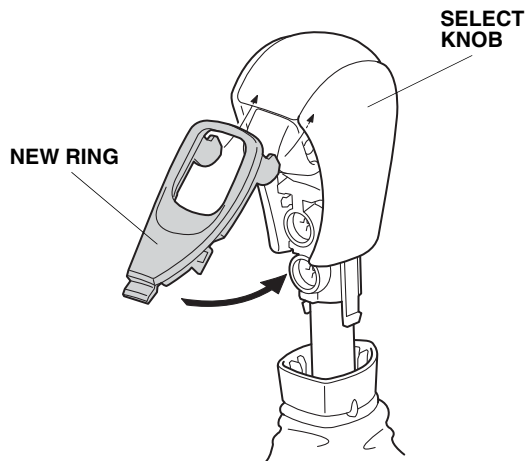
QBN0702AK

6. Install the select knob using the two new screws. Using a torque screwdriver, torque the screws to 2.0-2.9 N·m (0.2-0.3 kgf·m, 1.5-2.1 lbf·ft). Do not overtighten the screws.



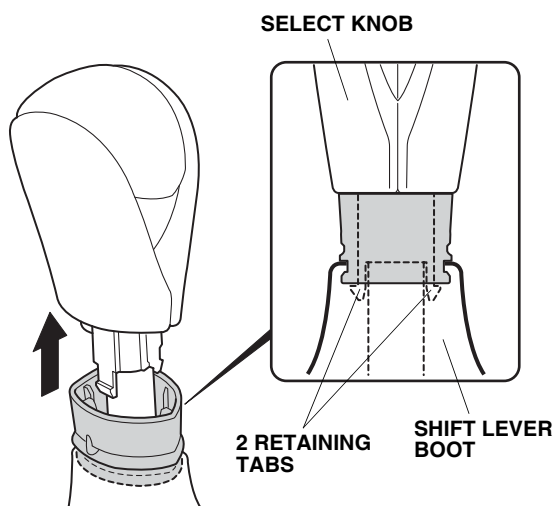
QBN0703AK

7. Insert the new ring.



QBN0704AK

8. Pull the shift lever boot up into the normal position.



QBN0705AK

9. Reinstall the shift lock cover.

USE AND CARE

- Use a sponge or cloth and a solution of mild liquid dishwashing soap and water to clean the select knob.
- Rinse the knob completely with water, then dry it with a shop towel.
- Never use solvents such as benzene, thinner, or gasoline to clean the select knob.