



# INSTALLATION INSTRUCTIONS

Accessory  
**WOODGRAIN LOOK STEERING WHEEL**  
P/N 08U97-TZ5-200

Application  
**2014 MDX**

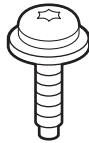
Publications No.  
**BII 48844-49638**  
Issue Date  
**JUNE 2013**

## PARTS LIST

Steering wheel



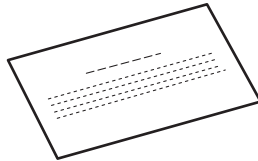
2 TORX bolts



Steering wheel bolt



Information



## TOOLS AND SUPPLIES REQUIRED

- Phillips screwdriver
- 10 mm Open end wrench
- 10 mm Hex bit
- Ratchet
- T30 TORX bit
- Torque wrench
- Steering wheel puller
- HDS/MVCI
- Shop towel

*The following tools are available through the Honda Tool and Equipment Program. On the iN, click on: Service > Service Bay > Tool and Equipment Program, then enter the number under "Search." Or, call 888-424-6857.*

- Plastic Trim Tool (T/N SILTRIMTL10)
- Trim Tool Set (T/N SOJATP2014)

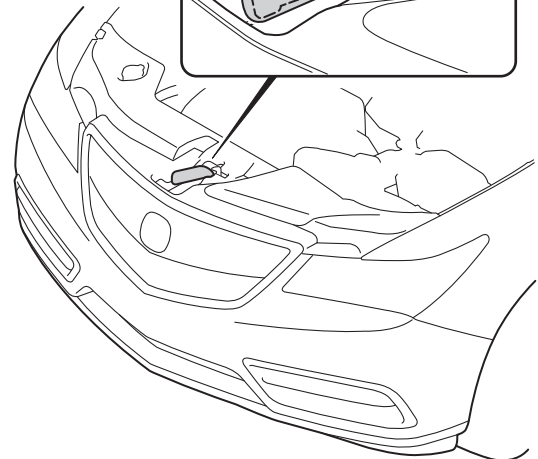
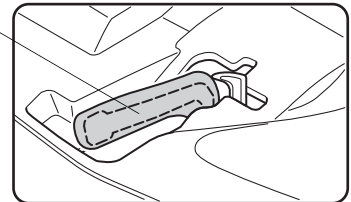
## INSTALLATION

**Client Information:** The information in this installation instruction is intended for use only by skilled technicians who have the proper tools, equipment, and training to correctly and safely add equipment to your vehicle. These procedures should not be attempted by "do-it-yourselfers."

### NOTE:

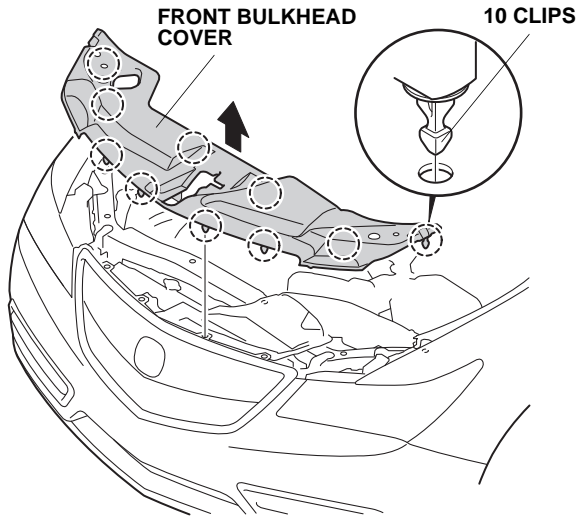
- Observe all safety notes and precautions in the service manual in addition to those in this installation instruction.
  - Be careful not to damage the vehicle.
  - After installing the steering wheel, you must align the steering wheel spoke angle to the straight ahead position by adjusting the front toe.
1. Turn the steering wheel so the front wheels are in the straight-ahead position.
  2. Disconnect the negative cable:
    - Wrap a shop towel around the hood latch.

**HOOD LATCH**  
(Wrap with a shop towel.)



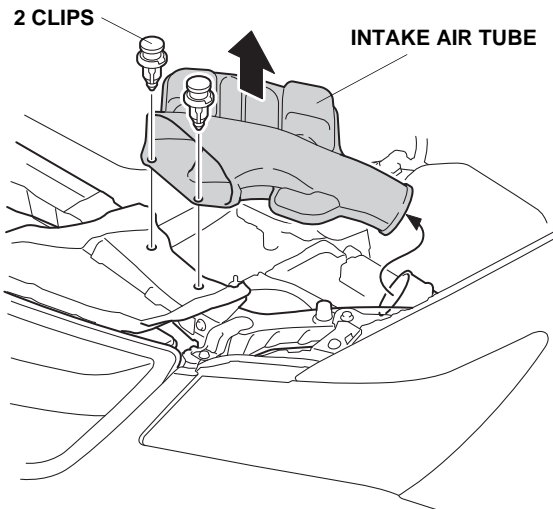
QBN1201BK

- Remove the front bulkhead cover (10 clips).



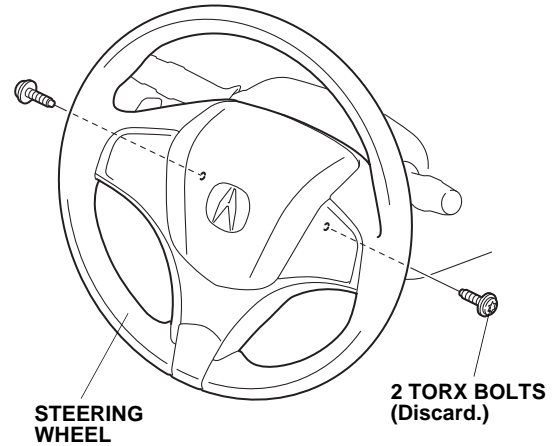
QBN1202BK

- Remove the intake air tube (two clips).
- Disconnect the negative cable from the battery, and wait at least 3 minutes before you start to install the steering wheel.  
NOTE: The steering wheel automatically moves fully in and up. Make sure that the steering wheel is not interfering with the vehicle parts.



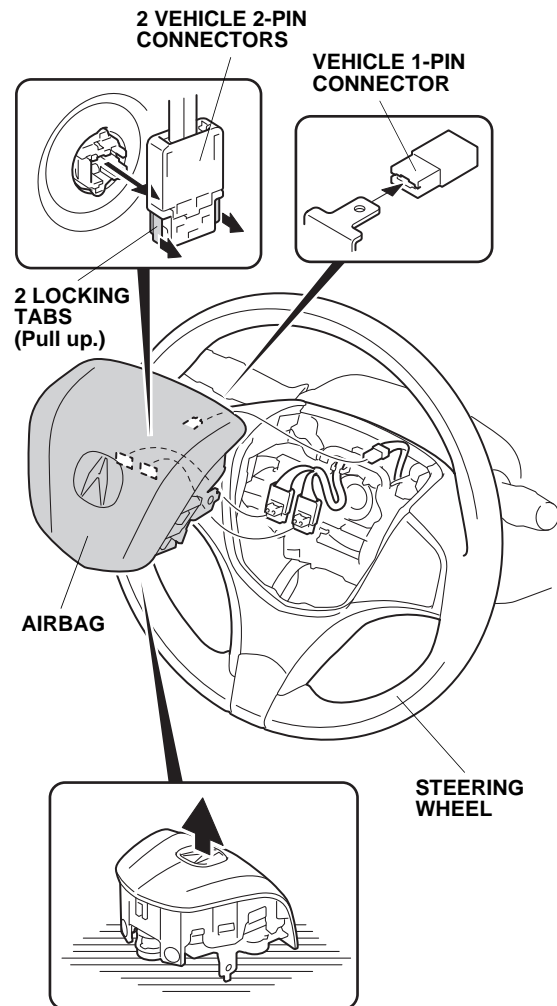
QBN1504Bk

- Remove the two TORX bolts.



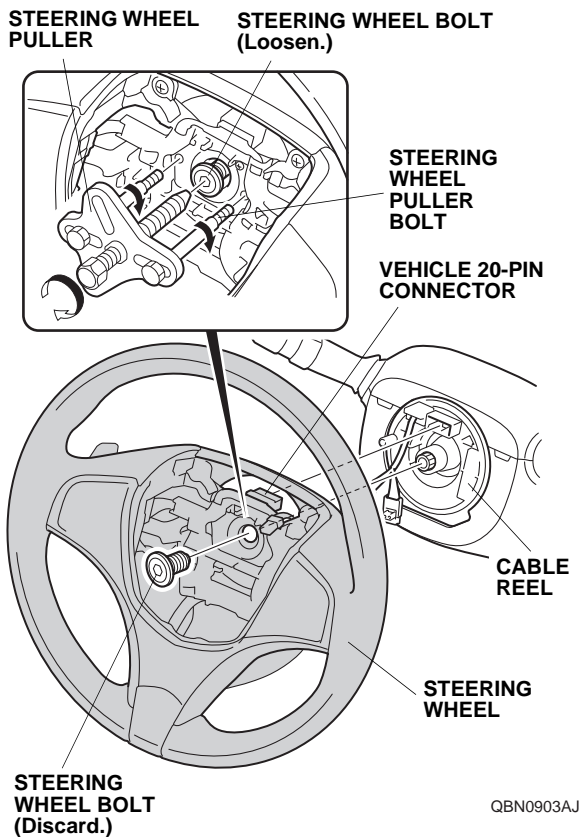
QBN0901AJ

- Unplug the two vehicle 2-pin connectors (pull up on the locking tabs) and the vehicle 1-pin connector.  
NOTE: Be careful not to damage the connectors.



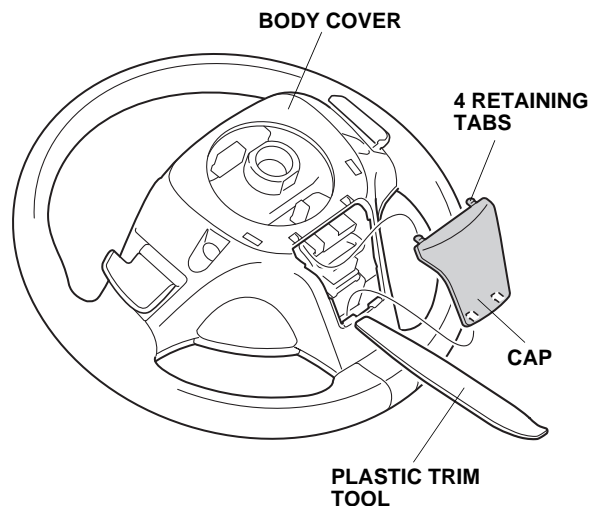
QBN0902BJ

- Remove the airbag. Do not drop the removed airbag or hit it on an object. Place the removed airbag on a safe place with the pad surface (top) facing upward.
- With the front wheels aligned in the straight forward position, unplug the vehicle 20-pin connector from the cable reel, and loosen the steering wheel bolt.

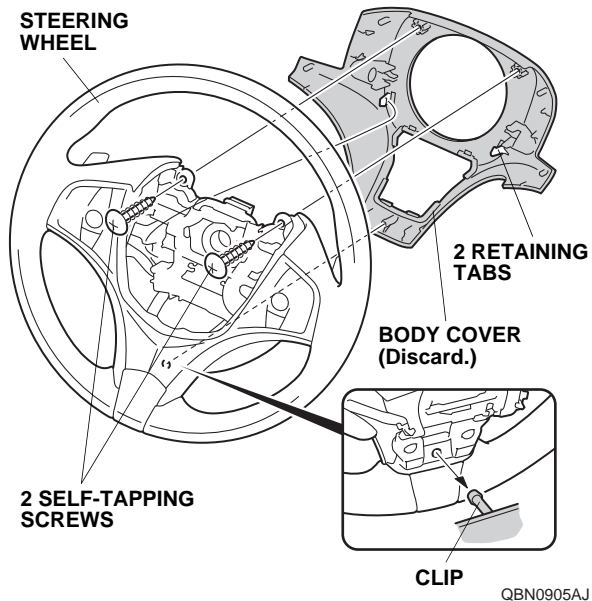


- Using a steering wheel puller, release the steering wheel. Do not thread the steering wheel puller bolts in more than 5 mm (0.2 in.). When removing the vehicle steering wheel, take care not to move the front wheels.
- Remove the steering wheel bolt, then remove the steering wheel.

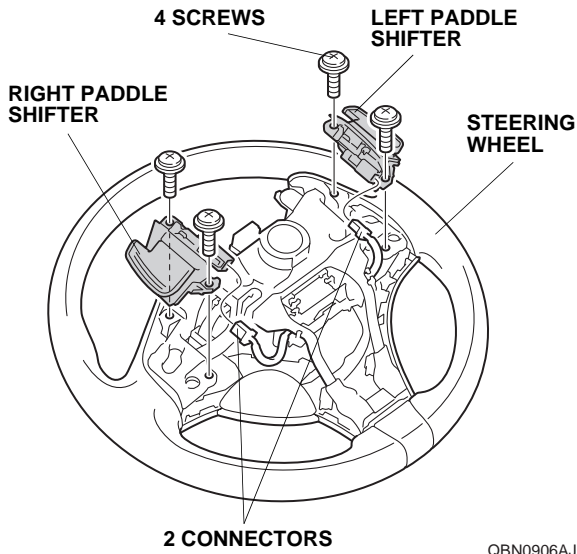
- Using a plastic trim tool, remove the cap from the body cover (four retaining tabs).



- Remove the body cover (two self-tapping screws, two retaining tabs, and one clip).

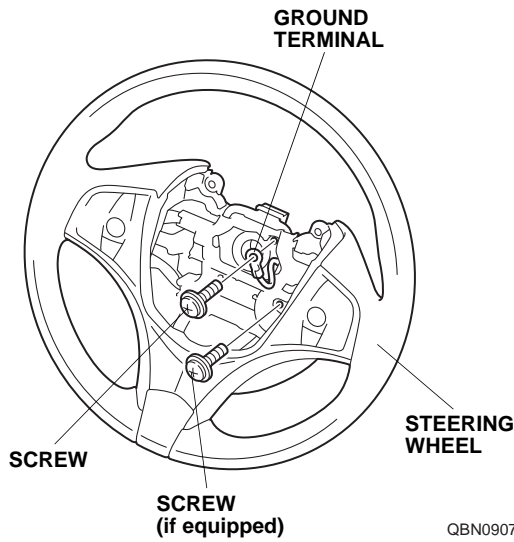


11. Remove the left and right paddle shifters from the steering wheel (unplug two connectors and four screws).



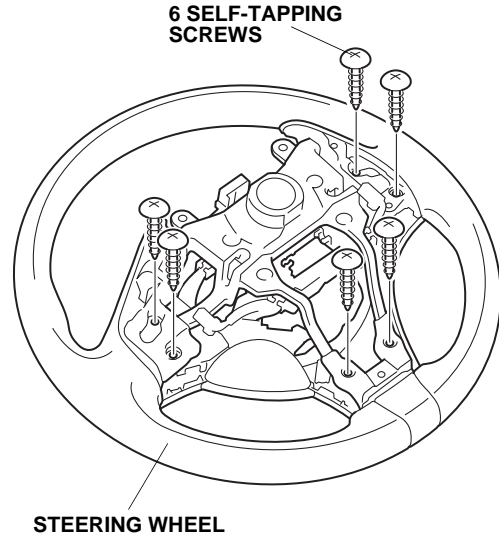
QBN0906AJ

12. Remove the screw(s).



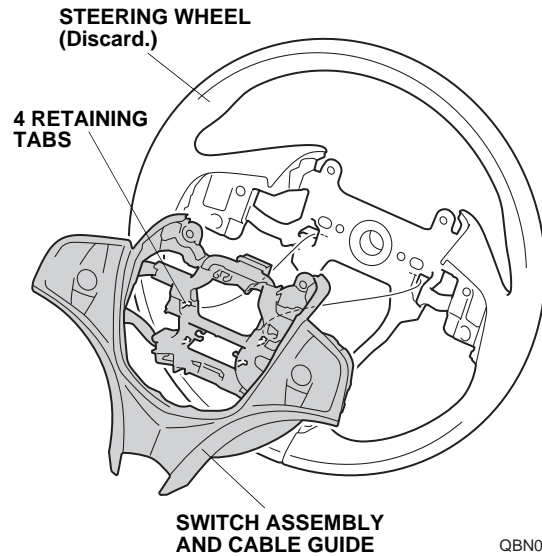
QBN0907AJ

13. Remove the six self-tapping screws.



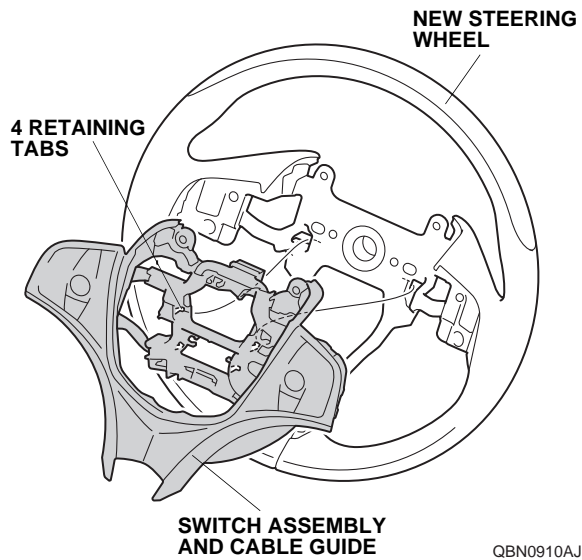
QBN0908AJ

14. Remove the switch assembly and cable guide (four retaining tabs).

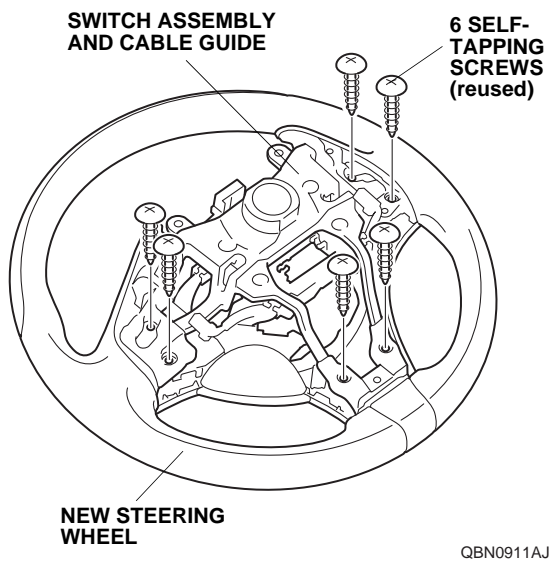


QBN0909AJ

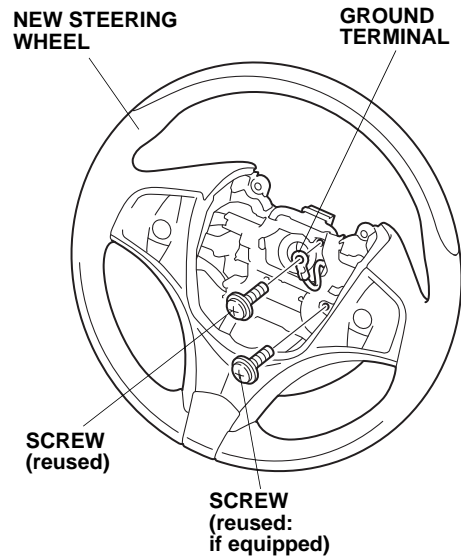
15. Install the switch assembly and cable guide to the new steering wheel.



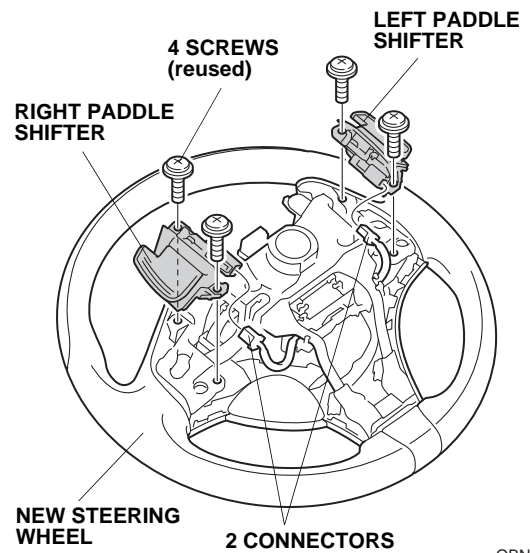
16. Secure the switch assembly and cable guide to the new steering wheel with the six self-tapping screws.



17. Install the screw(s) and ground terminal.

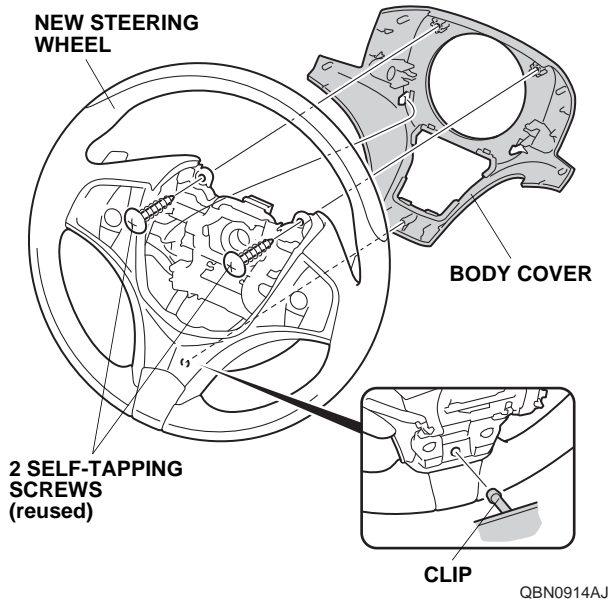


18. Install the left and right paddle shifters to the new steering wheel with four screws.

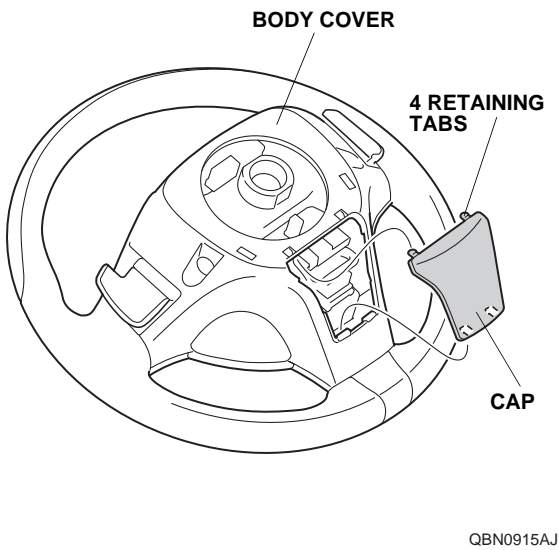


19. Plug two connectors into the left and right paddle shifters.

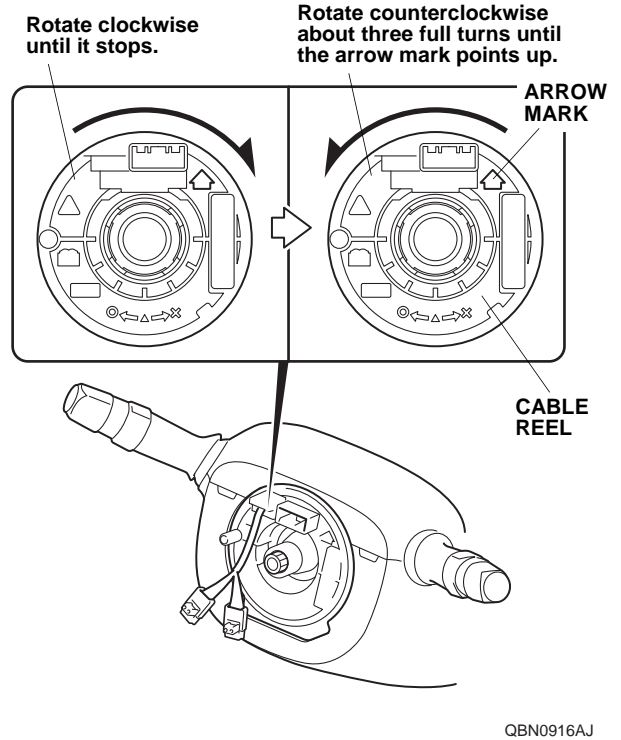
20. Install the body cover to the new steering wheel with two self-tapping screws.



21. Reinstall the cap to the body cover.

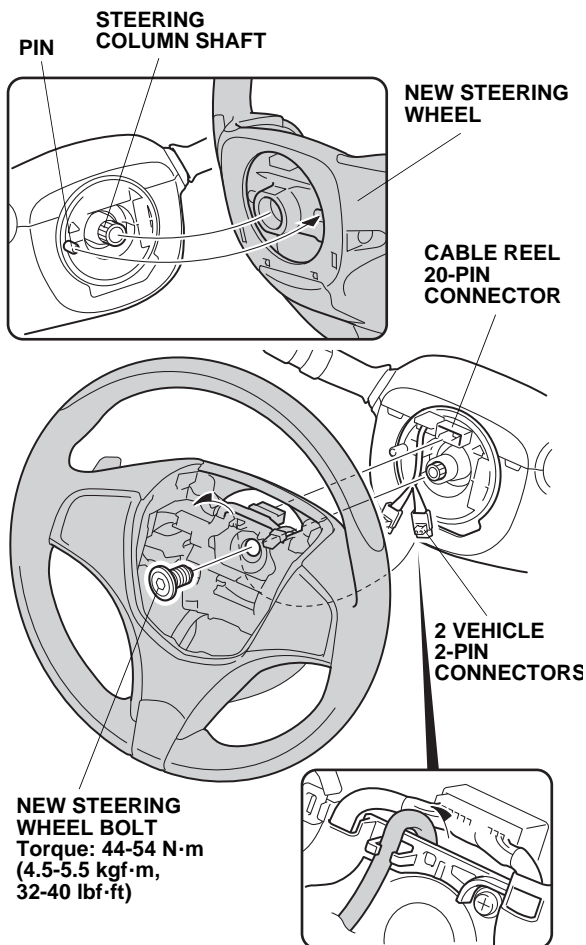


22. Before installing the steering wheel, make sure the front wheels are pointing straight ahead, then center the cable reel. Do this by first rotating the cable reel clockwise until it stops, then rotate it counterclockwise about three full turns. The arrow mark on the cable reel label should point straight up.



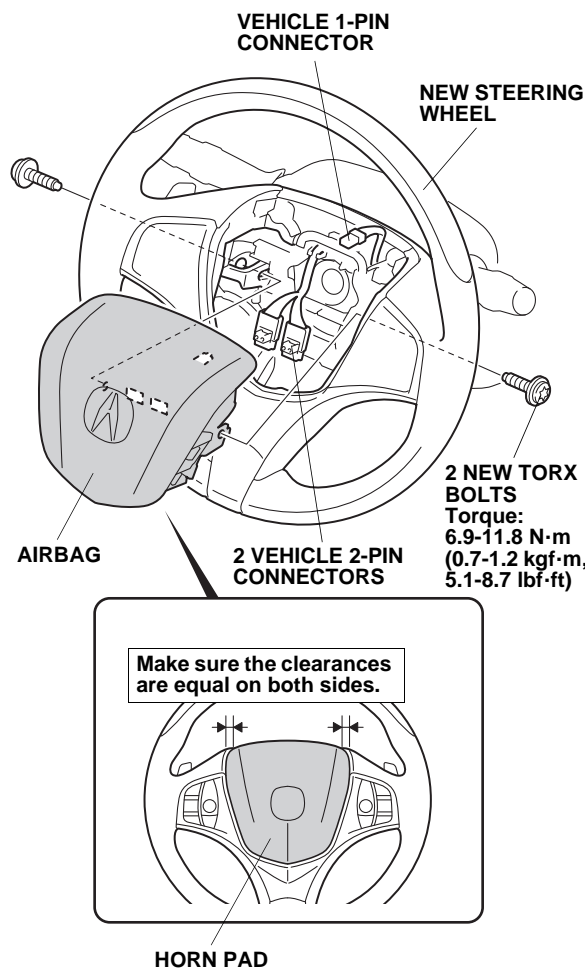


23. Install the new steering wheel to the steering column shaft in the straight-ahead position:
- Route the two vehicle 2-pin connectors through the opening in the new steering wheel.
  - Plug the vehicle 20-pin connector to the cable reel.
  - Check that the wire harnesses are not pinched.



24. Install the new steering wheel bolt. Torque the steering wheel bolt to 44-54 N·m (4.5-5.5 kgf·m, 32-40 lbf·ft).

25. Install the airbag on the new steering wheel with two new TORX bolts (plug two vehicle 2-pin connectors and one vehicle 1-pin connector).
- Alternately tighten the right and left TORX bolts so that the gaps on the right and left sides between the horn pad and the steering wheel are even. Torque the TORX bolts to 6.9-11.8 N·m (0.7-1.2 kgf·m, 5.1-8.7 lbf·ft).
  - TORX bolts are coated with non-hardening thread lock sealant, so they cannot be reused. When installing the steering wheel, be sure to replace the TORX bolts with the ones included in this kit.



26. Check that all wire harnesses are routed properly and all connectors are plugged in.
27. Reconnect the negative cable to the battery.
28. Reinstall the all removed parts.
29. Connect the HDS/MVCI, and clear the DTCs.
30. Inspect the following items. If any abnormality is found, perform troubleshooting as described in the service manual of the vehicle.
  - Press the engine start/stop button to the ON mode: the SRS indicator should come on for about 6 seconds and then go off.
  - Make sure the horn and steering wheel switches work properly.
31. Press and hold the radio power button for two seconds to restore the radio and navi (if equipped) system functions.
32. Reset the clock on vehicles without navigation.
33. Restore the systems back to normal operation as described in the service manual if necessary.
34. Make sure the steering wheel is in the straight-ahead position with the front wheels. If the spoke angle of the steering wheel is not in the straight-ahead position with the front wheels, adjust the front toe as described in the service manual.