

**ACURA**  
**INSTALLATION**  
**INSTRUCTIONS**

Accessory
<b>FULL NOSE MASK</b> <b>P/N 08P35-STX-200</b>

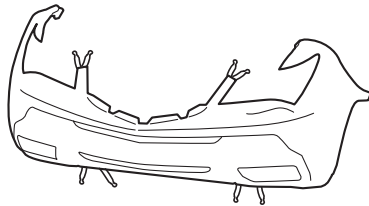
Application
<b>MDX</b>

Publications No.
<b>BII 33260</b>
Issue Date
<b>OCT 2006</b>

**Put this instructions in the glove box with the vehicle owner's manual.**

**PARTS LIST**

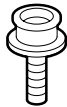
Mask  
(bumper section)



Mask  
(hood section)



2 Snap-screws



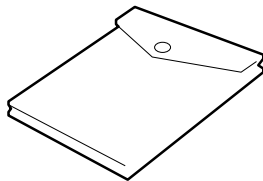
2 Washers



2 Fenderwell nuts



Storage bag



**TOOLS REQUIRED**

- Stubby #2 Phillips screwdriver
- Clip remover
- Scissors

**INSTALLATION**

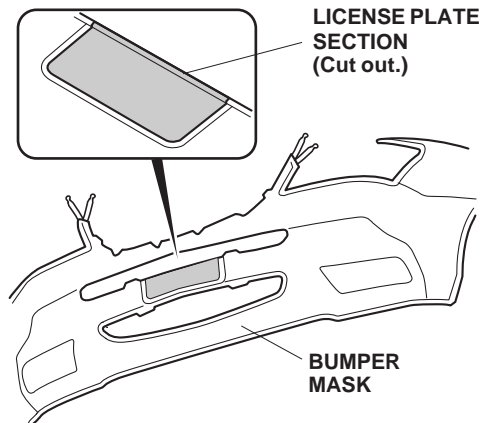
**NOTE:**

- Mask sure the vehicle and the nose mask are clean and completely dry before installation. If moisture under the mask is allowed to dry, it may cloud the paint. If the mask gets wet, remove it and allow it to air-dry completely.
- Make sure any repainted surfaces are cured.
- Make sure the hood and nose of the vehicle have been waxed with a high-quality paste wax.
- Make sure to install the nose mask securely. If the nose mask starts to flap or comes loose while driving, safely pull off the highway, stop the vehicle, and secure or remove the mask.
- The nose mask cannot be installed if the vehicle is equipped with fender flares, an air deflector or lower trim.

**Displaying the License Plate**

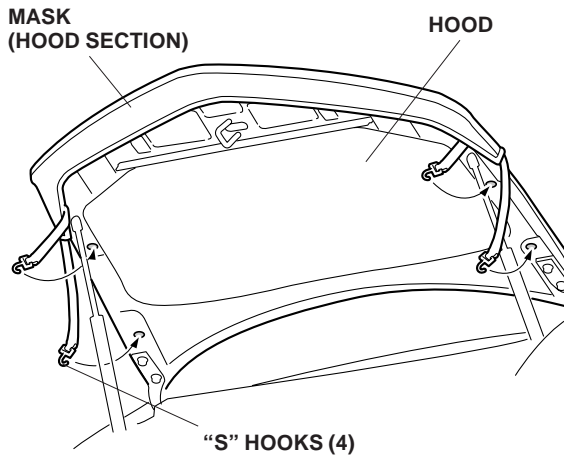
If your state law requires the display of both license plates, cut out the piece of the bumper section that covers the front license plate:

- Face the inside of the mask toward you.
- Carefully cut out the license plate section with scissors at the top seam, and remove the overcast stitching.



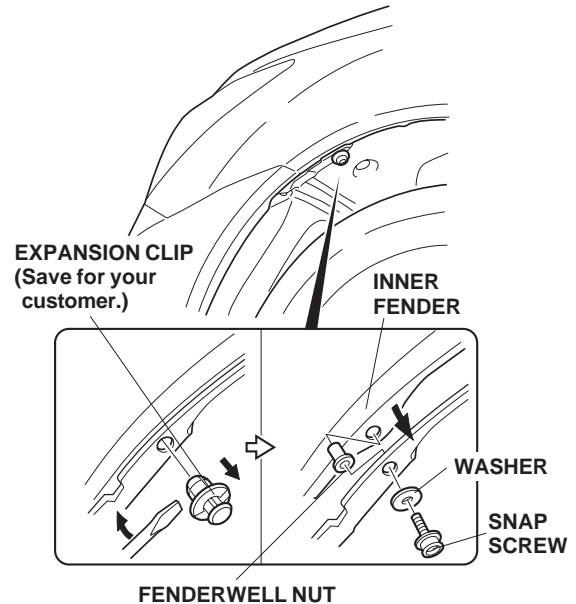
## Installing the Hood Section

1. Open the hood, and fit the corners of the mask around the hood, and adjust it so it fits smoothly over the edges. Attach the four "S" hooks to the holes in hood.



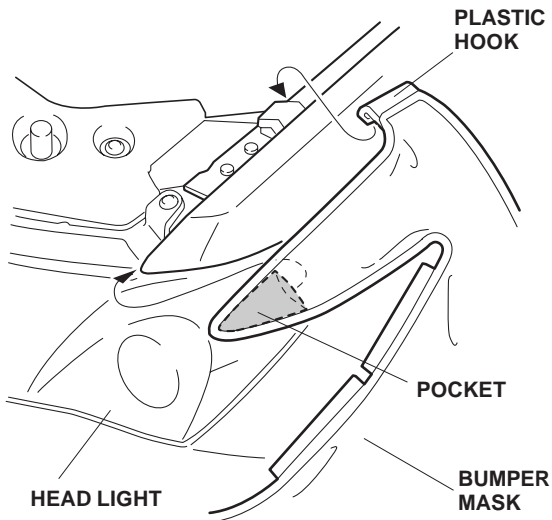
## Installing the Bumper Section

2. Turn the steering wheel all the way clockwise.
3. Remove the expansion clip that fasten the inner fender; remove and retain the clip, then clean the area around the hole.

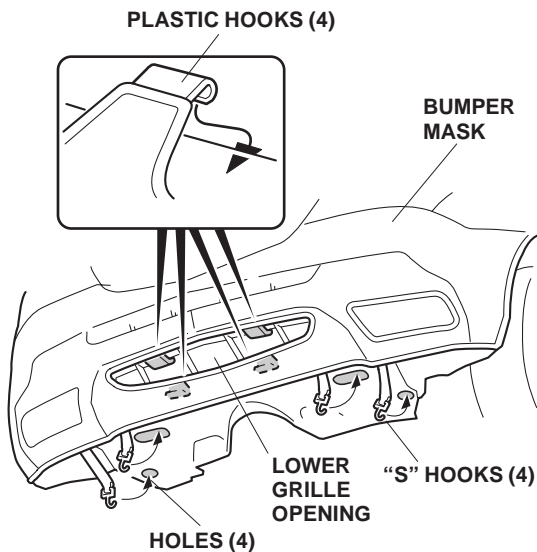


4. Pull the inner fender away, and press one fenderwell nut into the hole in the fender flange.
5. With a washer in place, securely tighten one snap-screw into the fenderwell nut.
6. Turn the steering wheel all the way counterclockwise, and repeat steps 3 through 5 on the other side of the vehicle.

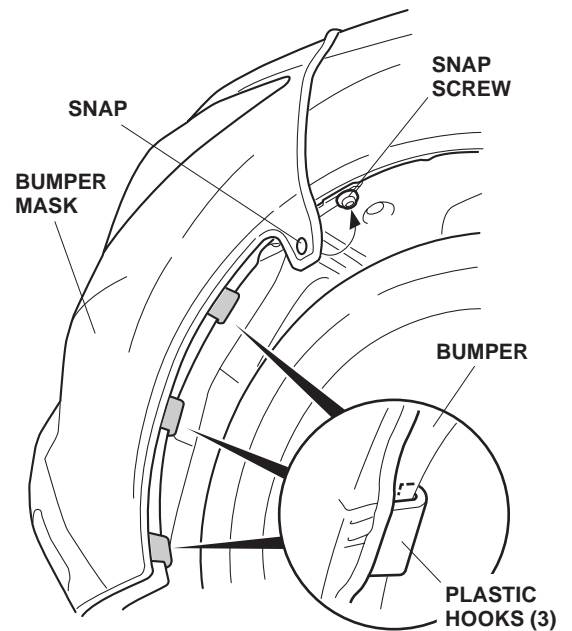
- Slip the pocket of the mask's fender section onto the front corner of the fender; then attach the plastic hook to the top inside edge of the fender. Fit the mask across the bumper, and attach the mask to the other side the same way.



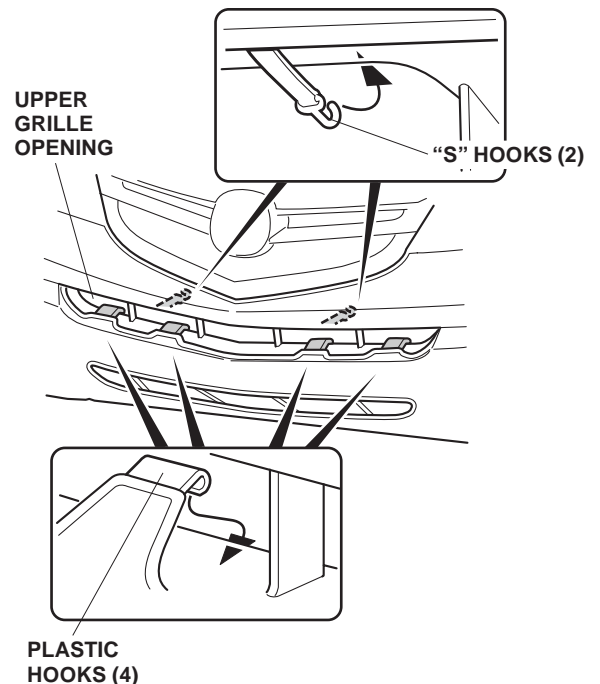
- Attach the four "S" hooks to the holes in the bottom of the bumper, and attach the four plastic hooks to the inside edge of the lower grille opening.



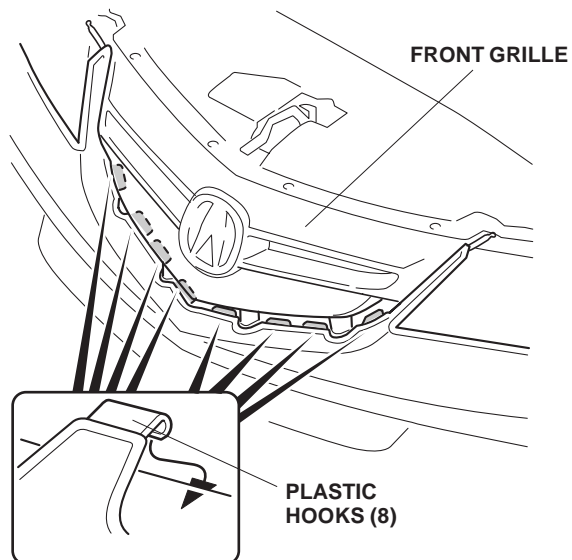
- Pull the mask back toward the wheelwell, smooth out any wrinkles, and then snap the mask onto the snap-screw. Attach the three plastic hooks of the bumper mask to the edge of the front bumper. Repeat on the other side.



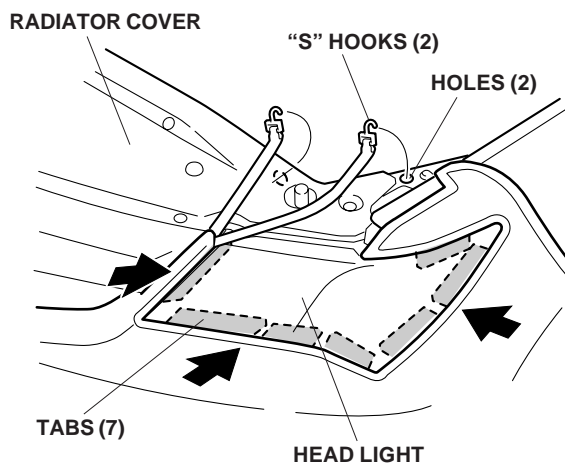
- Attach the four plastic hooks of the bumper mask to the lower inside edge of the upper grille opening. Attach the two "S" hooks to the upper inside edge of the upper grille opening.



11. Attach the eight plastic clips of the bumper mask to the lower inside edge of the front grille opening.



12. On each side of the vehicle, insert the seven tabs between the headlight and the bumper, and attach the two "S" hooks to the hole of the radiator cover.



13. Put these instructions along with the expansion clips (removed in step 3) into the storage bag, and place it in the trunk for future use.

## CLEANING THE NOSE MASK

Use a sponge or cloth and a solution of mild liquid dishwashing soap and water to clean the vinyl and the flannel backing. Rinse the mask completely with clean water, and hang it to dry, out of direct sunlight. Make sure the mask is completely dry before you reinstall it.