



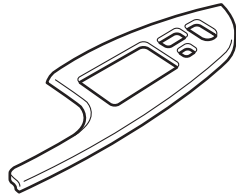
INSTALLATION INSTRUCTIONS

Accessory DOOR SWITCH PANEL TRIM KIT	Application ACCORD 4-DOOR	Publications No. All 25753
		Issue Date AUG 2003

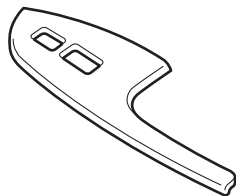
PARTS LIST

- P/N 08Z03-SDA-111A (Birdseye look)
- P/N 08Z03-SDA-121A (Burlwood look)
- P/N 08Z13-SDA-110E (Metal-look)

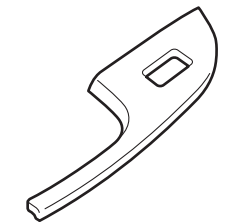
Driver's front door switch panel trim



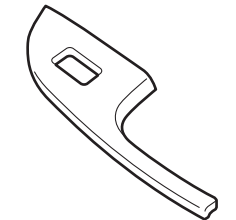
Passenger's front door switch panel trim



Driver's side rear door switch panel trim



Passenger's side rear door switch panel trim



SUPPLIES REQUIRED

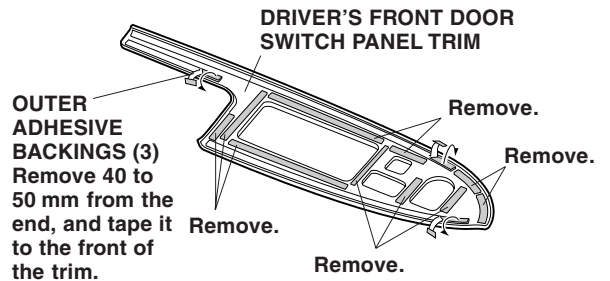
- Isopropyl alcohol
- Shop towel
- Masking tape

INSTALLATION

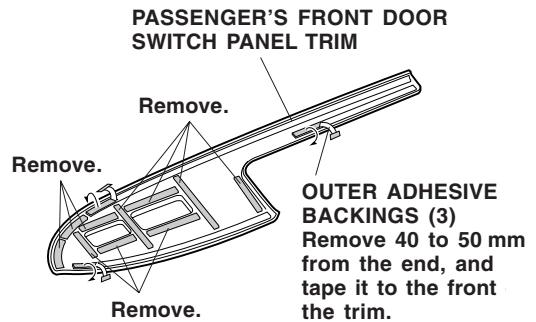
NOTE: This door panel switch trim kit should be installed only if the outside air temperature is 60°F (15°C) or above.

- Using isopropyl alcohol on a shop towel, thoroughly clean the areas where the door panel trim pieces will attach.
- Attach a strip of masking tape to the end of each long piece of outer adhesive backing, and remove 40 to 50 mm of the adhesive backing. Fold the ends back, and tape them to the front of the trim. Remove and discard the remaining adhesive backings.

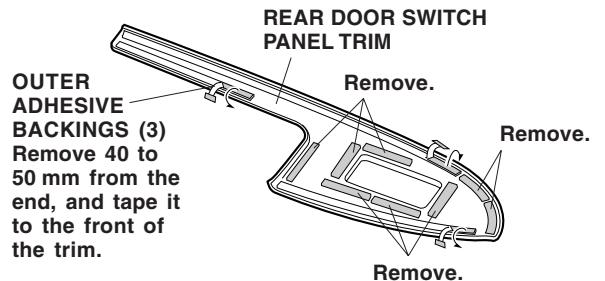
Driver's Front Door Switch Panel Trim:



Passenger's Front Door Switch Panel Trim:

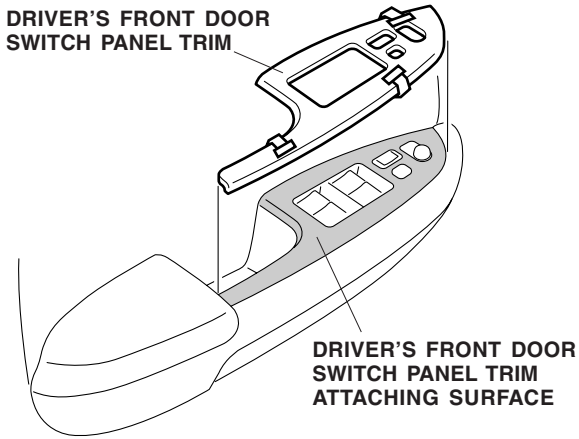


Rear Door Switch Panel Trims:

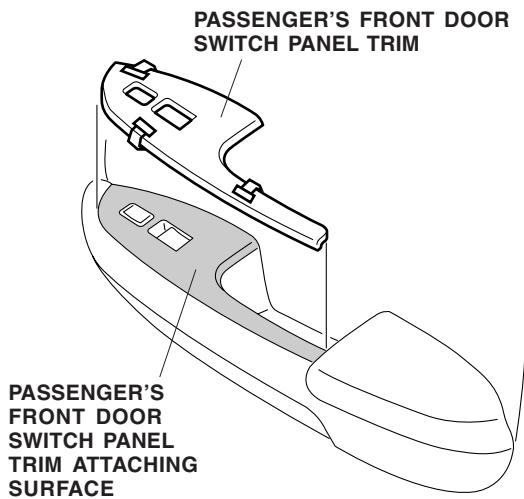


3. Position the trim pieces on the existing panels. While applying light pressure on the trim pieces, carefully remove the adhesive backings.
4. After installing the trim pieces, use the palm of your hand to hold pressure against it for 30 seconds.

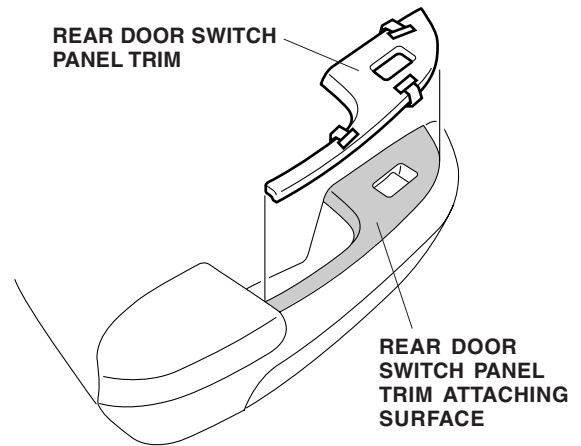
Driver's Front Door Switch Panel Trim:



Passenger's Front Door Switch Panel Trim:



Rear Door Switch Panel Trims:



USE AND CARE

Use a sponge or soft cloth dampened with liquid dishwashing soap and water solution. After cleaning, wipe with a clean, soft cloth. Do not use cleaners or polishers containing abrasive compounds to clean the door panel trim pieces as they may damage the surface.