



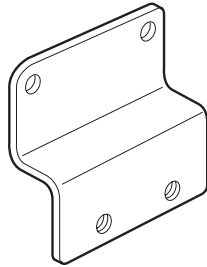
# INSTALLATION INSTRUCTIONS

Accessory <b>CENTER CONSOLE CD CHANGER ATTACHMENT</b>	Application <b>ACCORD 2- AND 4-DOOR</b>	Publications No. <b>All 24380</b>
		Issue Date <b>AUG 2002</b>

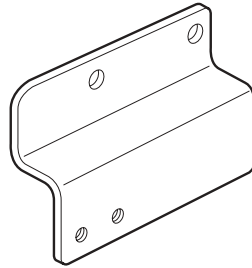
## PARTS LIST

**Attachment Kit:  
P/N 08B26-SDA-Z00**

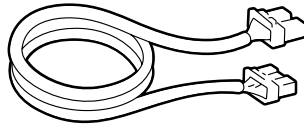
CD changer bracket A



CD changer bracket B



BUS cable



2 Washer-screws, 5 x 10 mm



4 Washer-screws, 4 x 8 mm



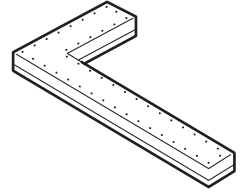
2 Stepped washer-screws



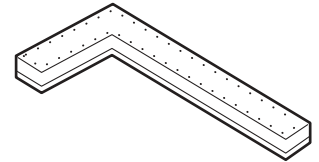
2 Plain washers



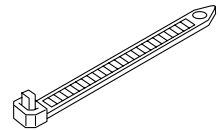
CD changer cushion A



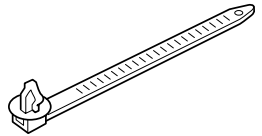
CD changer cushion B



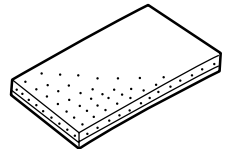
6 Wire ties



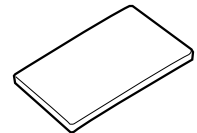
Wire tie with clip



3 EPT sealers

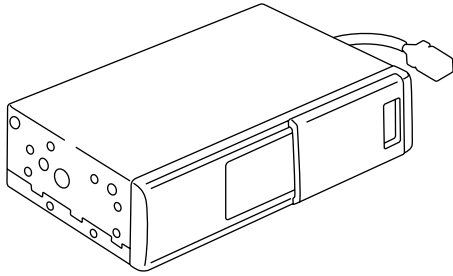


2 Cushion tapes

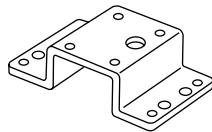


**CD Changer :**  
**P/N 08A26-5E1-100**

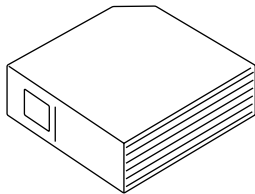
CD changer



Bracket



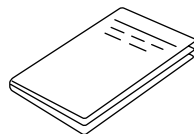
8-Disc CD magazine



8 Washer-screws, 4 x 6 mm



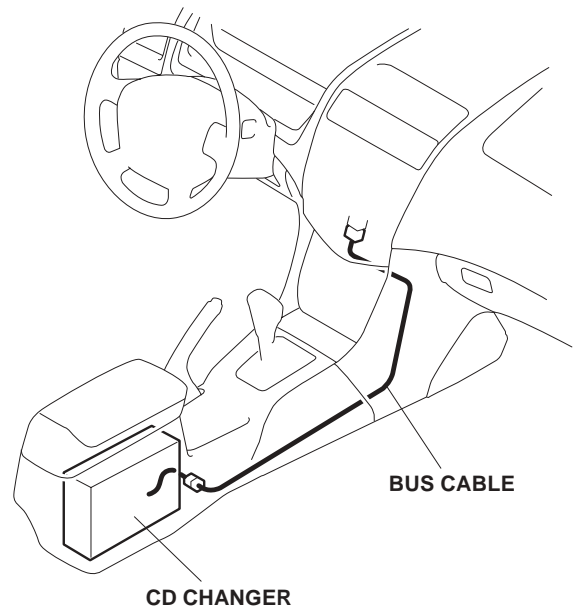
Owner's Manual



**TOOLS AND SUPPLIES REQUIRED**

- Phillips screwdriver
- Flat-tip screwdriver
- Small flat-tip screwdriver
- 10 mm Combination wrench
- Drill
- 3 mm and 7 mm Drill bits
- Round file
- Isopropyl alcohol
- Shop towel
- Masking tape
- Hook tool
- Tape measure
- Eye protection (face shield, safety goggles, etc.)

**Illustration of the components installed on the car**



**INSTALLATION**

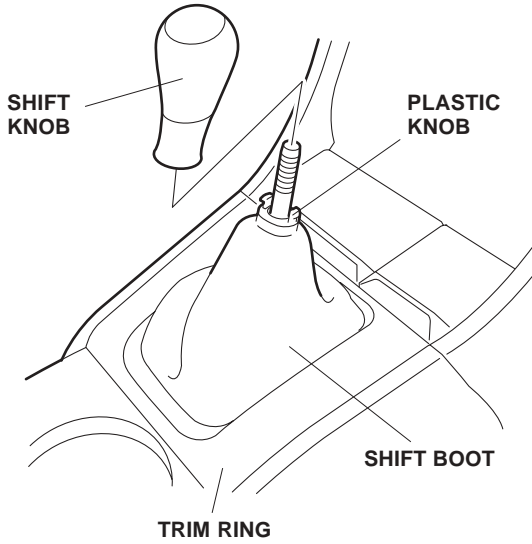
**Customer Information:** The information in this installation instruction is intended for use only by skilled technicians who have the proper tools, equipment, and training to correctly and safely add equipment to your car. These procedures should not be attempted by "do-it-yourselfers."

1. Make sure you have the anti-theft code for the radio, then write down the frequencies for the preset buttons.
2. Disconnect the negative cable from the battery.

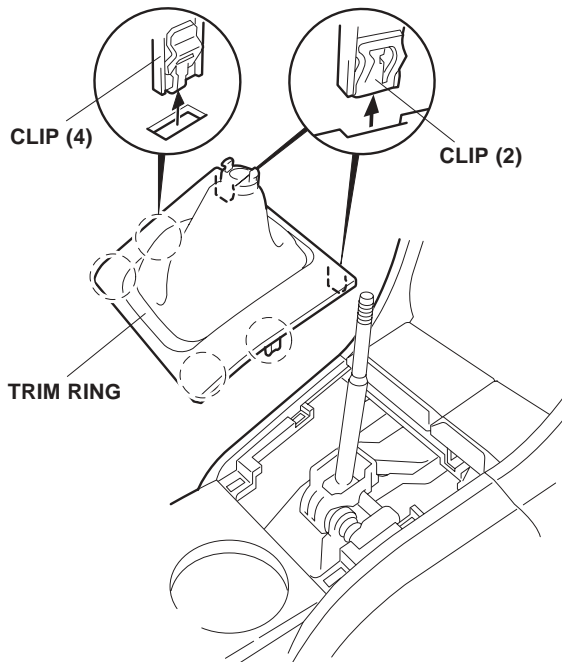
3. Remove the trim ring.

#### M/T Model

- Squeeze the plastic clip and pull down on the shift knob. Remove the shift knob by turning it counterclockwise.

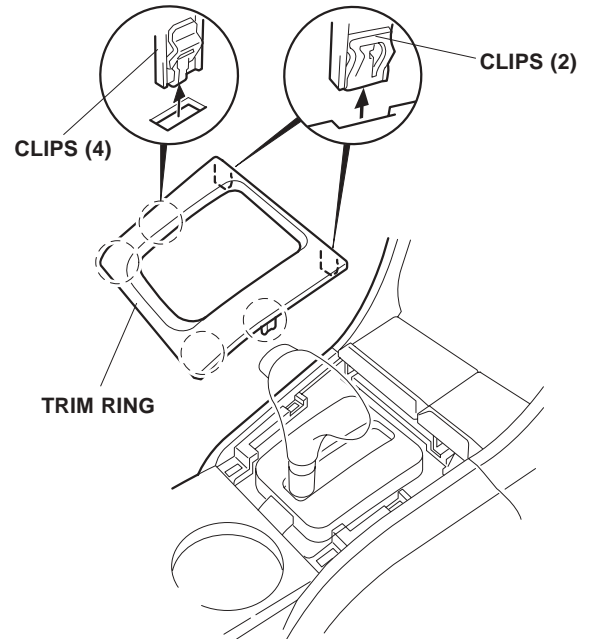


- Gently pry up on the trim ring to release the six clips.

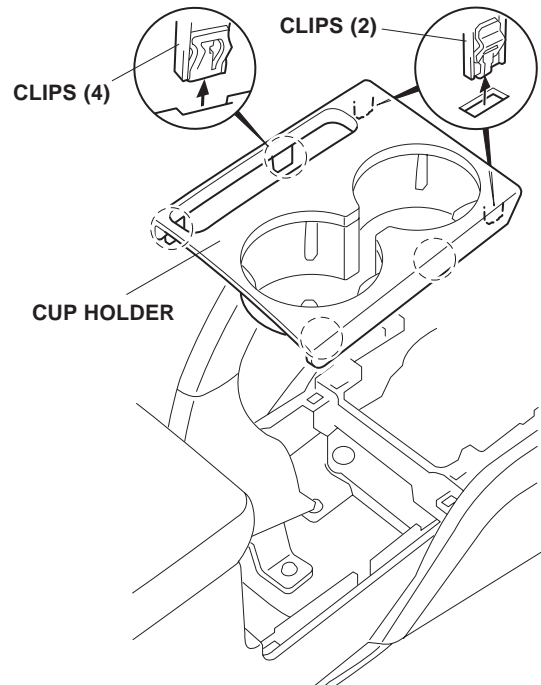


#### A/T Model

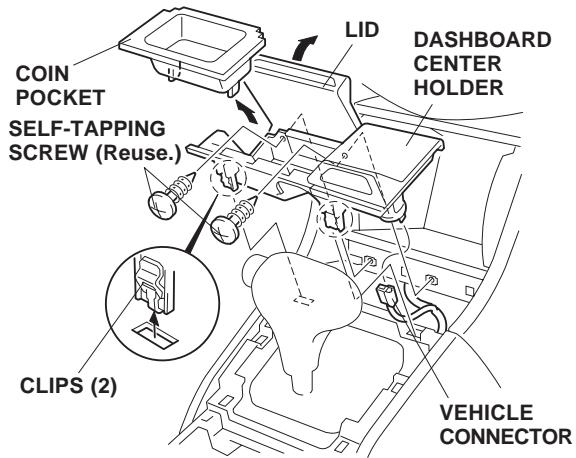
- Gently pry up on the trim ring to release the six clips, and remove the trim ring.



4. Pry up on the cup holder to release the six clips, and remove the cup holder.

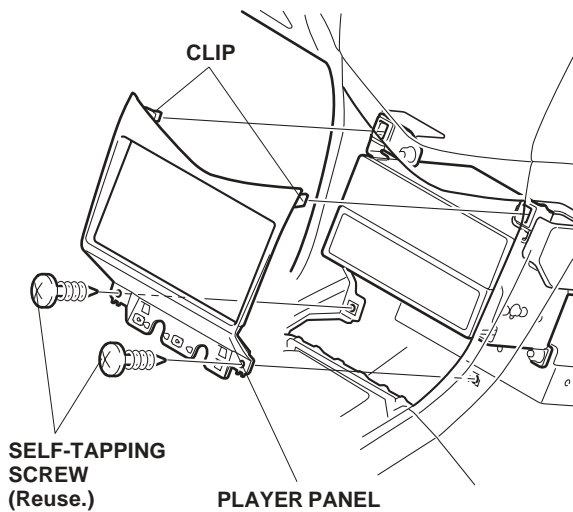


5. Remove the dashboard center holder.
  - Open the coin pocket lid and remove the coin pocket.
  - Remove the two self-tapping screws.
  - Gently pull out on the dashboard center holder to release the two retaining clips, unplug the vehicle connector, and remove the center holder.

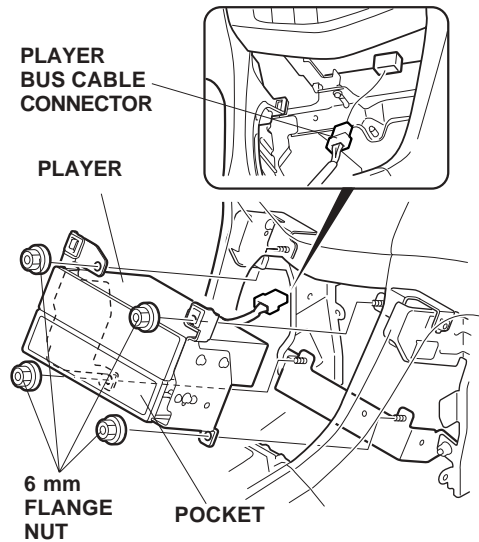


*If the car is equipped with a cassette or a multi-media player, continue with step 6; if not, go to step 7.*

6. Remove the player.
  - Remove the player panel by removing the two self-tapping screws and two clips.

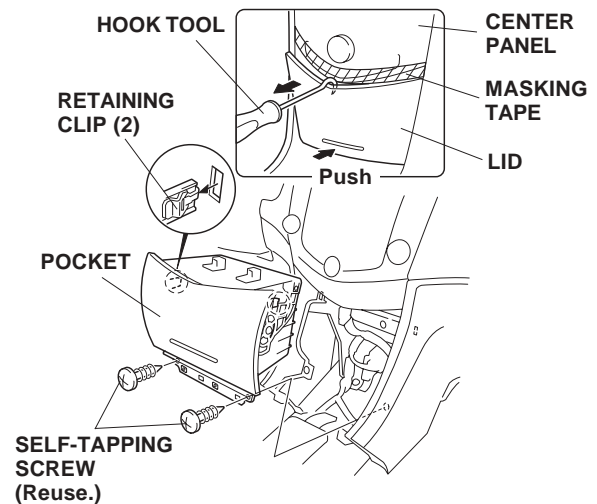


- Remove the four 6 mm flange nuts that fasten the player and pocket. Remove the player and pocket by pulling it out toward you, and unplugging the player BUS cable connector.

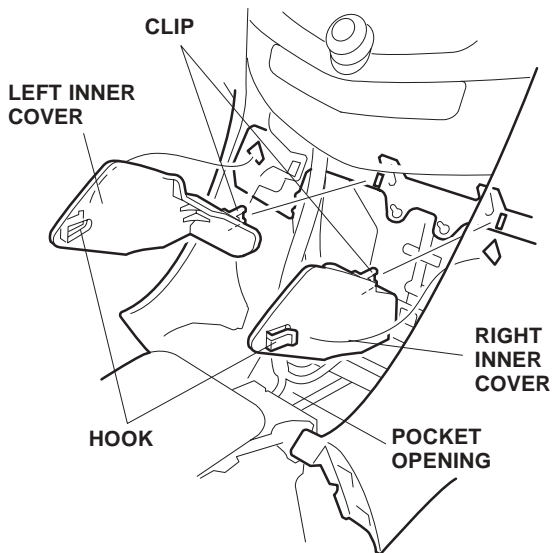


- Go to step 8.

7. Remove the pocket:
  - Apply masking tape to the edge of the center panel.
  - Remove the two self-tapping screws.
  - Push in on the bottom of the lid, then pull out on the top by inserting the end of hook tool between the pocket and center panel, and pulling it to out toward you to release the two retaining clips.

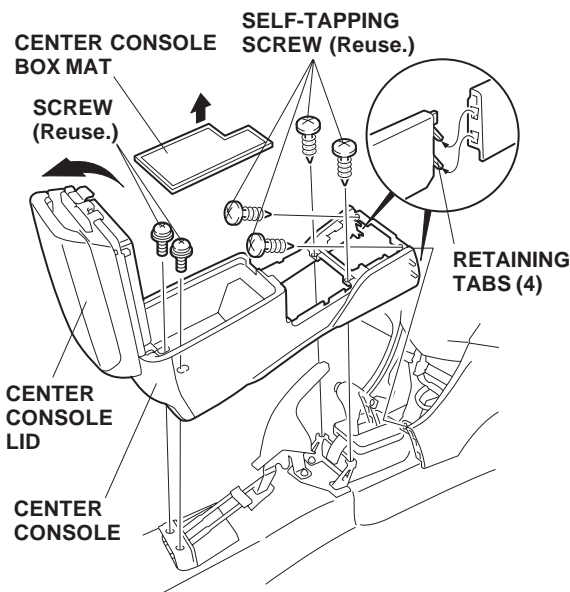


- Remove the right and left inner covers (one hook and one clip for each cover).



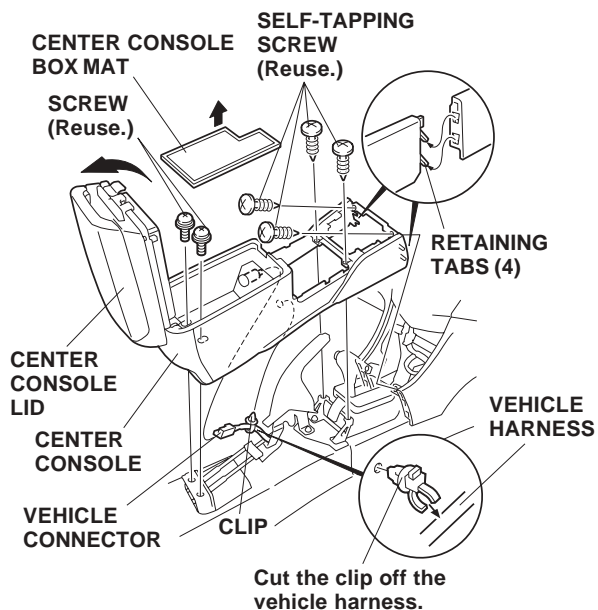
- Open the center console lid, and remove the center console box mat. Remove the center console by removing the four self-tapping screws and two screws and releasing the four retaining tabs.

**Without Accessory Socket:**

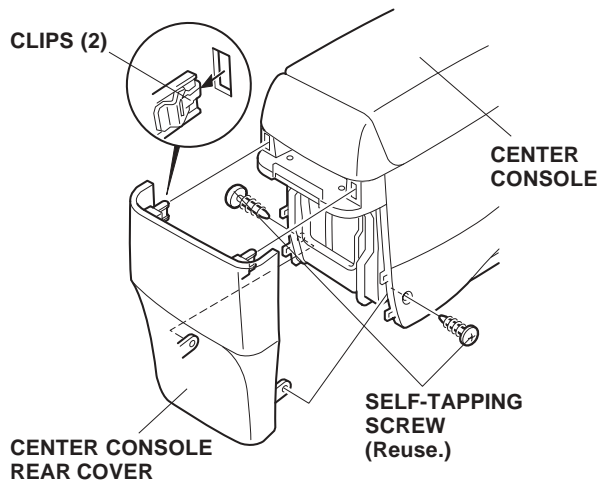


**With Accessory Socket:**

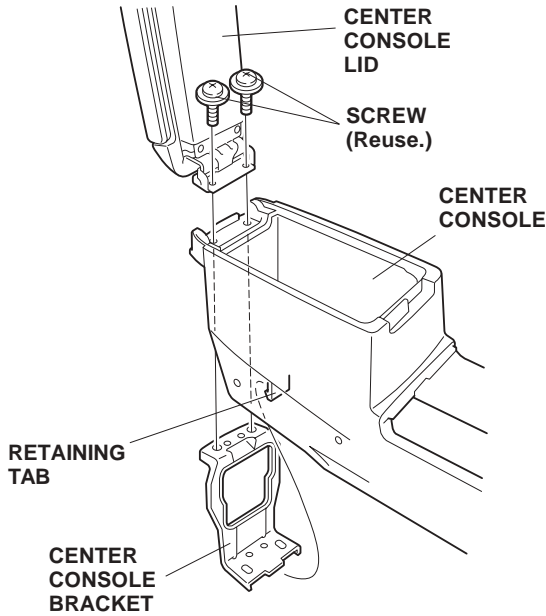
- Remove the clip from the center console, and unplug the vehicle connector and remove the console.
- Cut the clip off the vehicle harness. Take care not to damage the vehicle harness.



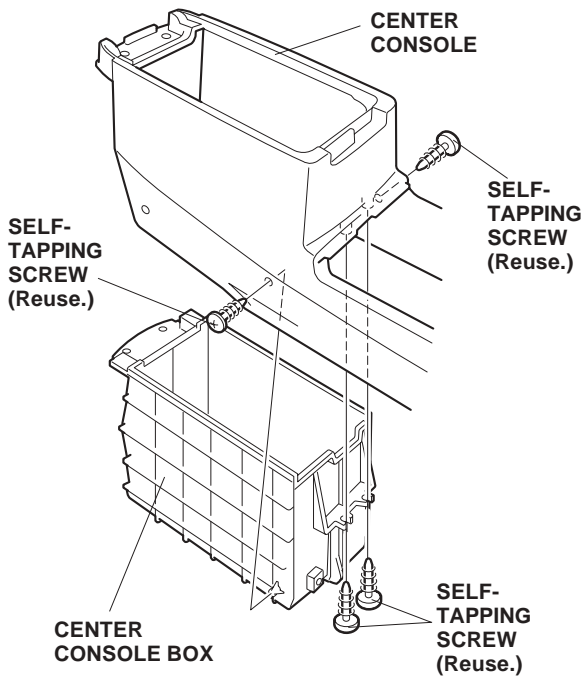
- Remove the center console rear cover (two self-tapping screws, and two clips).



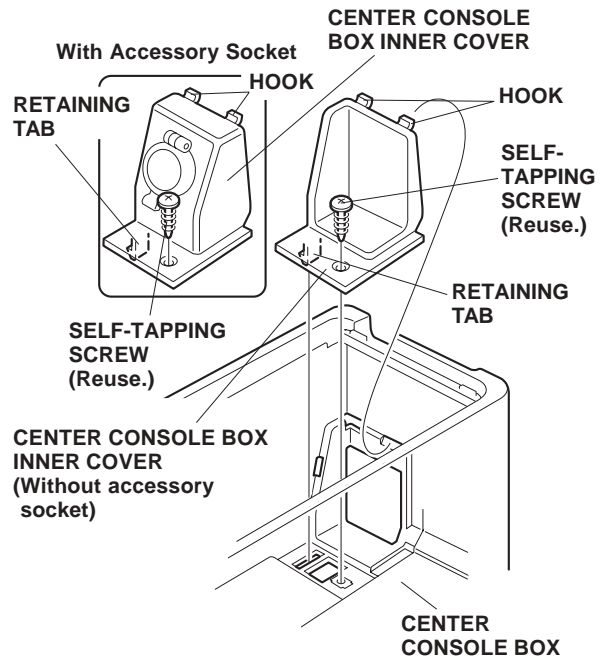
- Remove the two screws that fasten the center console lid and center console bracket to the center console. Remove the lid and center console bracket by releasing the retaining tab.



- Remove the center console box (four self-tapping screws).

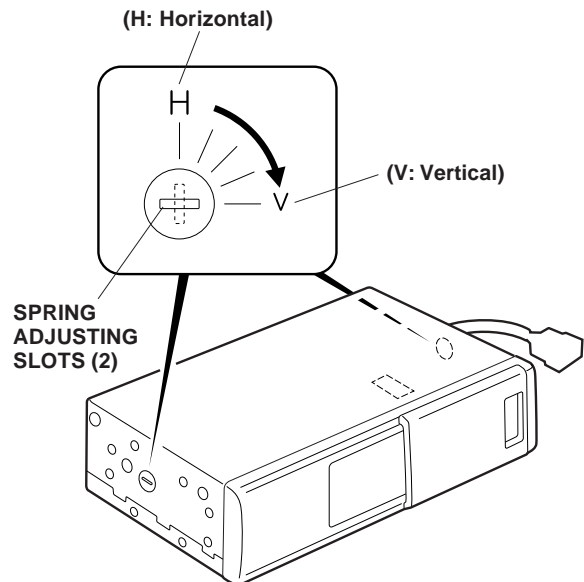


- Remove the center console box inner cover (one self-tapping screw and release one retaining tab, and two hooks).

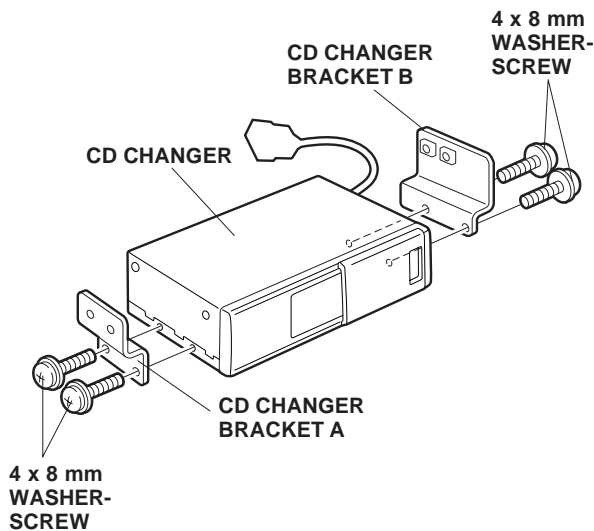


### Installing the CD Changer

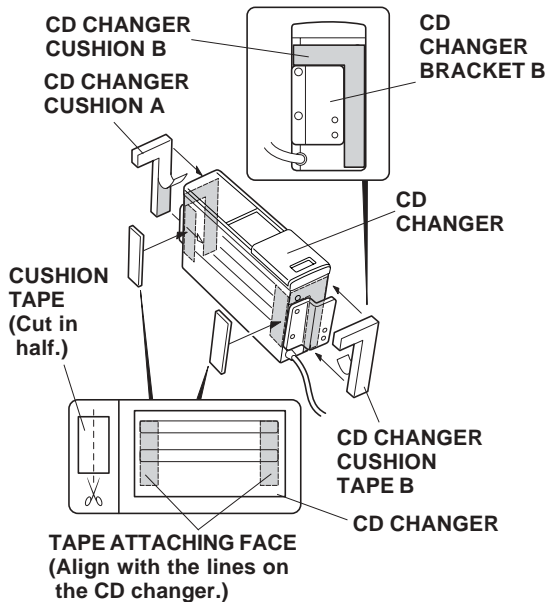
- Visually check the position of the spring adjusting slots on both sides of the CD changer. If both of the spring adjusting slots are not in the vertical (V) position, move the slots to the vertical position using a small flat-tip screwdriver.



- Position the side brackets on the CD changer and install the four 4 x 8 mm washer-screws included with the attachment kit.

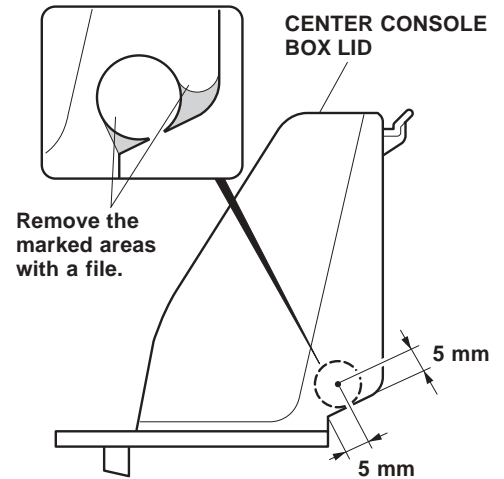


- Remove the adhesive backings from the CD changer cushions A and B, and attach them to both sides of the CD changer.

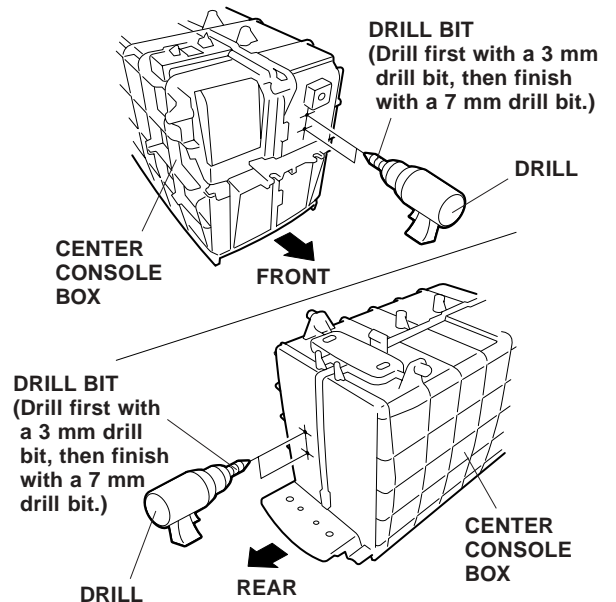


- Using scissors, cut the cushion tape in half. Attach the two cushion tapes to the CD changer in the areas shown.

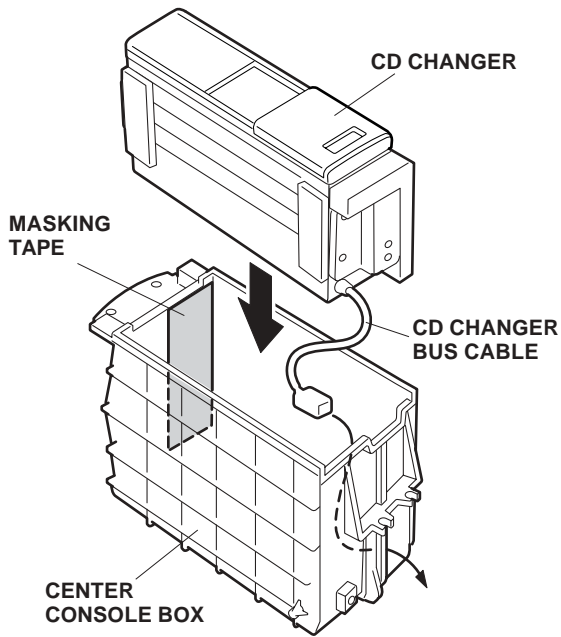
- Using a tape measure and a felt-tip pen, measure and mark the center console box inner cover as shown.



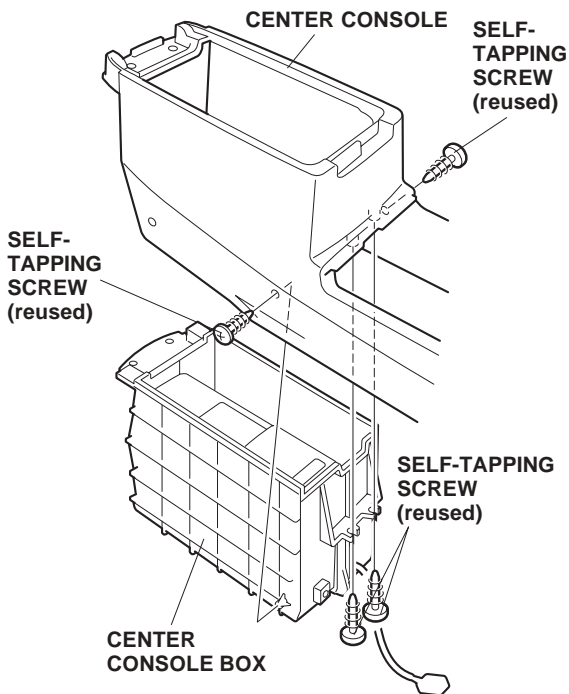
- While wearing eye protection, drill a 10 mm hole at the marked location. First drill with 3 mm drill bit, and finish with a 10 mm drill bit. After drilling, remove any burrs and any material from the hole using a file.
- Locate the four marks on the front and rear of the center console box. While wearing eye protection, drill with a 3 mm bit, and finish with a 7 mm bit through each marked location. After drilling, remove any burrs from the edges of the holes with a file.



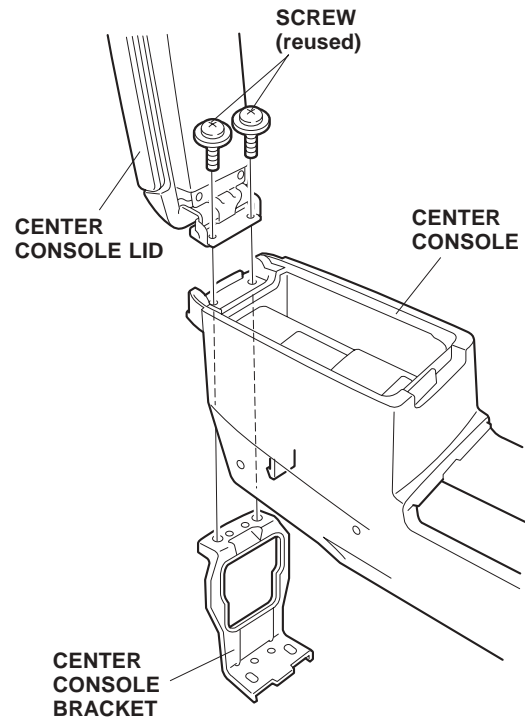
21. Attach masking tape to the center console box in the area shown. Route the CD changer BUS cable out through the lid opening, then carefully slide the CD changer into the console box.



22. Reinstall the center console box into the center console using four self-tapping screws removed in step 12.



23. Reinstall the center console lid and center console bracket onto the center console.



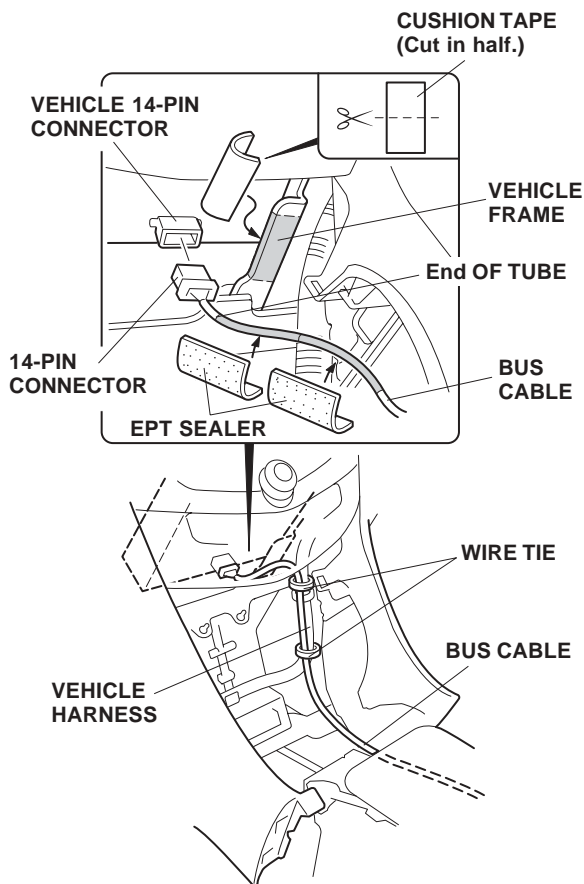


## Routing the BUS cable

24. Plug in the BUS cable.

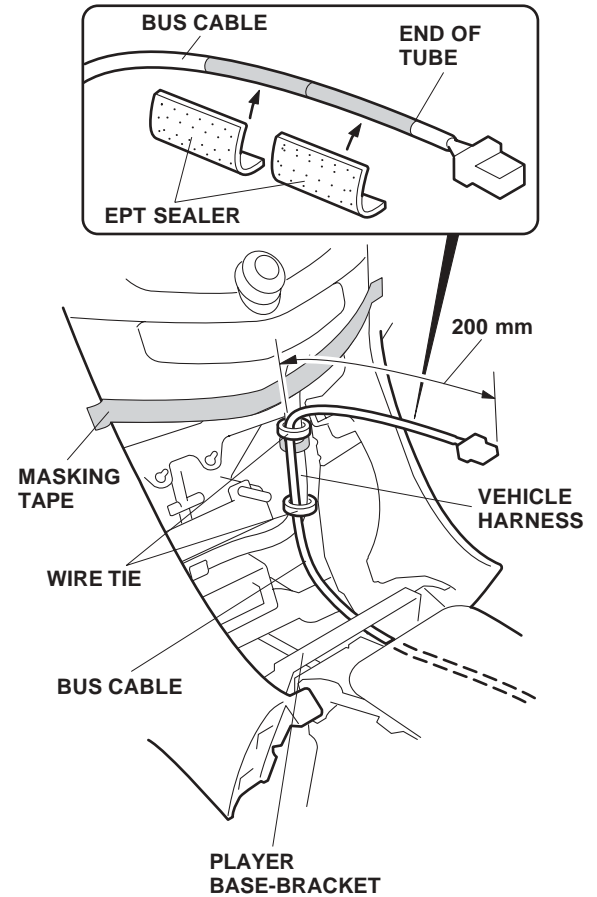
### Without Player:

- At the center console, clean the vehicle frame with isopropyl alcohol where the cushion tape will attach. Using scissors, cut the cushion tape in half, and attach one half of the cushion tape to the edge of the vehicle frame.
- Wrap the BUS cable with two EPT sealers starting at end of the tube. Plug the BUS cable 14-pin connector into the vehicle 14-pin connector.
- Route the BUS cable along the vehicle harness, then secure it to the vehicle harness with two wire ties.



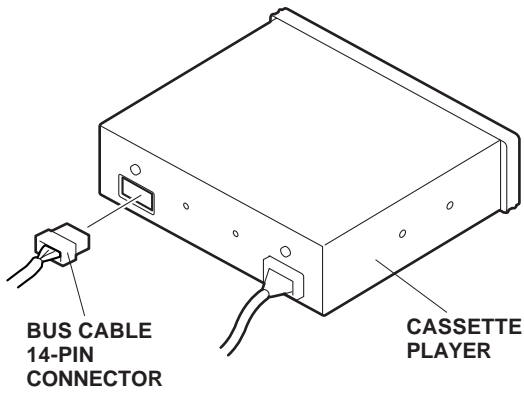
### With Player:

- Wrap the BUS cable with two EPT sealers starting at the end of the tube.
- Route the BUS cable under the player base-bracket. Secure the BUS cable to the vehicle harness with two wire ties, so that the distance between the BUS cable connector end and the upper wire tie is 200 mm.
- Apply masking tape to the center panel in the area shown.

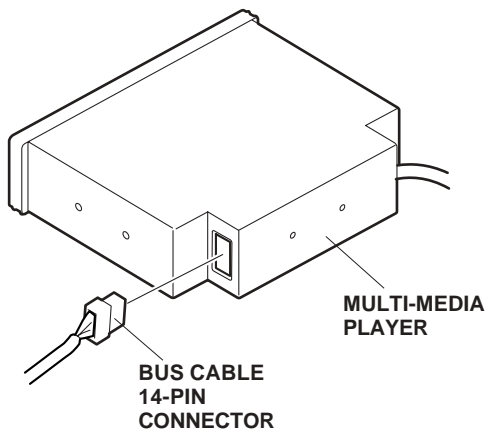


- Plug the BUS cable 14-pin connector into the player.

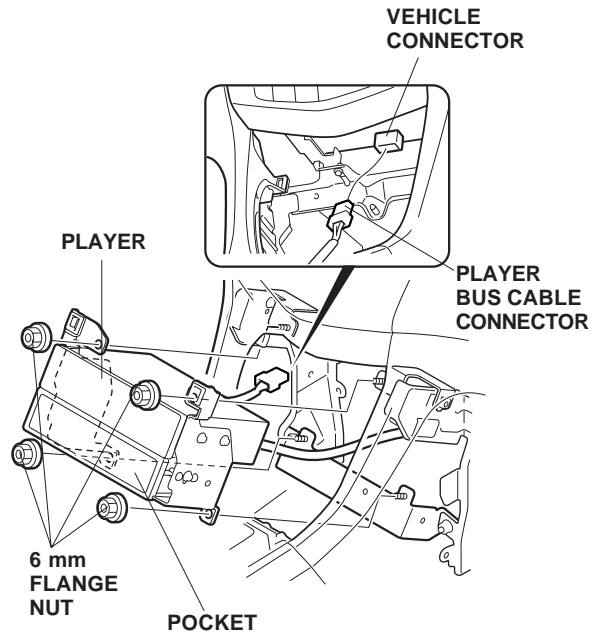
### Cassette Player



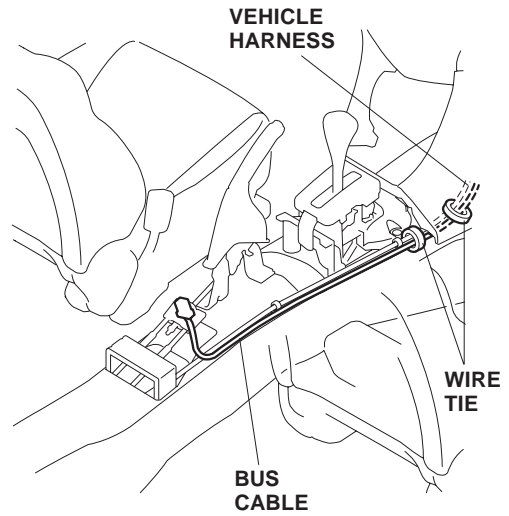
### Multi-media Player



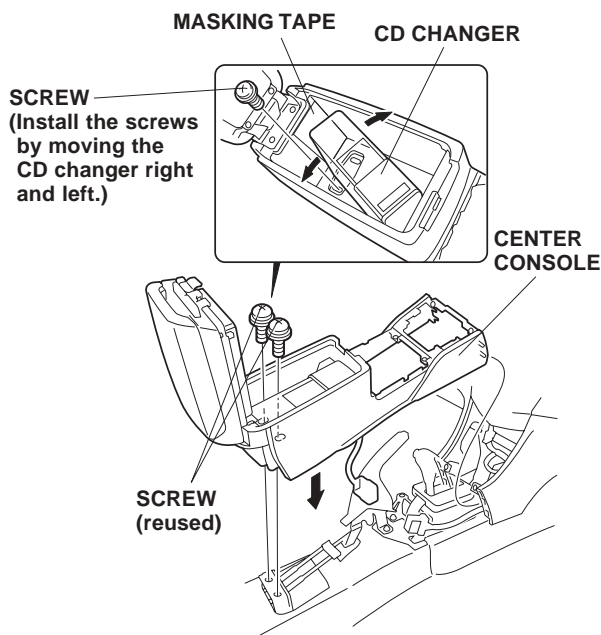
- Plug the BUS cable connector to the vehicle connector, and reinstall the player and pocket.



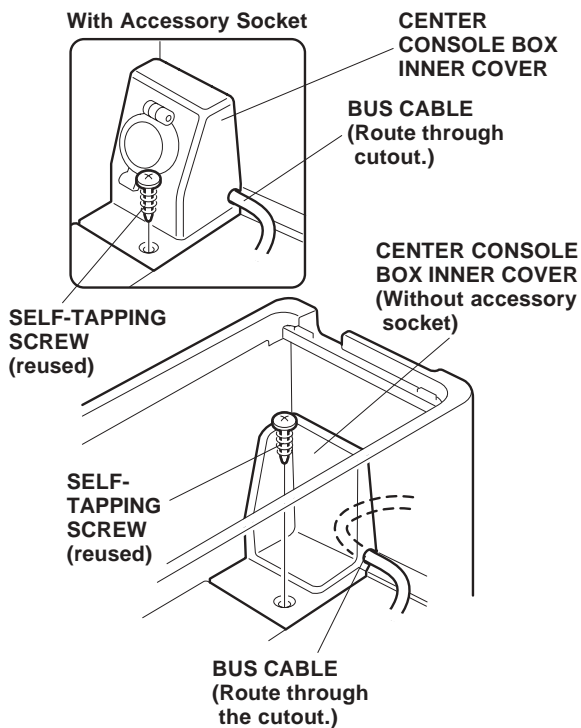
25. Route the BUS cable toward the rear along the vehicle harness, then secure the BUS cable to the vehicle harness with two wire ties.



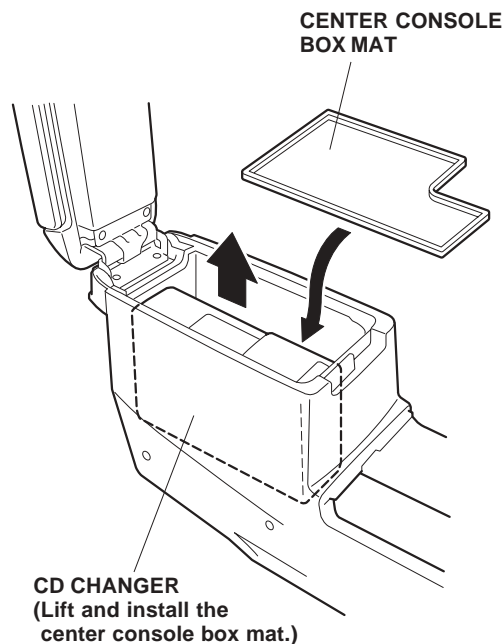
26. Position the center console onto the console bracket, and install the two screws by moving the CD changer right and left.



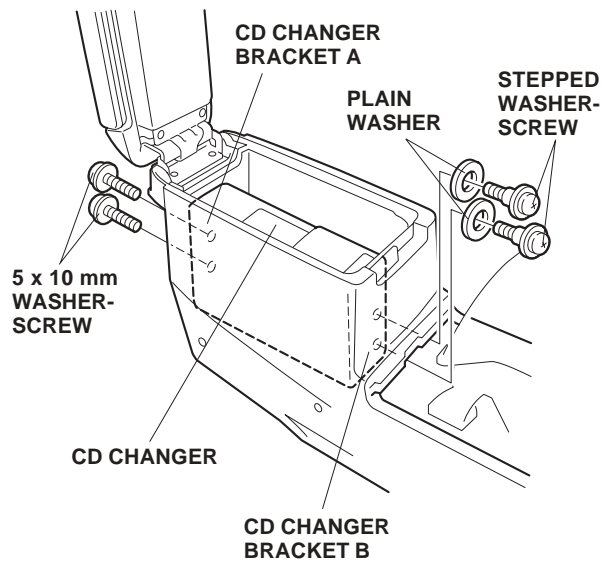
27. Reinstall the center console box inner cover with the BUS cable routed through the cutout.



28. Lift the CD changer and reinstall the center console box mat under the CD changer.

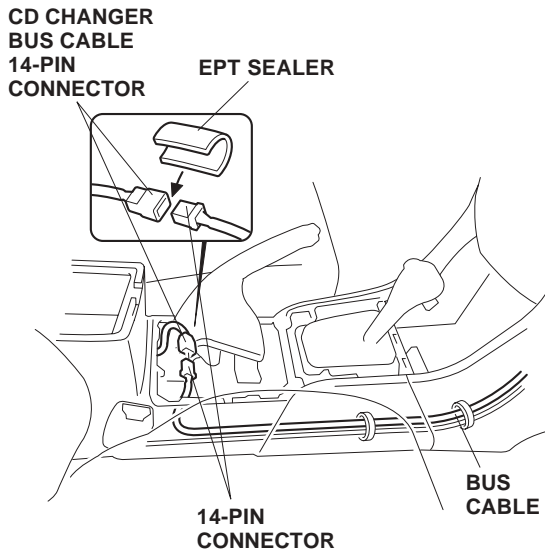


29. Secure CD changer bracket A to the center console with two stepped washer-screws and two plain washers. Remove the masking tape, installed in step 21, from the center console box.



30. Secure CD changer bracket B to the center console with two stepped washer-screws and two plain washers.

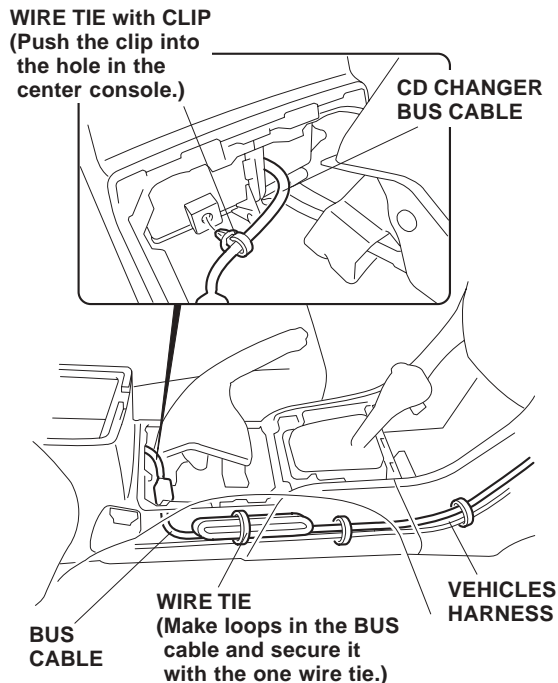
31. Plug the BUS cable 14-pin connector into the CD changer BUS cable 14-pin connector, and wrap one EPT sealer around the connectors.



32. Secure the BUS cable.

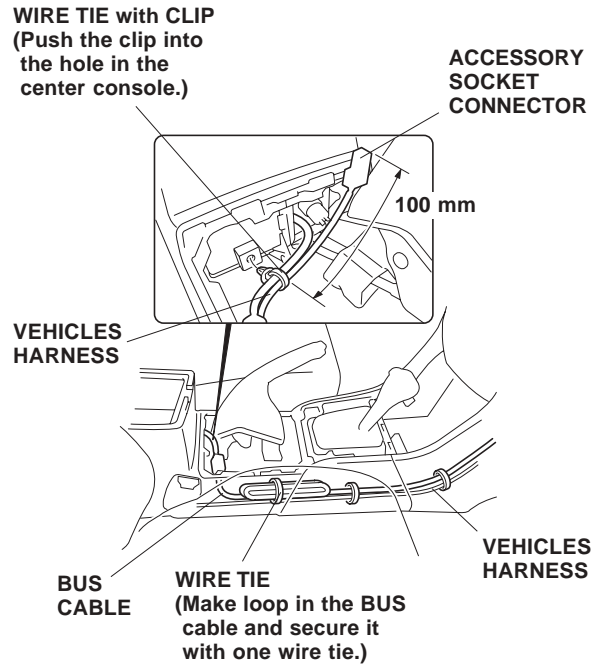
**Without Accessory Socket:**

- Attach the wire tie with clip to the BUS cable and push the clip into the hole in the center console.
- Make loops in the BUS cable and secure it to the vehicle harness with one wire tie.



**With Accessory Socket:**

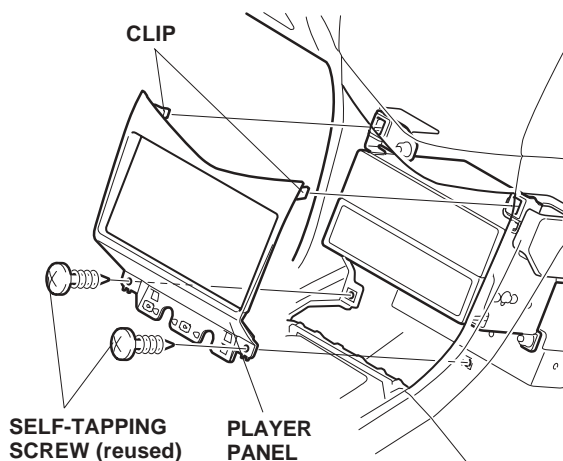
- Attach the wire tie with clip to the BUS cable and vehicle harness and adjust it until the distance between the accessory socket connector end and the wire tie with clip is 100 mm. Push the wire tie with clip into the hole in the center console.
- Make loops in the BUS cable and secure it to the vehicle harness with one wire tie.



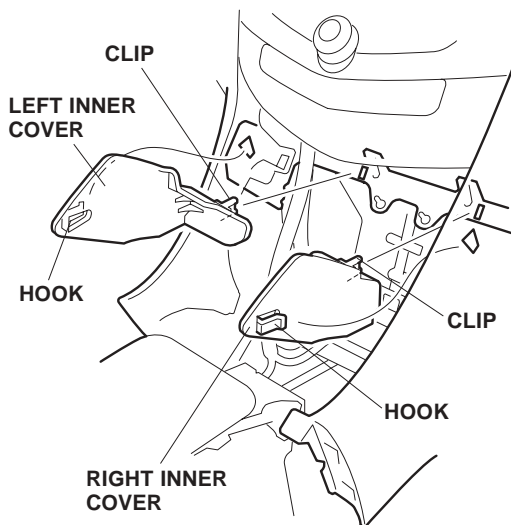
33. Check that all wire harnesses are routed properly and all connectors are plugged in.
34. Reconnect the negative cable to the battery.
35. Enter the customer's radio anti-theft code, and reset the radio station presets.
36. Set the clock.
37. Check the operation of the CD changer according to the provided Owner's Manual.

*If the car is equipped with a cassette player or multi-media player, continue with step 38; if not, go to step 40.*

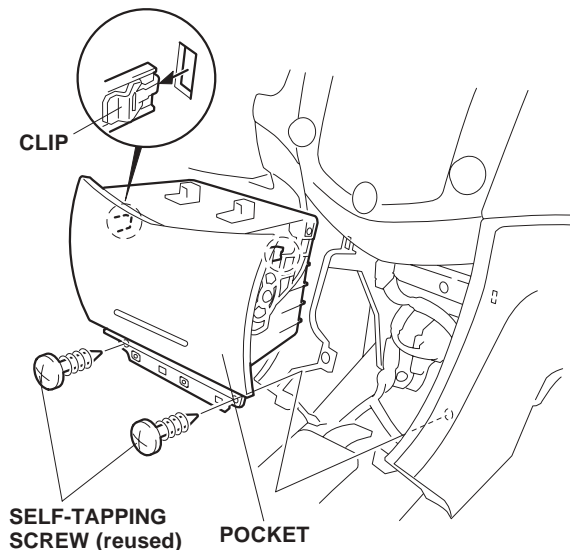
38. Reinstall the player panel using the two screws removed in step 8.



39. Reinstall the right and left inner covers.



40. Reinstall the pocket.



41. Reinstall all removed parts.
42. Put the CD changer Owner's Manual in the glove box.

**NOTE:** Whenever the battery is disconnected, the driver's window AUTO function is disabled.

43. Start the engine. Push down fully on the driver's window switch until the window is fully open.
44. Pull up fully on the driver's window switch to close the window completely, then hold the switch for 2 second.
45. Test the window AUTO function.
46. Do the ECU idle learn procedure.

- Make sure all electrical items are turned off.
- Start the engine. Hold the engine speed at 3,000 rpm with no load (in Park or Neutral) until the radiator fan comes on.
- Let the engine idle for about 5 minutes with the throttle fully closed and with all electrical items off.

**NOTE:** If the radiator fan comes on during this step, the time when it is operating must not be included in the 5 minutes.