

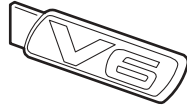


# INSTALLATION INSTRUCTIONS

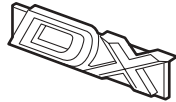
<b>GOLD EMBLEM</b>	Accessory	Application	Publications No. <b>All 24054</b>
		<b>ACCORD 4-DOOR</b>	Issue Date <b>AUG 2002</b>

## PARTS LIST

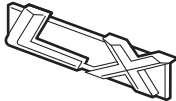
Rear gold "V6" emblem kit  
P/N 08F20-SDA-100A



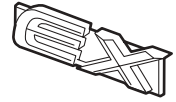
Rear gold "DX" emblem kit  
P/N 08F20-SDA-100B



Rear gold "LX" emblem kit  
P/N 08F20-SDA-100C



Rear gold "EX" emblem kit  
P/N 08F20-SDA-100D



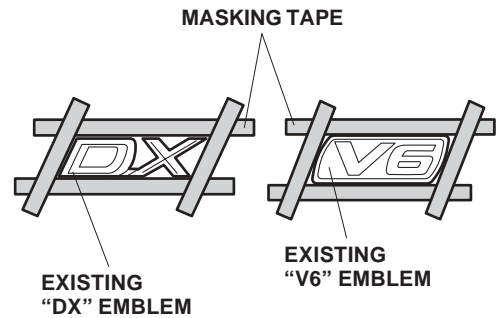
## SUPPLIES REQUIRED

- Isopropyl alcohol
- Shop towel
- String
- Masking tape

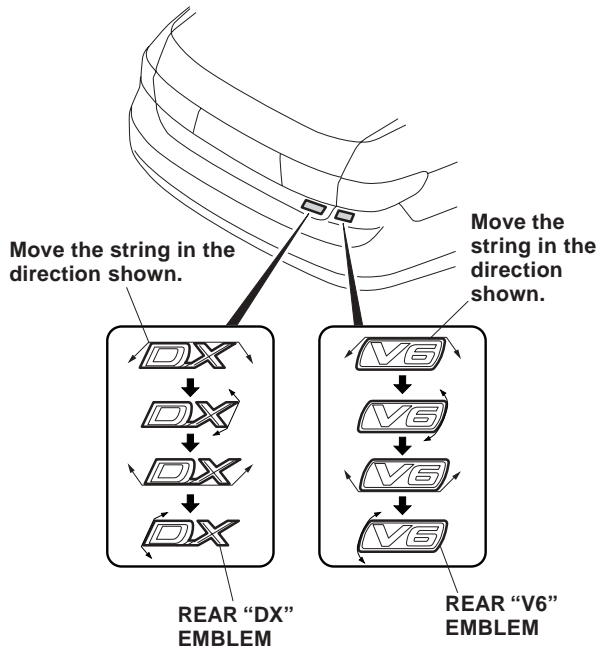
## INSTALLATION

### NOTE:

- Be careful not to damage the body paint finish when removing and installing the emblems.
  - This emblem kit should be installed only if the ambient air temperature is 60°F (15°C) or above.
  - To allow the adhesive to "cure," do not wash the car for 24 hours.
  - These instructions show the rear gold "DX" emblem being installing; the same procedure applies to installing the rear gold "LX" and "EX" emblems.
1. Mark the locations of the existing "V6" and/or "DX" emblems by applying masking tape along the edges as shown.

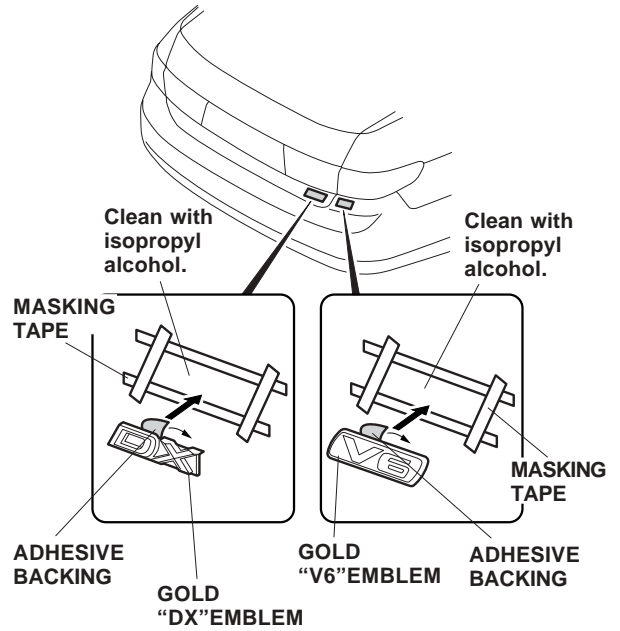


- Remove the "V6" and/or "DX" emblems from the body by moving the string back and forth, and working it between the emblems and body.



- Remove the emblems.

- Using isopropyl alcohol on a shop towel, clean the areas where the gold "V6" and/or "DX" emblems will attach.
- Remove the adhesive backing from the "V6" and/or "DX" emblems, and attach them to the body. After attaching, hold the emblems firmly against the body with the palm of your hand for 30 seconds.



- Remove the masking tape.