



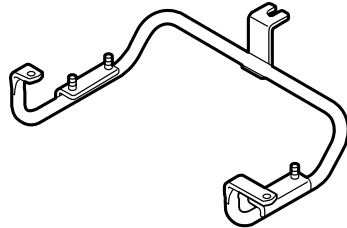
# INSTALLATION INSTRUCTIONS

Accessory	Application	Publications No.
CD CHANGER TRUNK MOUNT (LX)	ACCORD 2-DOOR	All 30214
		Issue Date SEP 2005

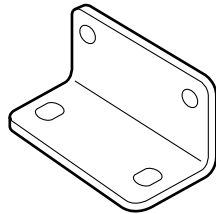
## PARTS LIST

Attachment Kit (sold separately):  
P/N 08B26-SDN-100

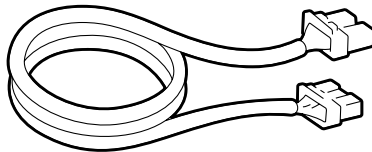
CD changer bracket



2 Side brackets



BUS cable



3 Clip nuts



3 Washer-bolts, 6 x 12 mm



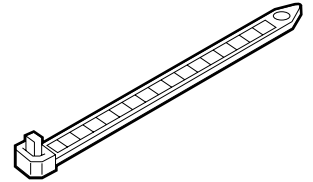
4 Washer-screws, 4 x 8 mm



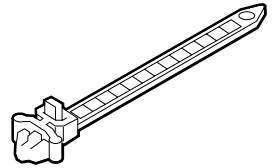
4 Flange nuts, 6 mm



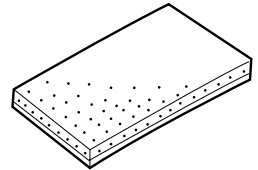
13 Wire ties



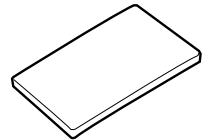
2 Wire ties with clip



4 EPT sealers

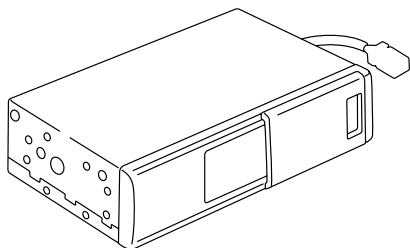


10 Cushion tapes

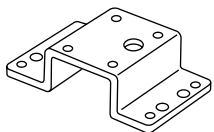


**CD Changer (sold separately):  
P/N 08A26-5E1-100**

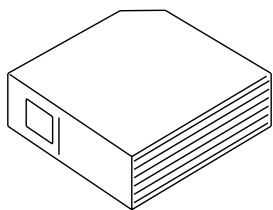
CD changer



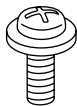
Bracket



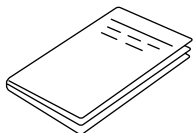
8-Disc CD magazine



8 Washer-screws, 4 x 6 mm



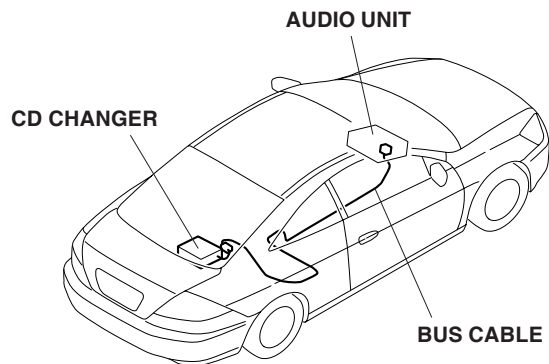
Owner's Manual



**TOOLS AND SUPPLIES REQUIRED**

- Clip remover
- Phillips screwdriver
- Flat-tip screwdriver
- Small flat-tip screwdriver
- 10 mm Combination wrench
- Clip remover
- Ratchet
- 10 mm Socket
- Isopropyl alcohol
- Shop towel
- Masking tape
- Hook tool
- Tape measure
- Piece of steel wire

**Illustration of the CD Changer installed in the Vehicle**



**INSTALLATION**

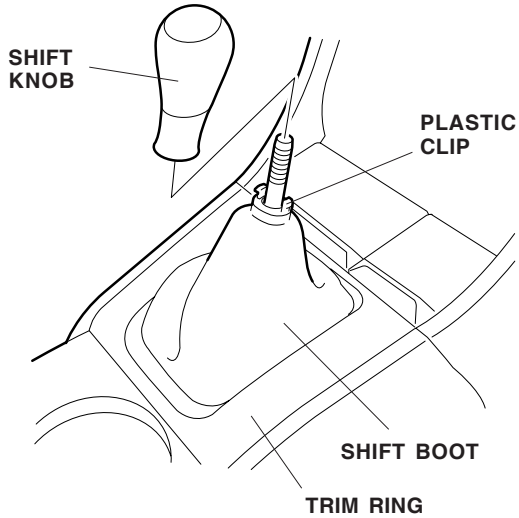
**Customer Information:** The information in this installation instruction is intended for use only by skilled technicians who have the proper tools, equipment, and training to correctly and safely add equipment to your vehicle. These procedures should not be attempted by "do-it-yourselfers."

1. Make sure you have the anti-theft code for the radio, then write down the frequencies for the preset buttons.
2. Disconnect the negative cable from the battery.

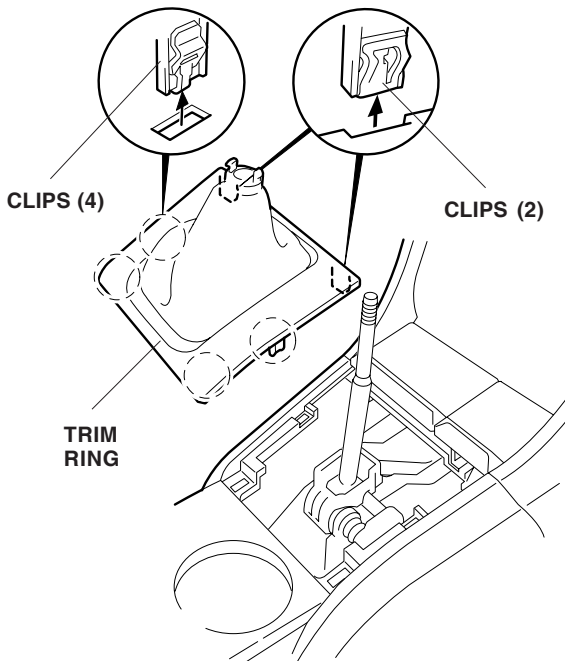
3. Remove the trim ring.

**M/T Model:**

- Squeeze the plastic clip and pull down on the shift knob. Remove the shift knob by turning it counterclockwise.

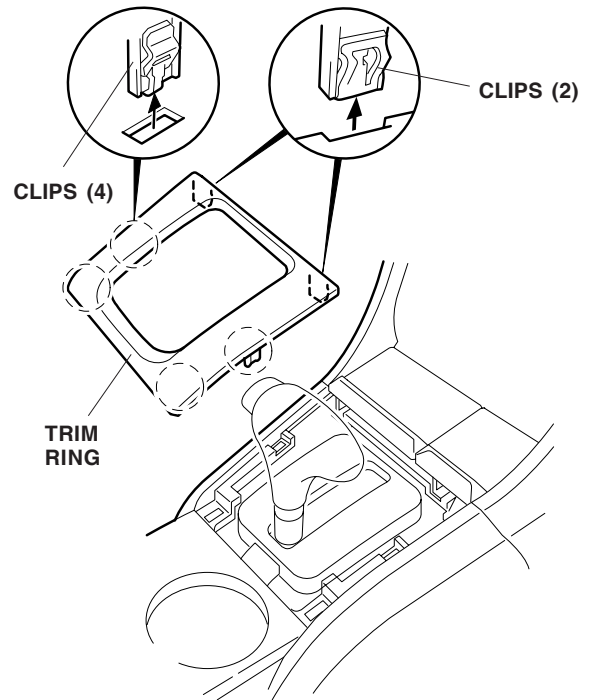


- Gently pry up on the trim ring to release the six clips, and remove the trim ring.

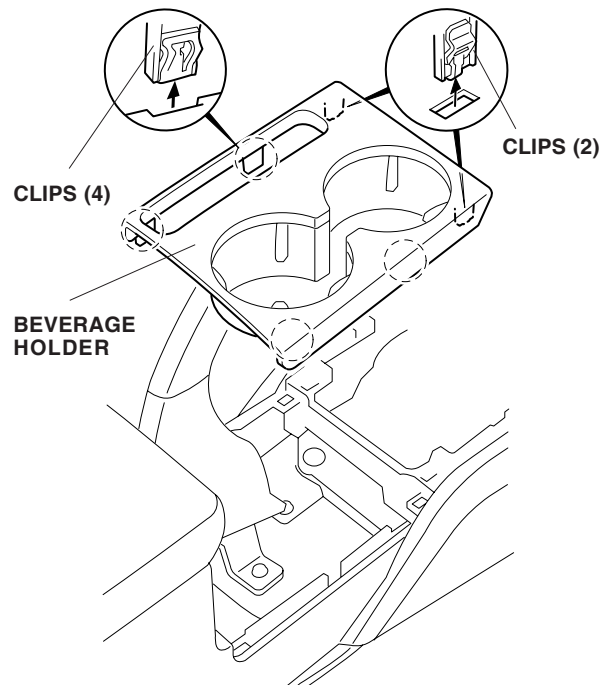


**A/T Model:**

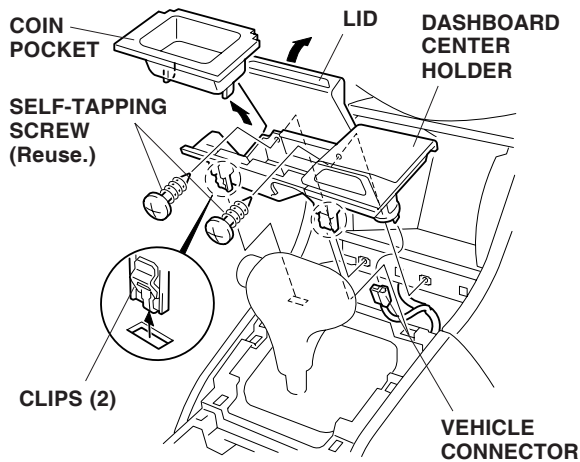
Gently pry up on the trim ring to release the six clips, and remove the trim ring.



4. Pry up on the beverage holder to release the six clips, and remove the beverage holder.

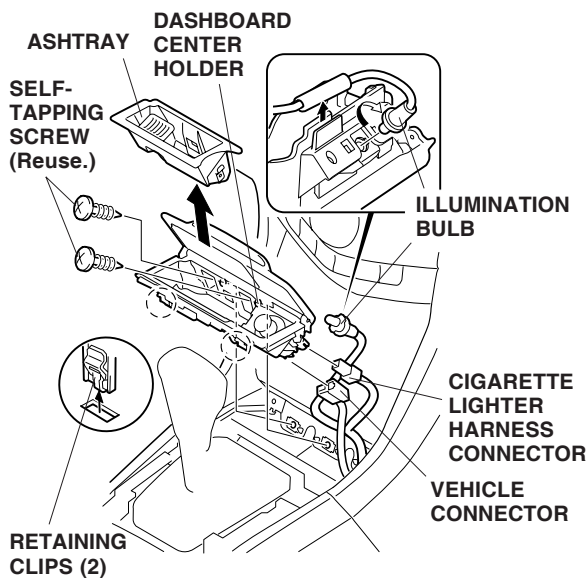


5. Remove the dashboard center holder.
  - Open the coin pocket lid, and remove the coin pocket.
  - Remove the two self-tapping screws.
  - Gently pull out on the dashboard center holder to release the two retaining clips, unplug the vehicle connector, and remove the center holder.

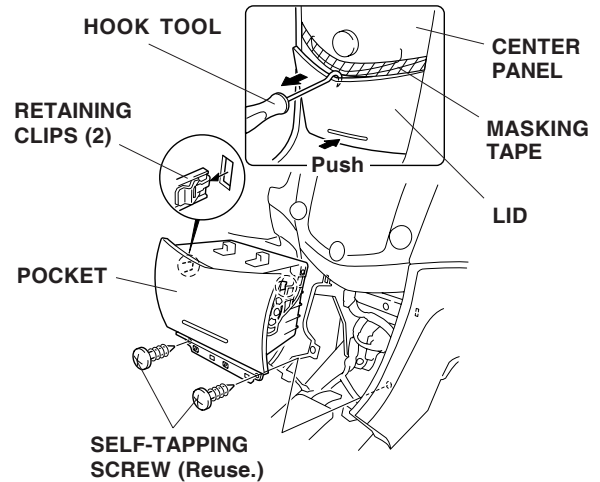


**With Ashtray:**

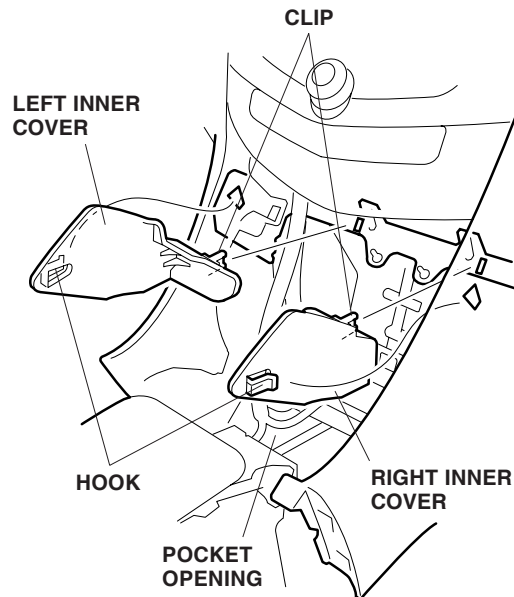
- Open the lid and remove the ashtray.
- Remove the two self-tapping screws.
- Gently pull out on the two retaining clips, and unplug the cigarette lighter harness connector, vehicle connector, and illumination bulb; remove the center holder.



6. Remove the pocket:
  - Apply masking tape to the edge of the center panel.
  - Remove the two self-tapping screws.
  - Push in on the bottom of the lid, then pull out on the top by inserting the end of a hook tool between the pocket and center panel. Pull out on the hook tool to release the two retaining clips.



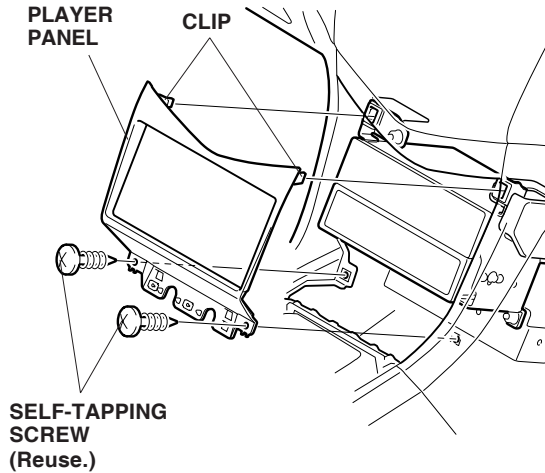
7. Remove the right and left inner covers (one hook and one clip for each cover).



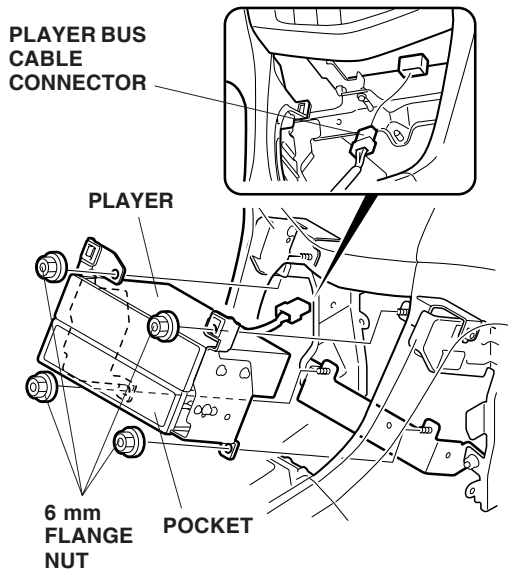
If the vehicle is equipped with a cassette or an MP3 player, continue with step 8; if not, go to step 9.

8. Remove the player.

- Remove the player panel by removing the two self-tapping screws and two clips.

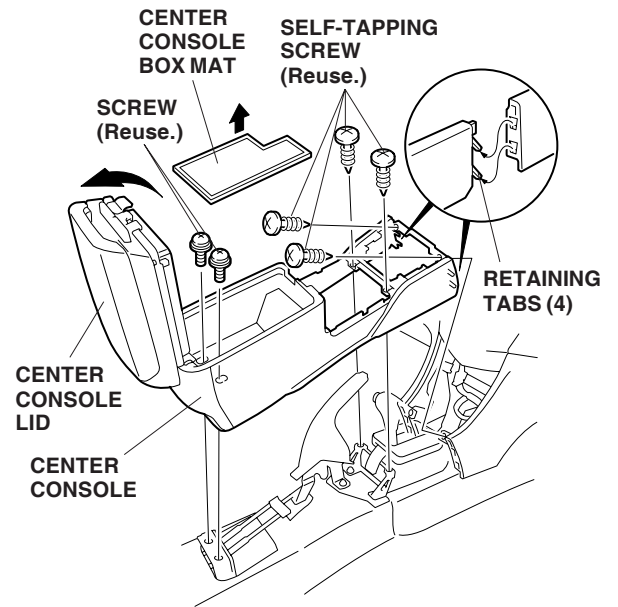


- Remove the four 6 mm flange nuts that fasten the player and pocket. Remove the player and pocket by pulling it out toward you, and unplugging the player BUS cable connector.



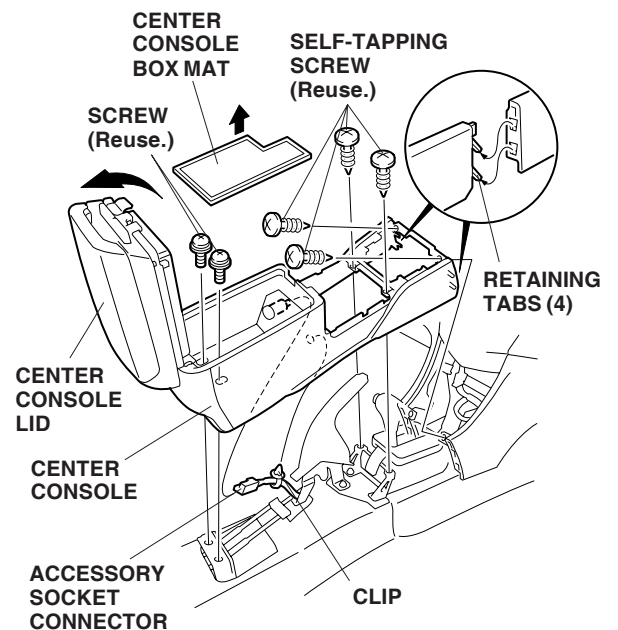
9. Open the center console lid, and remove the center console box mat. Remove the center console by removing the four self-tapping screws, the two screws, and releasing the four retaining tabs.

**Without Accessory Socket:**

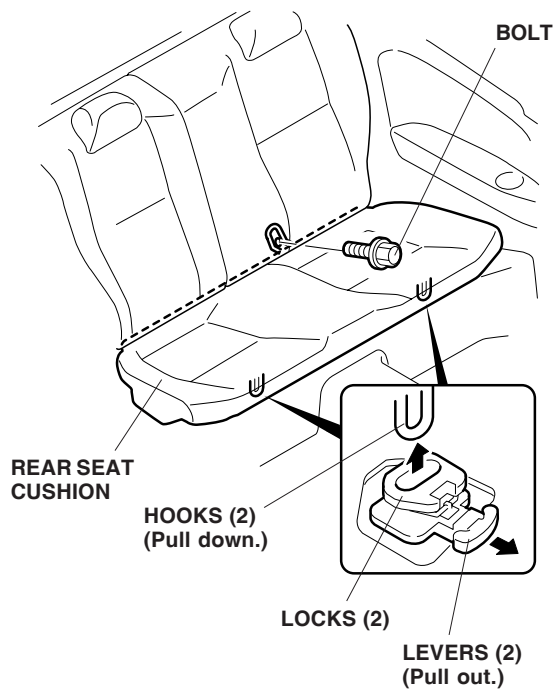


**With Accessory Socket:**

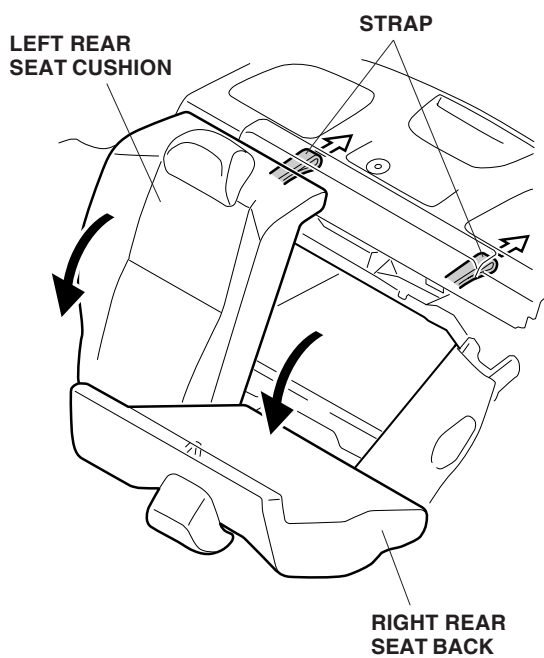
- Remove the clip from the center console, unplug the accessory socket connector, and remove the console.



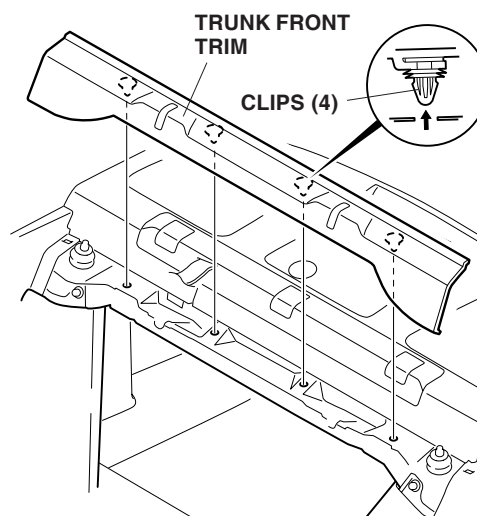
10. Inside the passenger's compartment, remove the rear seat cushion by removing the bolt and releasing the two locks (push down at the hook location, and pull out on the lever).



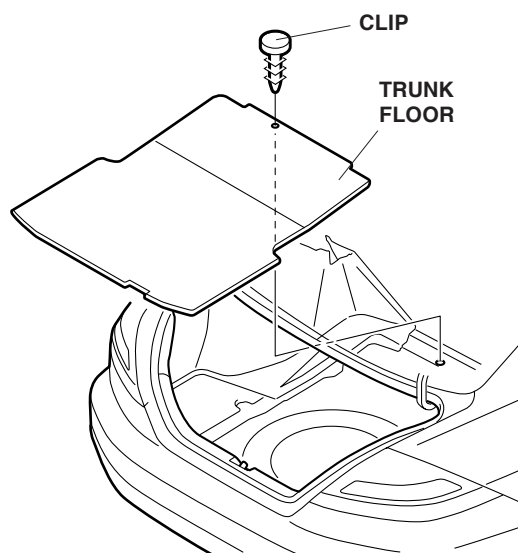
11. Inside the trunk, fold down the right and left seat backs by pulling the strap, and pushing forward on the seat.



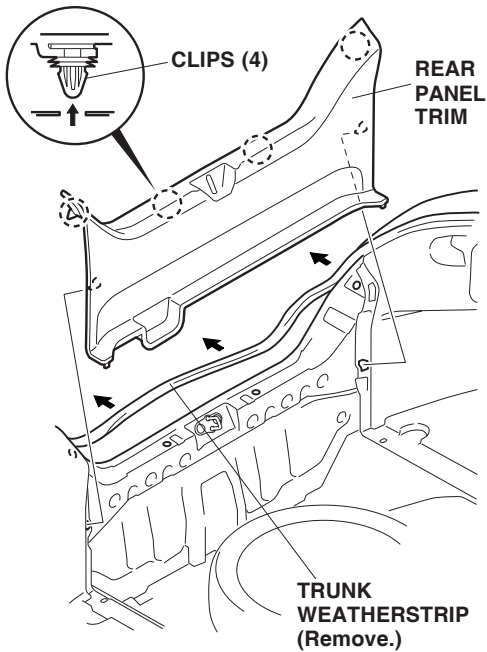
12. Remove the trunk front trim (from the upper edge, pull out to release the four clips).



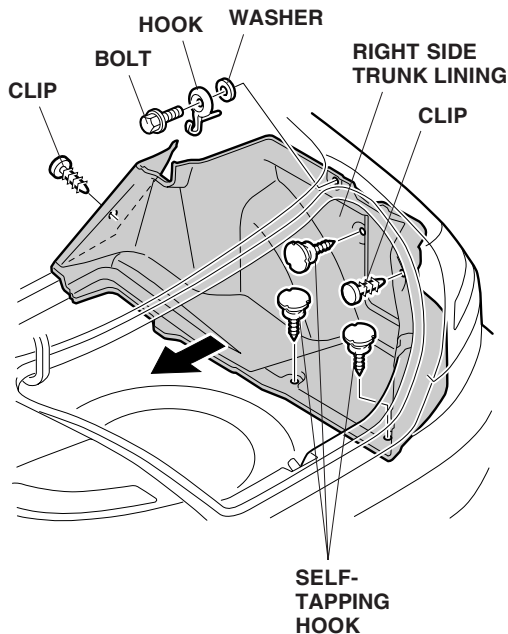
13. Remove the trunk floor (one clip).



- Remove the trunk weatherstrip in the area shown, then remove the rear panel trim (four clips).



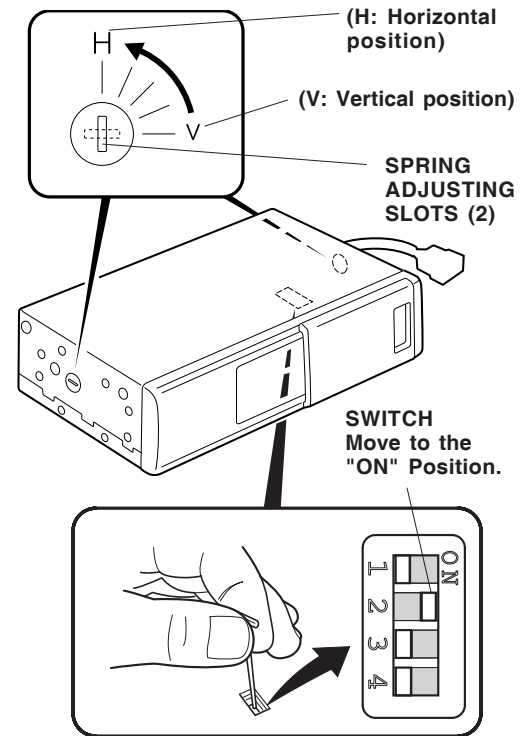
- Remove the hook from the right side trunk lining (one bolt, one washer).



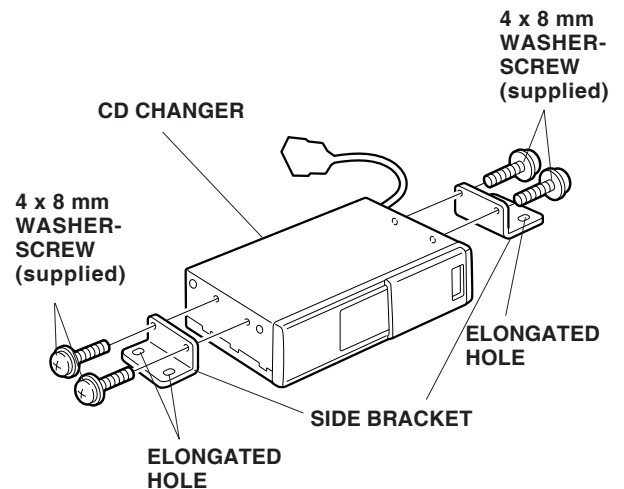
- Remove the right side trunk liner (three self-tapping hooks, and two clips).

## Installing the CD Changer

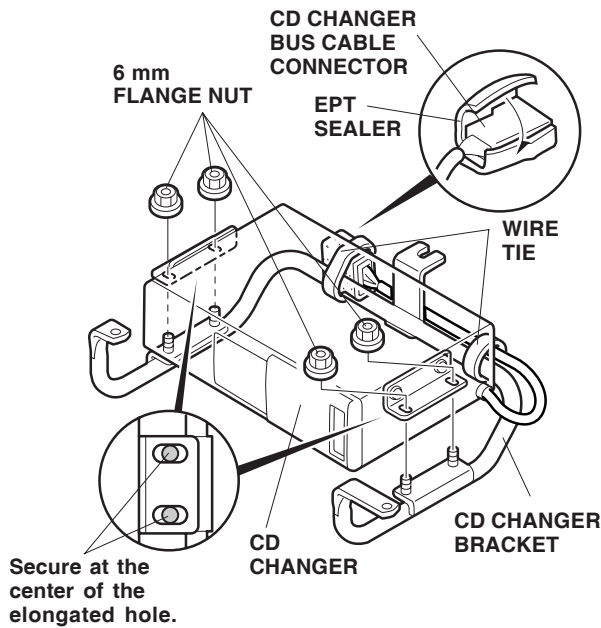
- Visually check the position of the spring adjusting slots on both sides of the CD changer. If both of the spring adjusting slots are not in the horizontal (H) position, move the slots to the horizontal position using a small flat-tip screwdriver.



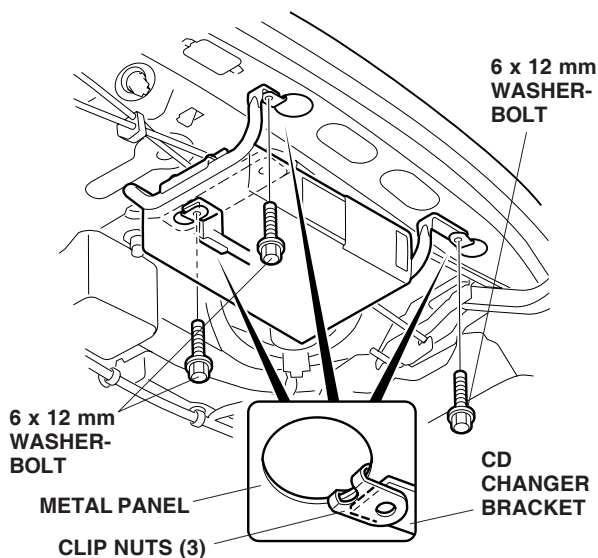
- If the vehicle is equipped with an in-dash 6-disc CD Changer, use a pin to move the number 2 switch to the "ON" position.
- Position the side brackets on the CD changer, with the elongated holes, down and install the four 4 x 8 mm washer-screws included with the attachment kit.



20. Position the CD changer on the CD changer bracket, and install the four 6 mm flange nuts. Tighten the flange nuts securely.



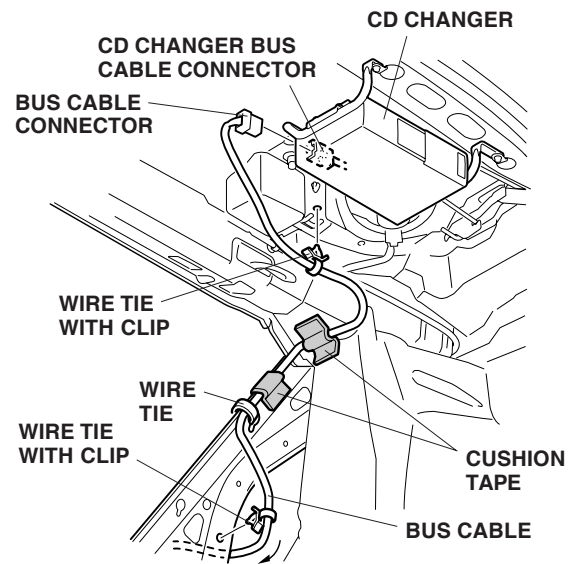
21. Wrap the CD changer BUS cable connector with one EPT sealer, and secure it and the CD changer BUS cable to the CD changer bracket with two wire ties.
22. Slide the three clip nuts onto the rear metal panel through the holes in the panel.



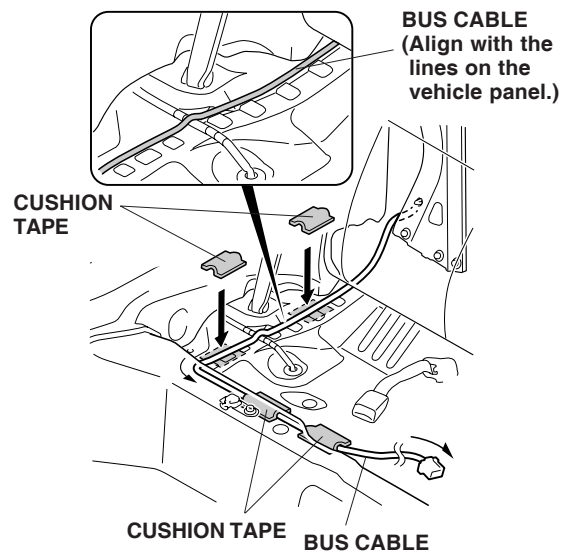
23. Secure the CD changer bracket to the metal panel with three 6 x 12 mm washer-bolts.

## Routing the BUS cable

24. Connect the BUS cable connector to the CD changer BUS cable connector, and route the BUS cable into the cabin as shown.

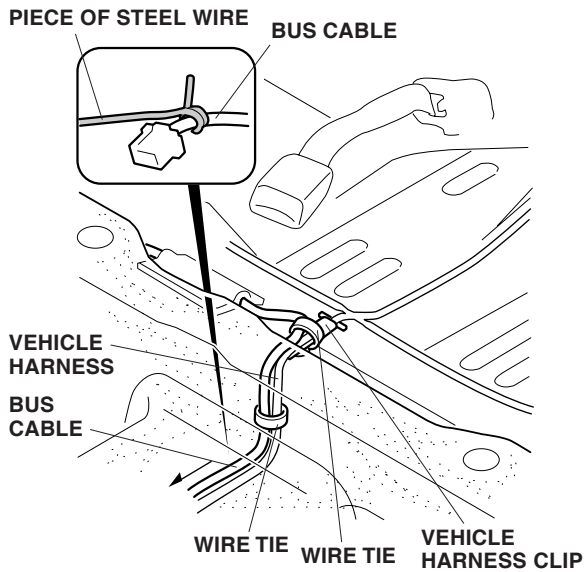


25. Using isopropyl alcohol, clean the areas where the cushion tapes will attach. Secure the BUS cable to the vehicle harness and frame with one wire tie, two wire ties with clip, and two cushion tapes in the areas shown.
26. Route the BUS cable forward, then toward the center of the car. Using isopropyl alcohol, clean the areas where the cushion tapes will attach, then secure the BUS cable to the vehicle panel with four cushion tapes.

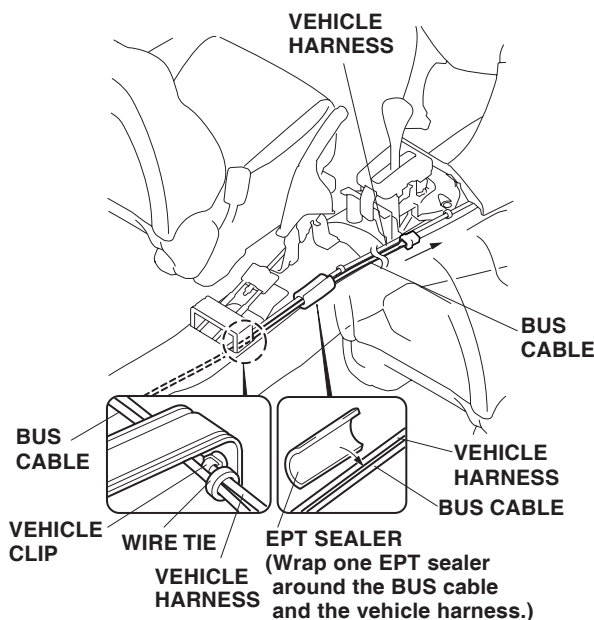




27. Route a piece of steel wire from the edge of the rear seat carpet, along the vehicle harness, to the rear seat area. Tape the end of the BUS cable to the wire, and pull the wire with BUS cable through the center console area.



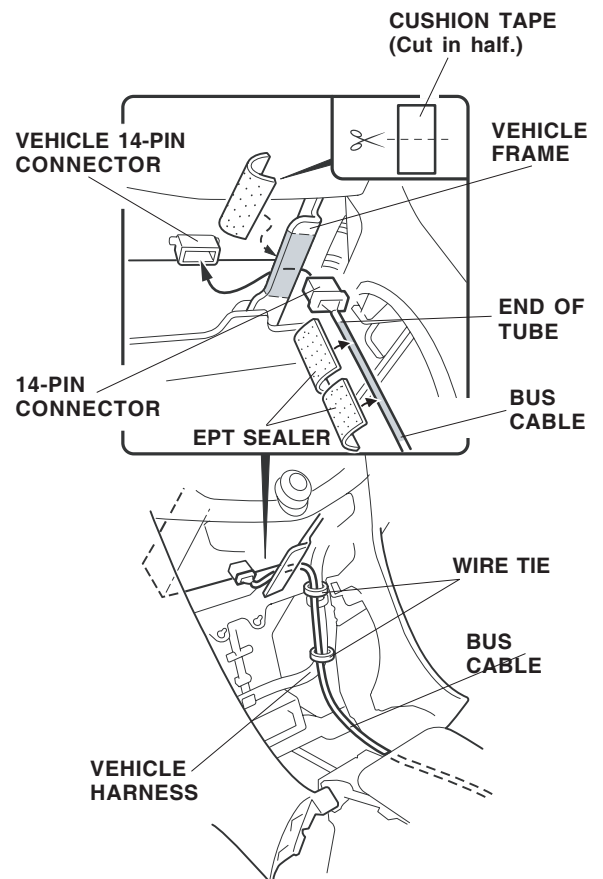
28. Secure the BUS cable to the vehicle harness, and the vehicle harness clip, with one wire tie. Secure the BUS cable to the vehicle harness under the carpet with one wire tie.
29. Route the BUS cable to the front of the car, and secure it to the vehicle harness with one wire tie near the vehicle clip. Wrap one EPT sealer around the BUS cable and the vehicle harness in the area shown.



30. Plug the BUS cable into the pocket opening.

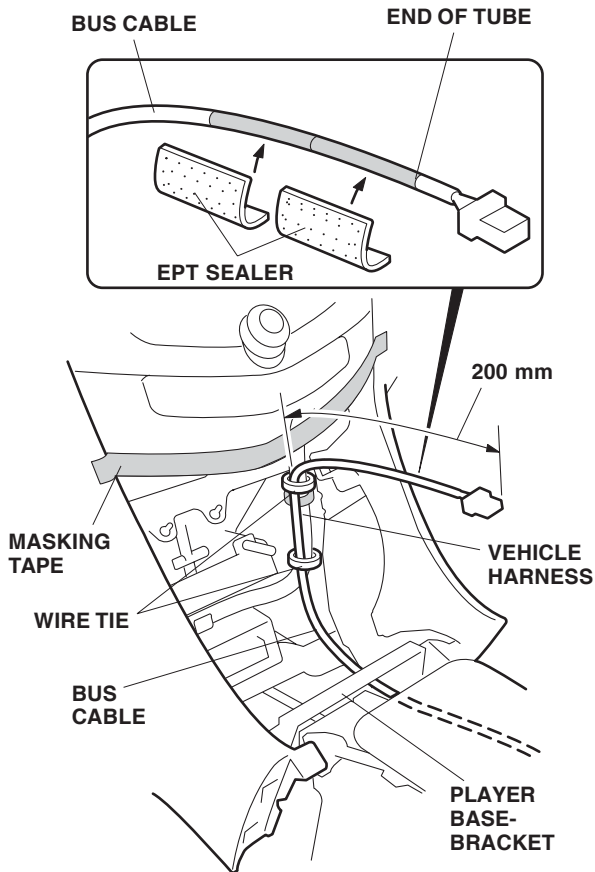
**Without Player:**

- At the center console, clean the vehicle frame with isopropyl alcohol where the cushion tape will attach. Using scissors, cut one cushion tape in half, and attach one half of the cushion tape to the edge of the vehicle frame.
- Wrap the BUS cable with two EPT sealers starting at the end of the tube, and plug the BUS cable 14-pin connector into the vehicle 14-pin connector.
- Secure the BUS cable to the vehicle harness with two wire ties.



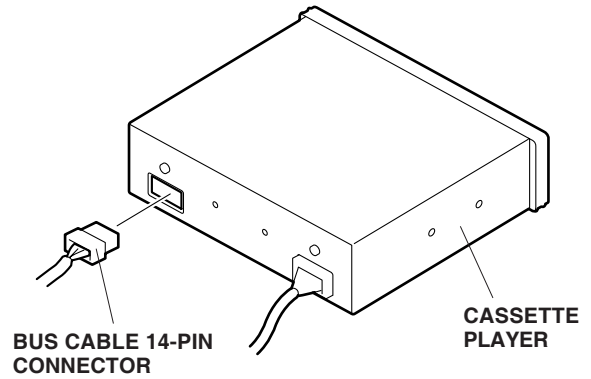
**With Player:**

- Wrap the BUS cable with two EPT sealers starting at the end of the tube.
- Secure the BUS cable to the vehicle harness with two wire ties, so that the distance between the BUS cable connector end and the upper wire tie is 200 mm.
- Apply masking tape to the center panel in the area shown.

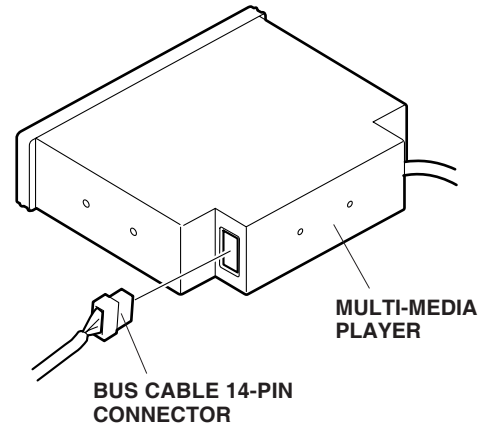


- Plug the BUS cable 14-pin connector into the player.

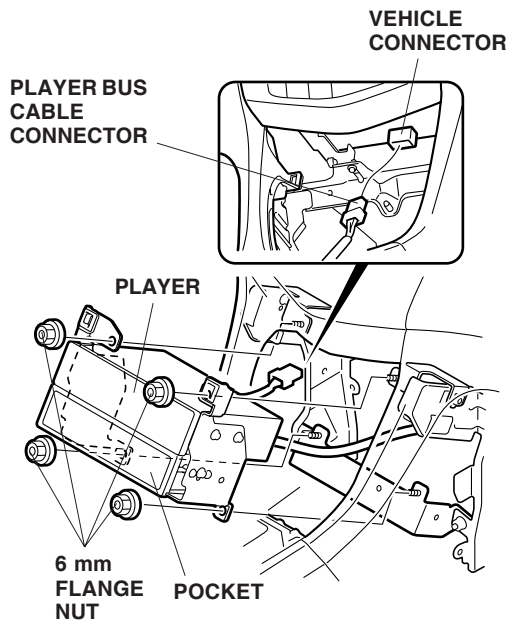
**Cassette Player:**



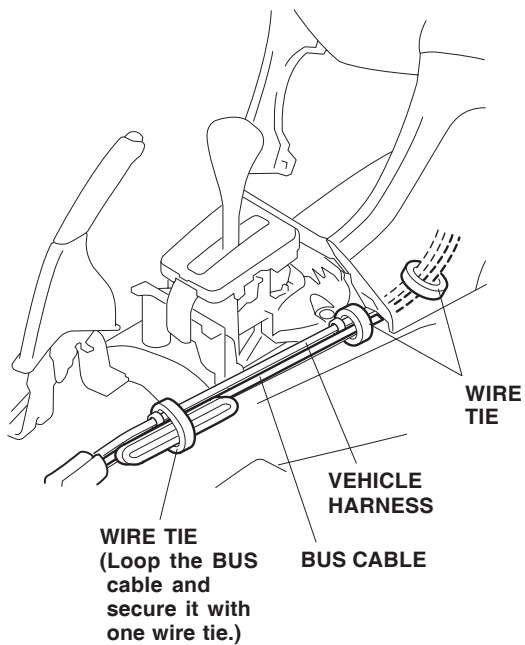
**MP3 Player:**



- Plug the player BUS cable connector into the vehicle connector, and reinstall the player and pocket.



31. Secure the BUS cable to the vehicle harness with two wire ties.

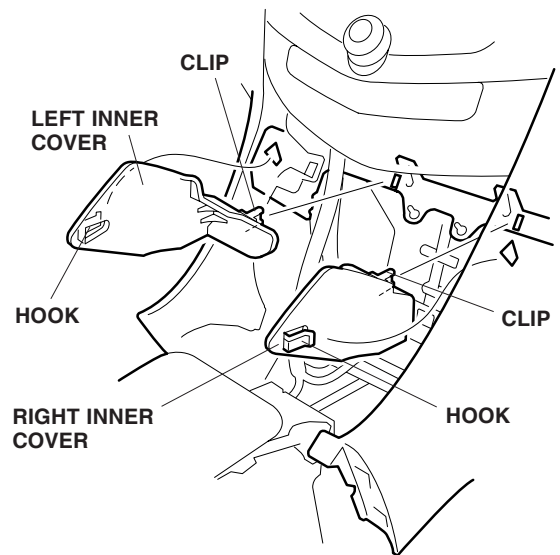


32. Loop the BUS cable and secure it to the vehicle harness with one wire tie.

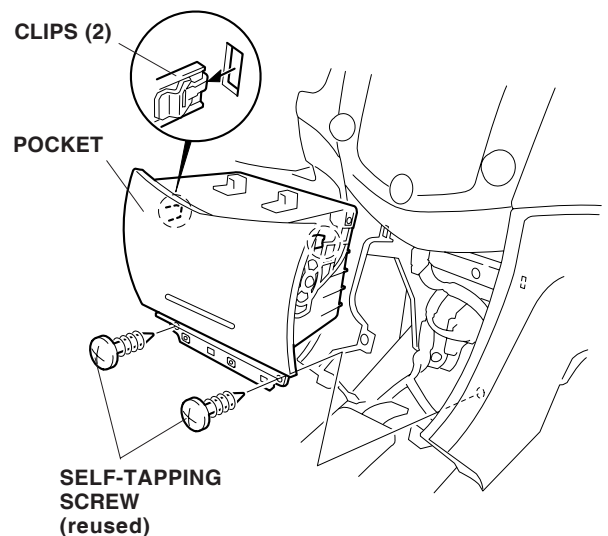
33. Check that all wire harnesses are routed properly and all connectors are plugged in.
34. Reconnect the negative cable to the battery.
35. Enter the customer's radio anti-theft code, and reset the radio station presets.
36. Set the clock.
37. Check the operation of the CD changer according to the Owner's Manual provided.

*If the vehicle is equipped with a cassette player or MP3 player, go to step 40; if not, go to step 38.*

38. Reinstall the right and left inner covers.

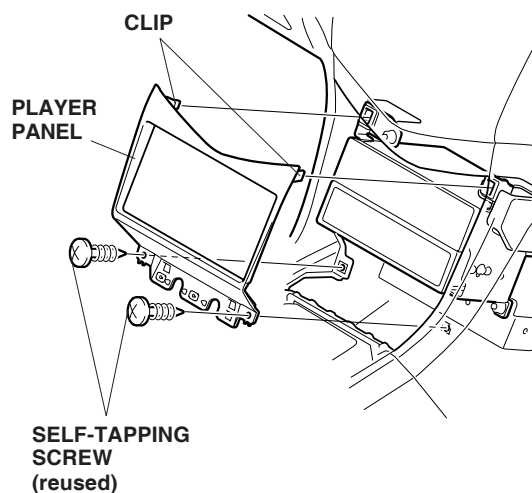


39. Reinstall the pocket.



40. Reinstall the player panel using the two screws removed in step 8.

**With Player:** Remove the masking tape applied in step 30.



41. Reinstall all removed parts.
  42. Put the CD changer Owner's Manual in the glove box.
- NOTE: Whenever the battery is disconnected, the driver's window AUTO function is disabled.
43. Start the engine. Push down fully on the driver's window switch until the window is fully open.
  44. Pull up fully on the driver's window switch to close the window completely, then hold the switch for 2 seconds.
  45. Test the window AUTO function.