



INSTALLATION INSTRUCTIONS

Accessory DOOR PANEL TRIM KIT	Application ACCORD 2-DOOR	Publications No. All 30216
		Issue Date SEP 2005

PARTS LIST

Door Panel Trim

- P/N 08Z03-SD-130A (Birdseye - look)
- P/N 08Z03 SD-120A (Burlwood - look)
- P/N 08Z03-SDN-110 (Metal - look)

Left door panel trim



Right door panel trim



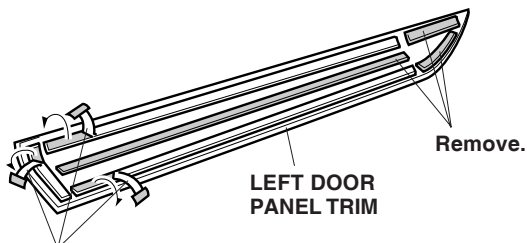
SUPPLIES REQUIRED

- Isopropyl alcohol
- Shop towel
- Masking tape

INSTALLATION

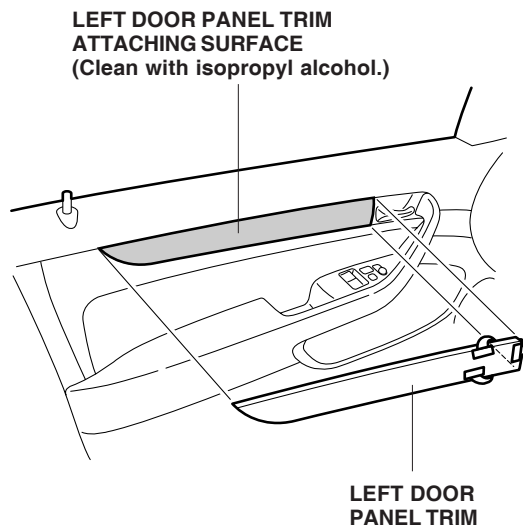
NOTE:

- The door panel trim kit should be installed only if the outside air temperature is 60°F (15°C) or above.
 - These instructions show the left door panel trim being installed. The same procedure applies to installing the right door lining panel.
- Using isopropyl alcohol on a shop towel, clean the areas where the left door panel trim will attach.
 - Remove and discard the inner adhesive backing and the small pieces of outer adhesive backing. Attach a strip of masking tape to the end of each remaining outer adhesive backing, and remove 1 to 1½ in. (40 to 50 mm) of the adhesive backing. Fold the ends back, and tape them to the front of the trim.



OUTER ADHESIVE BACKING
 Remove 1 to 1½ in. (40 to 50 mm) from the end, and tape to the front of the trim.

- Position the trim on the existing door panel. While applying light pressure on the trim, carefully remove the adhesive backings.



- After installing the trim, use the palm of your hand to hold pressure against it for 30 seconds.
- Repeat steps 1 through 4 to install the right door panel trim.

USE AND CARE

Use a sponge or soft cloth dampened with mild detergent and water solution. After cleaning, wipe with a clean, soft cloth. Do not use cleaners or polishers containing abrasive compounds to clean the door panel trim as they may damage the surface.