



INSTALLATION INSTRUCTIONS

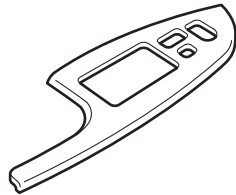
Accessory INTERIOR TRIM KIT (DOOR SWITCH PANEL)	Application ACCORD 4-DOOR	Publications No. All 30269
		Issue Date SEP 2005

Door Switch Panel Trim Kit:

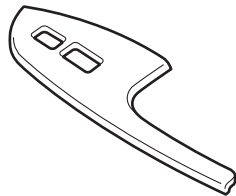
- P/N 08Z03-SDA-111A (Birdseye-Look)
- P/N 08Z03-SDA-121A (Burlwood-Look)
- P/N 08Z13-SDA-110E (Metal-Look)

PARTS LIST

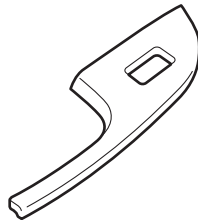
Driver's front door switch panel trim



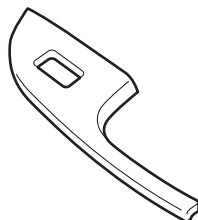
Passenger's front door switch panel trim



Driver's side rear door switch panel trim



Passenger's side rear door switch panel trim



SUPPLIES REQUIRED

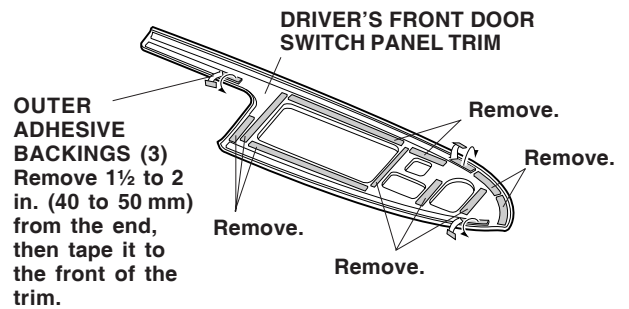
- Isopropyl alcohol
- Shop towel
- Masking tape

INSTALLATION

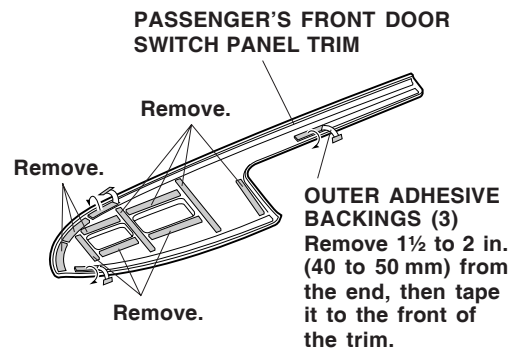
NOTE: This door panel switch trim kit should be installed only if the outside air temperature is 60°F (15°C) or above.

- Using isopropyl alcohol on a shop towel, clean the areas where the door panel trim pieces will attach.
- Attach a strip of masking tape to the end of each long piece of outer adhesive backing, then remove 1½ to 2 in. (40 to 50 mm) of the adhesive backing. Fold the ends back, then tape them to the front of the trim. Remove and discard the remaining adhesive backing.

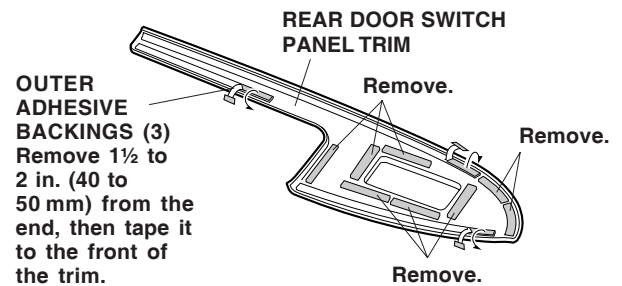
Driver's Front Door Switch Panel Trim:



Passenger's Front Door Switch Panel Trim:

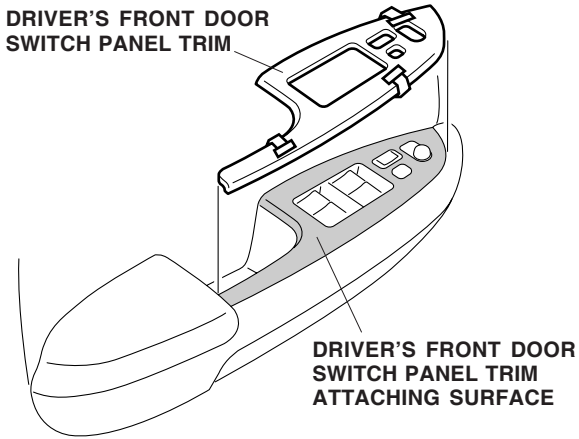


Rear Door Switch Panel Trims:

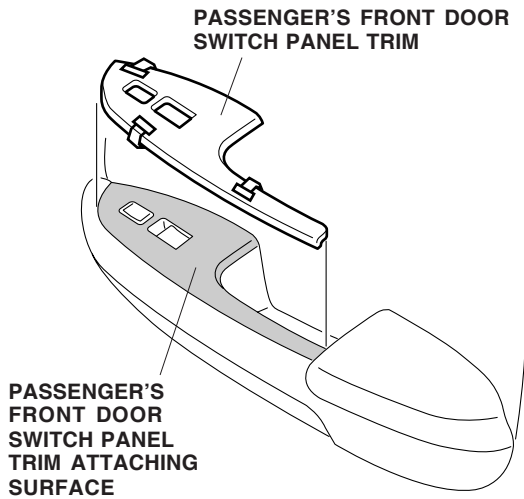


3. Position the trim pieces on the existing panels. While applying light pressure on the trim pieces, carefully remove the adhesive backings.
4. After installing the trim pieces, use the palm of your hand to hold pressure against each trim piece for 30 seconds.

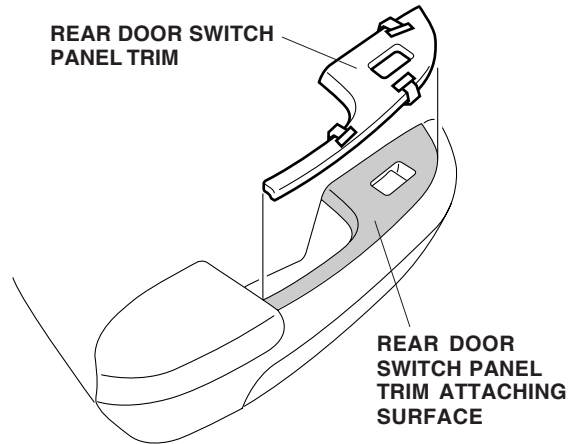
Driver's Front Door Switch Panel Trim:



Passenger's Front Door Switch Panel Trim:



Rear Door Switch Panel Trims:



USE AND CARE

Use a sponge or soft cloth dampened with a solution of liquid dishwashing soap and water. After cleaning, wipe with a clean, soft cloth. Do not use cleaners or polishes containing abrasive compounds to clean the door panel trim pieces because they may damage the surface.