



# INSTALLATION INSTRUCTIONS

Accessory  
**INTERIOR TRIM KIT (DASHBOARD)**

Application  
**ACCORD HYBRID**

Publications No.  
**All 32767**  
Issue Date  
**JULY 2006**

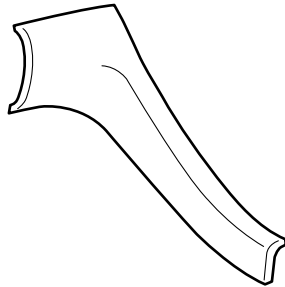
## PARTS LIST

### Dashboard Trim Kit:

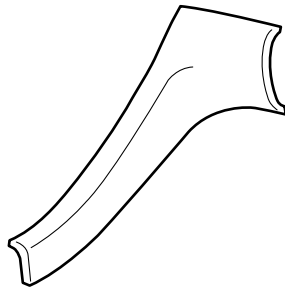
P/N 08Z03-SDR-110 (Wood look)

P/N 08Z13-SDR-110 (Metal look)

Left front console trim



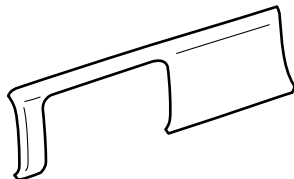
Right front console trim



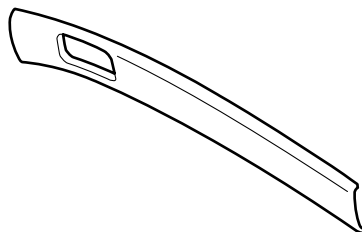
Inside lower cover trim



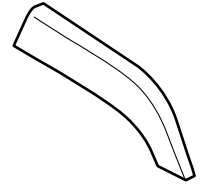
Outside lower cover trim



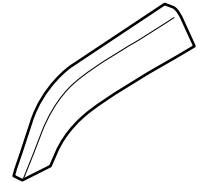
Glove box trim



Left center console trim



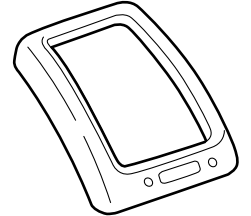
Right center console trim



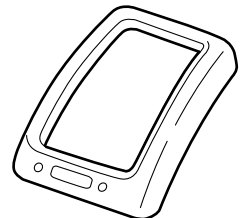
Center trim



Left side vent trim



Right side vent trim



### SUPPLIES REQUIRED

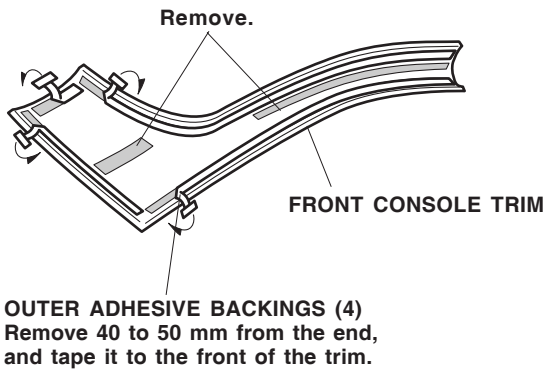
- Isopropyl alcohol
- Shop towel
- Masking tape

## INSTALLATION

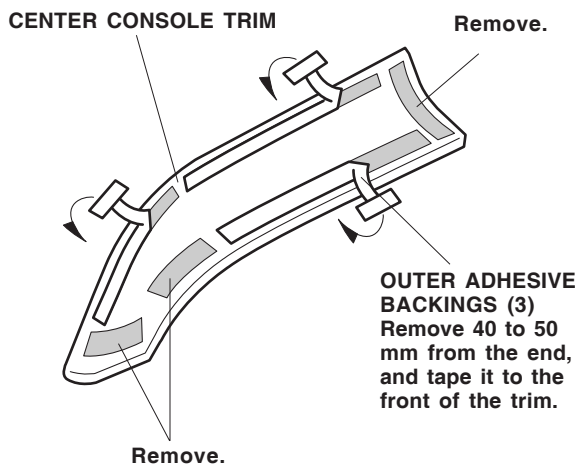
NOTE: This interior trim kit should be installed only if the outside air temperature is 60°F (15°C) or above.

1. Place each piece in its location temporarily to become familiar with each attaching location.
2. Using isopropyl alcohol on a shop towel, clean the areas where the interior trim pieces will attach.
3. Remove and discard the inner adhesive backing strips and the small pieces of the outer adhesive backing. Attach a strip of masking tape to the end of each remaining outer adhesive backing, and remove 40 to 50 mm of the adhesive backing. Fold the ends back, and tape them to the front of the trim.

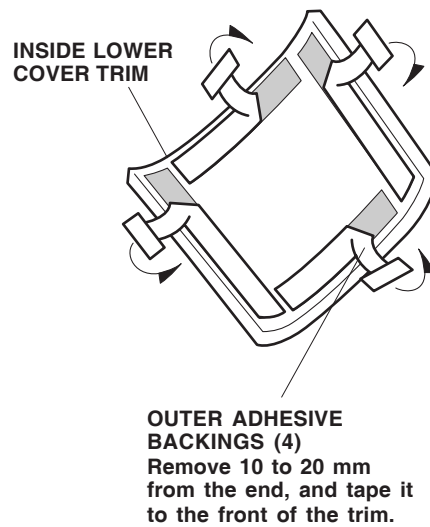
### Right and Left Front Console Trim:



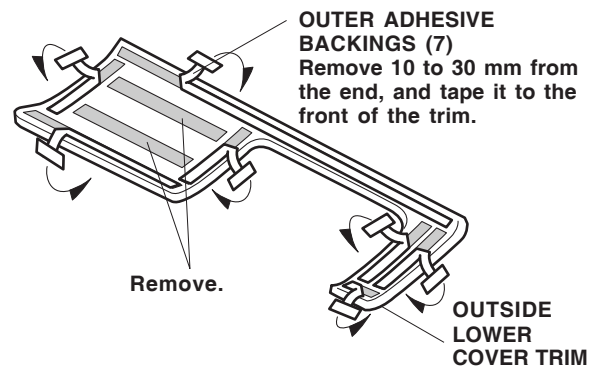
### Right and Left Center Console Trim:



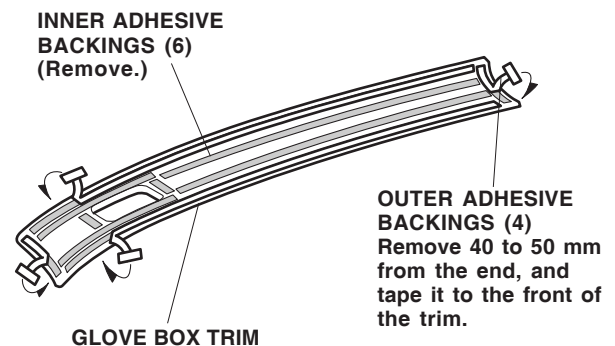
### Inside Lower Cover Trim:



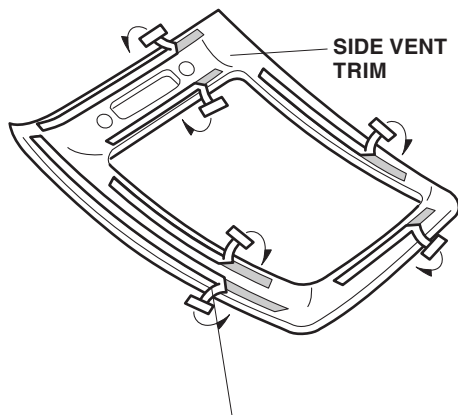
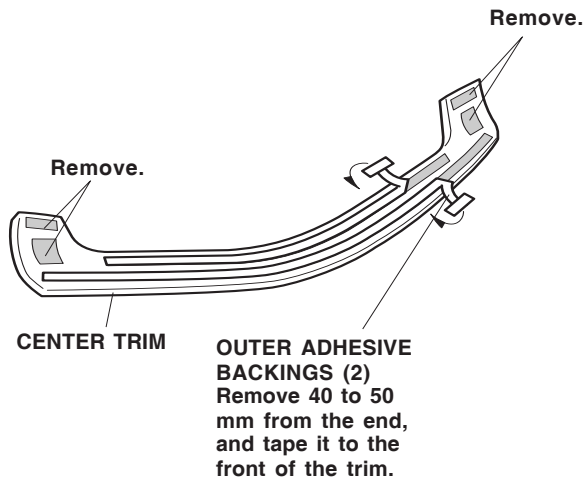
### Outside Lower Cover Trim:



### Glove Box Trim:



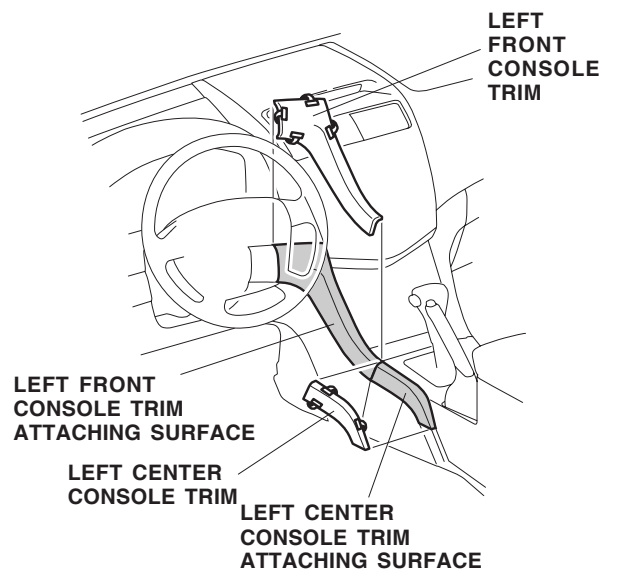
**Center Trim:**



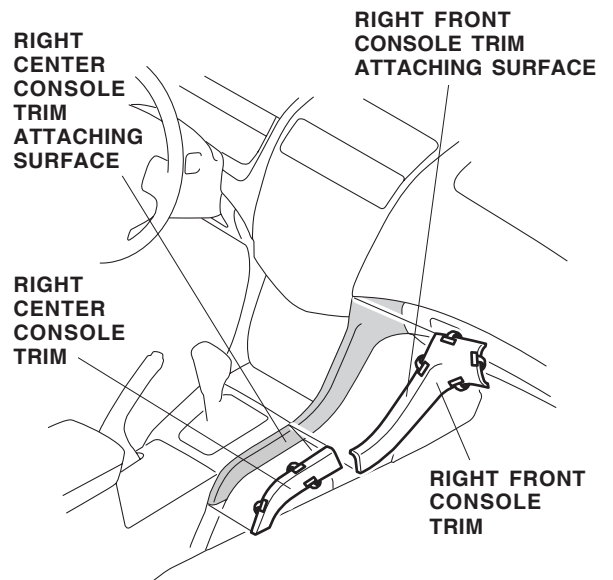
**OUTER ADHESIVE BACKINGS (6)**  
Remove 40 to 50 mm from the end, and tape it to the front of the trim.

4. Position the trim pieces on the existing panels. While applying light pressure on the trim pieces, carefully remove the adhesive backing.
5. After installing the trim pieces, use the palm of your hand to hold pressure against each one for 30 seconds.

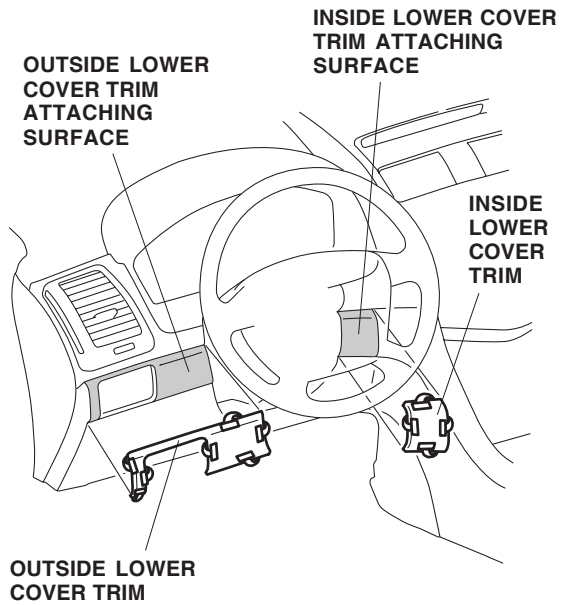
**Left Front Console Trim/Left Center Console Trim:**



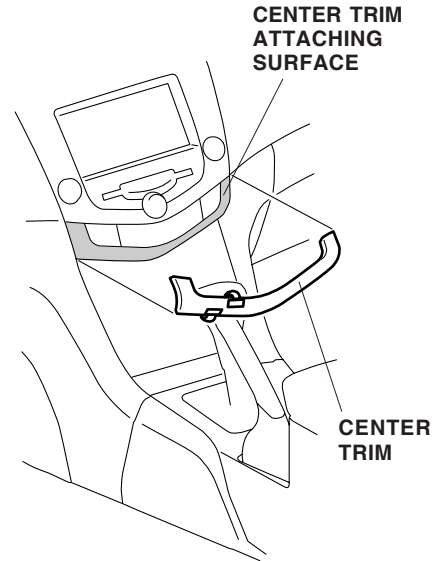
**Right Front Console Trim/Right Center Console Trim:  
Inside and Outside Lower Cover Trim:**



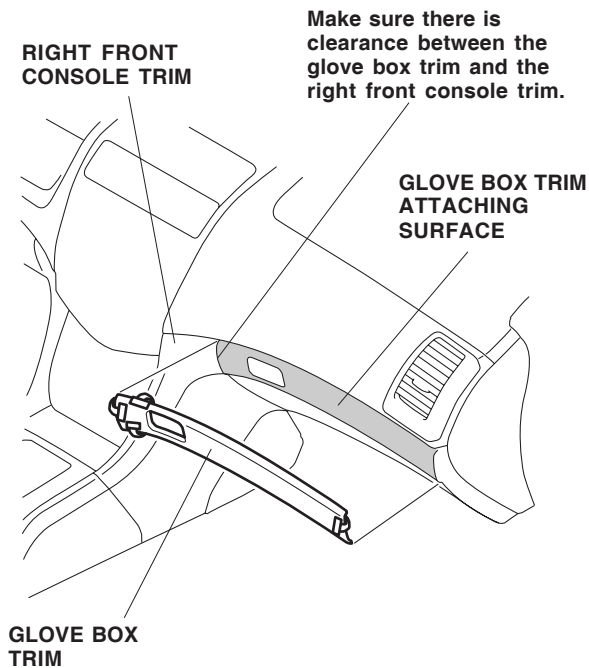
**Inside and Outside Lower:  
Cover Trim:**



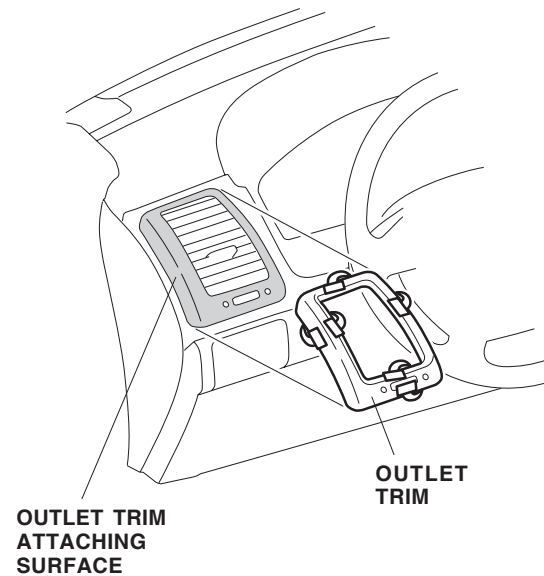
**Center Trim:**



**Glove Box Trim:**



**Right and Left Outlet Trim:**



**USE AND CARE**

Use a sponge or soft cloth dampened with a solution of liquid dishwashing soap and water. After cleaning, wipe with a clean, soft cloth. Do not use cleaners or polishes containing abrasive compounds to clean the interior trim pieces because they may damage the surface.