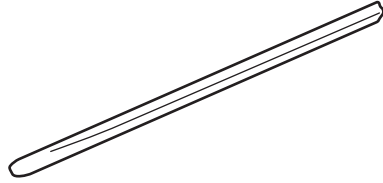
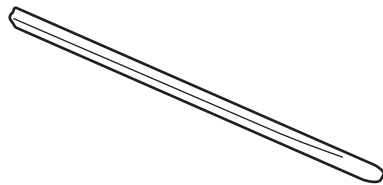


**HONDA**
INSTALLATION
INSTRUCTIONSAccessory
BODY SIDE MOLDING
P/N 08P05-TE0-100Application
ACCORD
2-DOORPublications No.
All 37096Issue Date
SEP 2007**PARTS LIST**

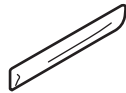
Left front body side molding



Right front body side molding



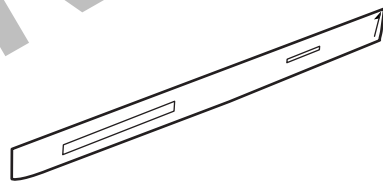
Left rear body side molding



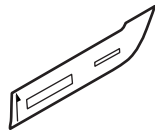
Right rear body side molding



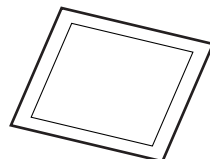
Front template



Rear template



4 Alcohol swabs

**TOOLS AND SUPPLIES REQUIRED**

Shop towel

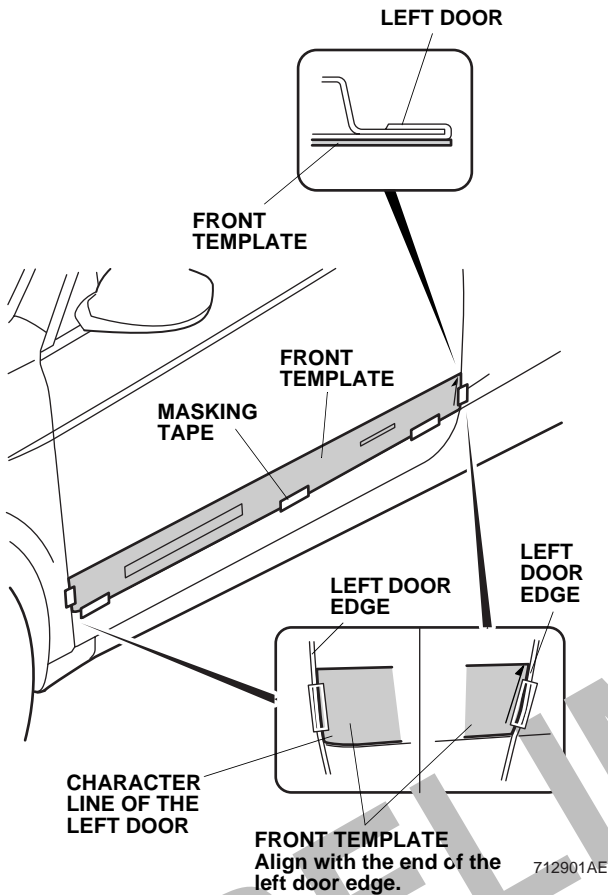
Masking tape

Rubber roller (T/N: MHLE54D)

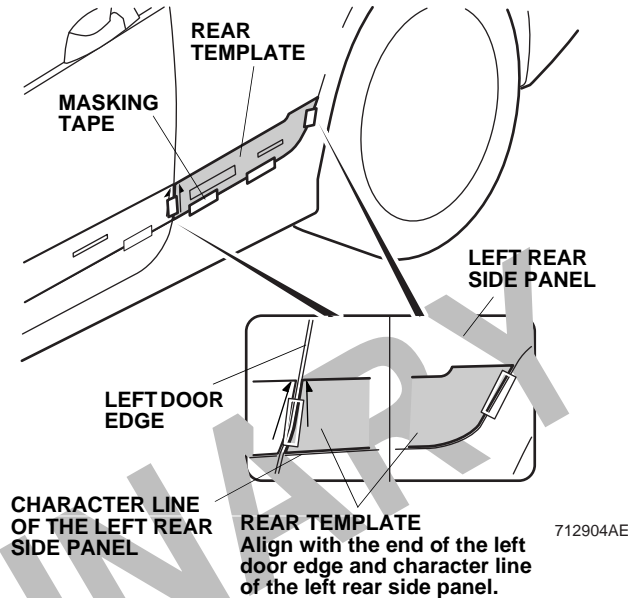
INSTALLATION

- Be careful not to damage the body paint finish.
- This body side molding kit should be installed only if the ambient air temperature is 60°F (15°C) or above.
- To allow the adhesive to cure, do not wash the vehicle for 24 hours.
- These instructions are for the left side of the vehicle. The same procedure applies to the right side of the vehicle.
- If you're also installing door edge guards (sold separately), install them before you install the body side moldings.

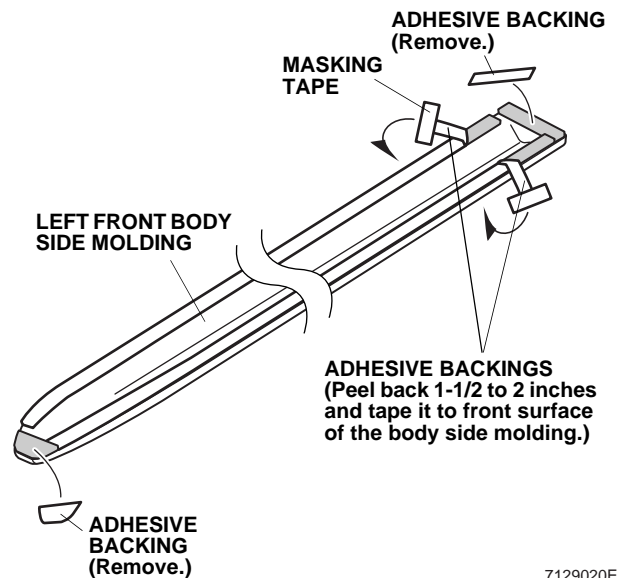
1. Place the front template in the position shown by aligning it with the end of the left door edges and the character line of the left door. Secure the template with the masking tape as shown.



2. Place the rear template in the position shown by aligning it with the end of the left door edge and the top end of the character line of the left rear side panel. Secure the rear template with the masking tape as shown.



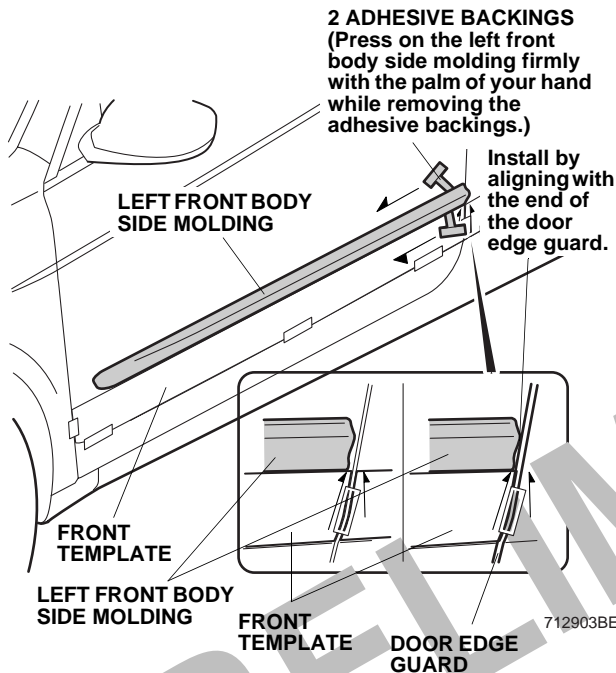
3. Clean the surface where the left front body side molding will be attached using the alcohol swab. Allow the alcohol to dry completely.
4. Peel back approximately 1-1/2 to 2 inches of adhesive backing from each adhesive tape, and tape the ends to the front surface of the body side molding. Remove the small end pieces of adhesive backing.



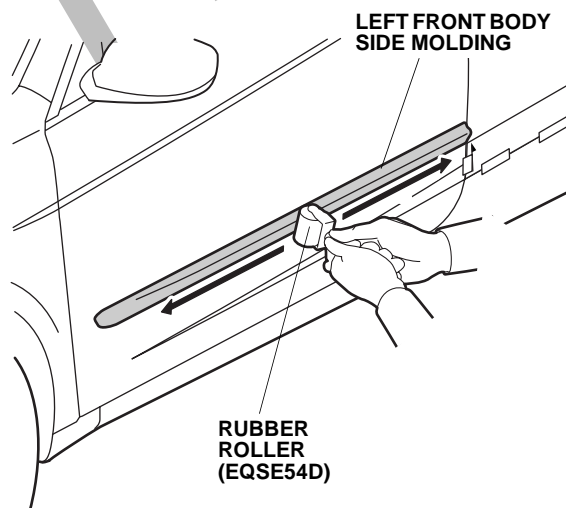
- Align the end of the left front body side molding with the front template as shown, and temporarily attach it along the top end of the front template.

NOTE: If the vehicle has door edge guards installed, align the end of the body side molding with the door edge guard.

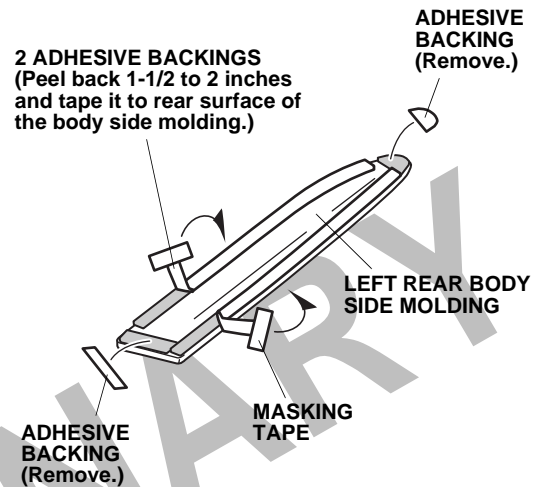
- Press on the left front body side molding firmly with the palm of your hand while removing the adhesive backings. Remove about 50 to 100 mm at a time while pressing on the molding with the palm of your hand.



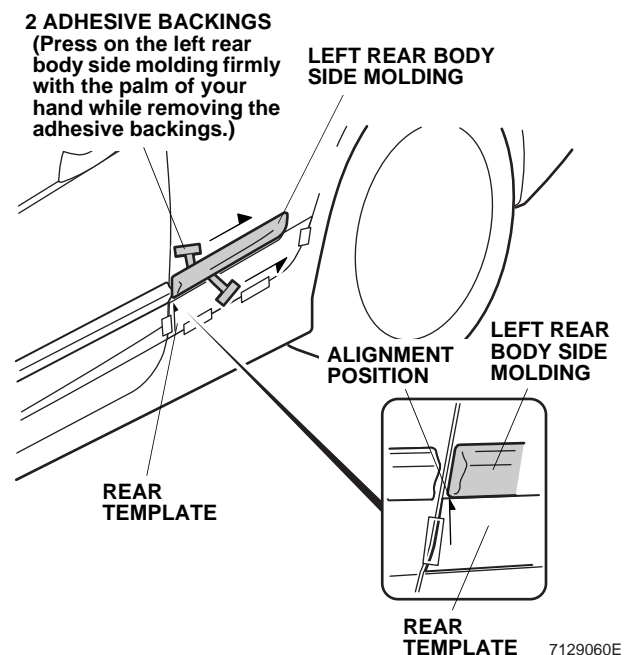
- Remove the front template.
- Using the rubber roller, apply firm pressure while rolling to set the adhesive.



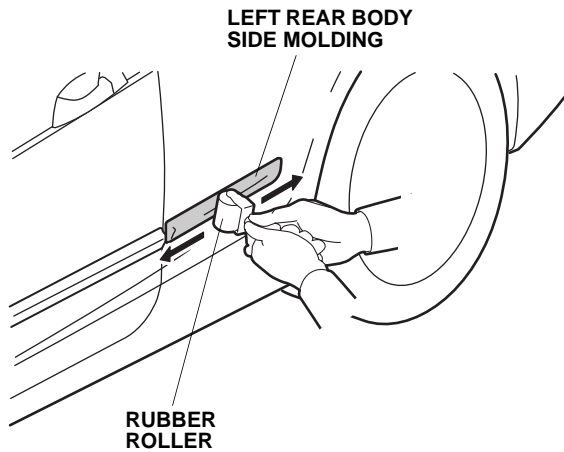
- Clean the surface where the left rear body side molding will be attached using the alcohol swab. Allow the alcohol to dry completely.
- Peel back approximately 1-1/2 to 2 inches of adhesive backing from each adhesive tape, and tape the ends to the rear surface of the body side molding. Remove the other adhesive backings.



- Align the end of the left rear body side molding with the rear template as shown, and temporarily attach it along the top end of the rear template.
- Press on the left rear body side molding firmly with the palm of your hand while removing the adhesive backings. Remove about 50 to 100 mm at a time pressing on the protector with the palm of your hand.



13. Remove the rear template.
14. Using the rubber roller, apply firm pressure while rolling to set the adhesive.
15. Turn the templates over and repeat steps 1 thru 14 to install the right body side moldings.



753103AE

PRELIMINARY