



# INSTALLATION INSTRUCTIONS

Accessory  
**DOOR SILL TRIM**  
P/N 08F05-TE0-100

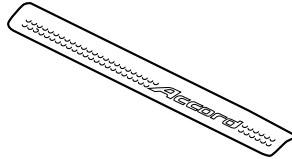
Application  
**2011 ACCORD**  
2-DOOR

Publications No.  
**All 44133**

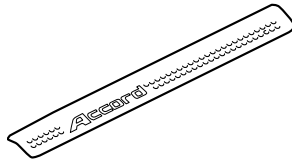
Issue Date  
**AUG 2010**

## PARTS LIST

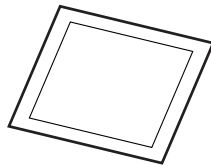
Left door sill plate



Right door sill plate



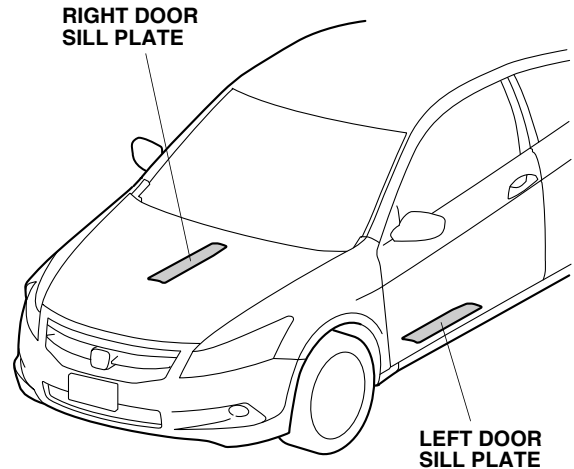
2 Alcohol swabs



## TOOLS AND SUPPLIES REQUIRED

Tape measure  
Masking tape

## Illustration of the Door Sill Trim installed on the vehicle



## INSTALLATION

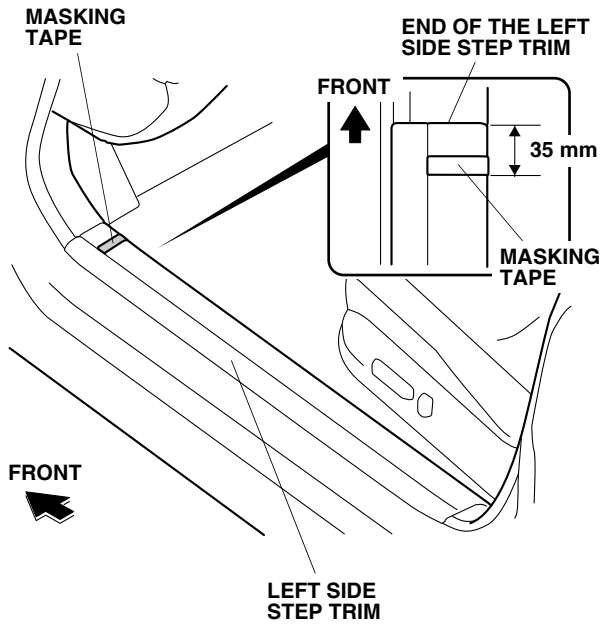
**Customer Information:** The information in this installation instruction is intended for use only by skilled technicians who have the proper tools, equipment, and training to correctly and safely add equipment to your vehicle. These procedures should not be attempted by “do-it-yourselfers.”

### NOTE:

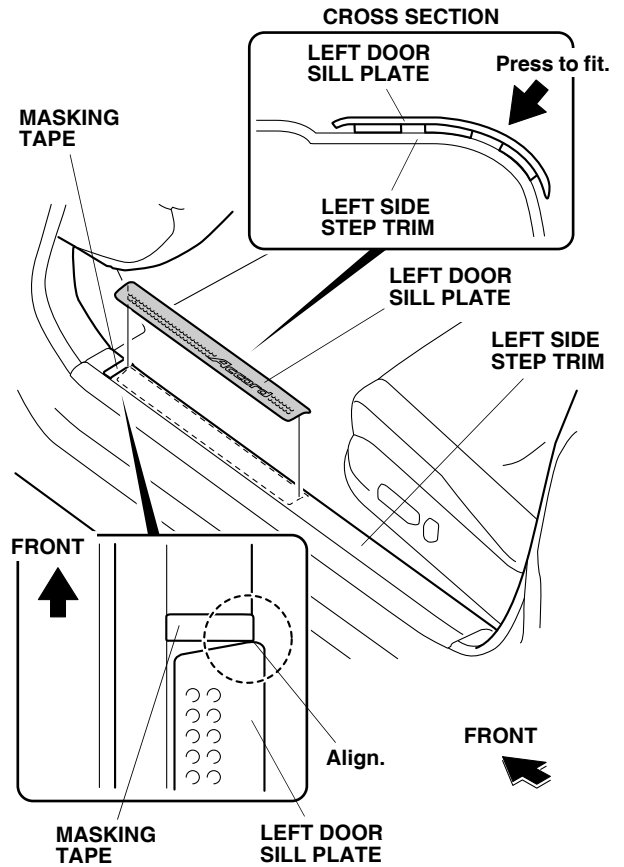
- Be careful not to damage the body paint finish.
- This kit should be installed only if the ambient air temperature is 15°C (60°F) or above.
- To allow the adhesive to cure, do not wash the vehicle for 24 hours. Please advise the customer.

## Installing the Door Sill Trim

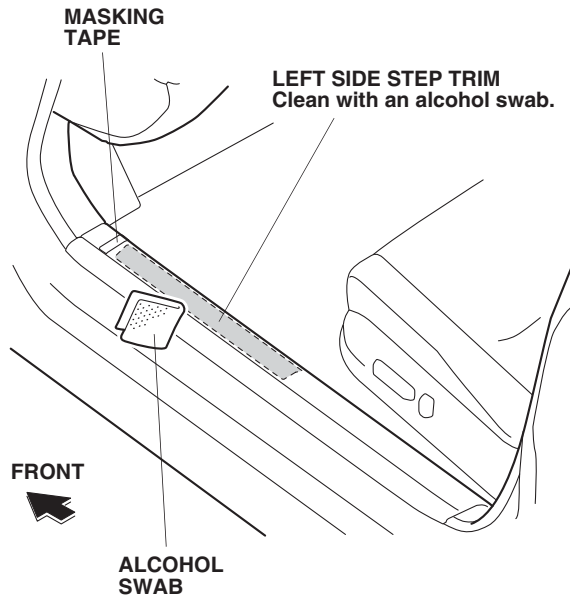
1. Open the left door. Measure and attach a piece of masking tape to the left side step trim as shown.



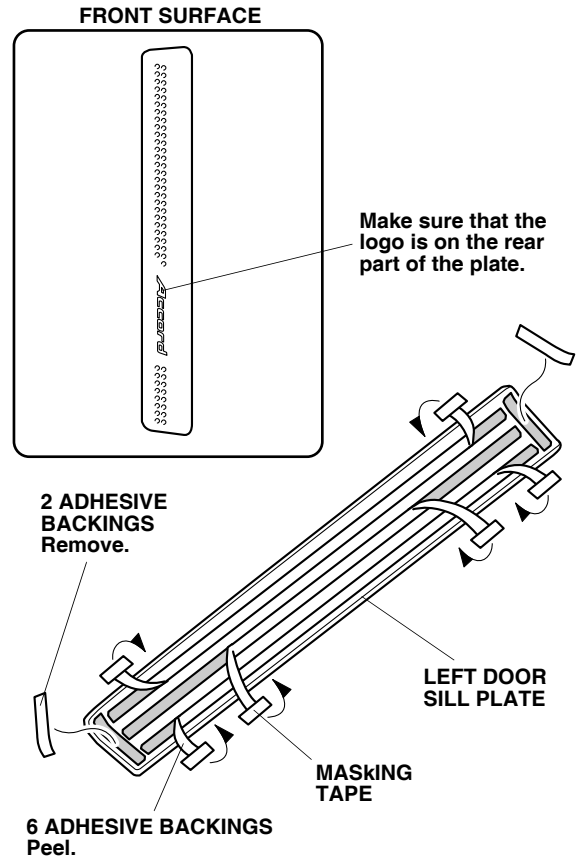
2. Align the front edge of the left door sill plate to the masking tape attached in step 1, then press on the left door sill plate to fit it to the left side step trim as shown.



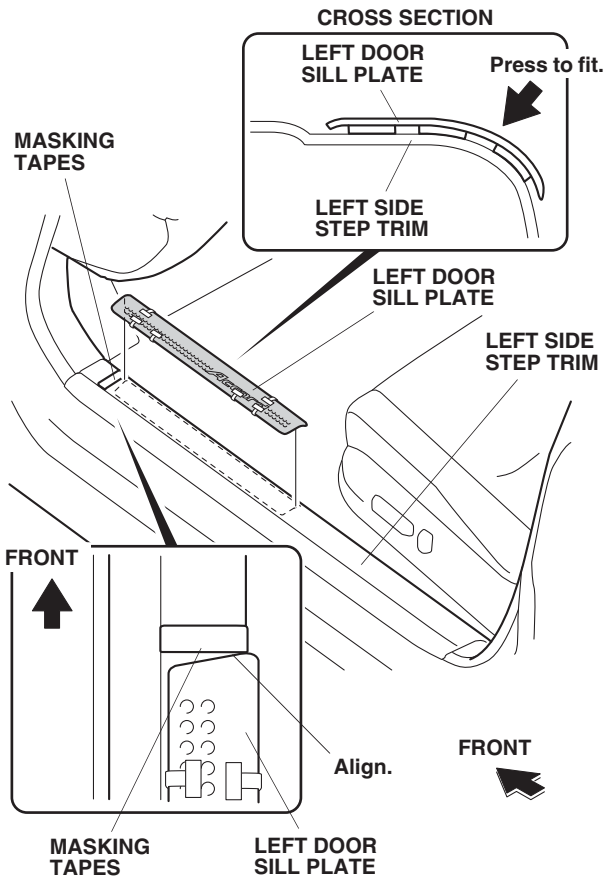
3. Using an alcohol swab, thoroughly clean the left side step trim where the door sill trim will attach.



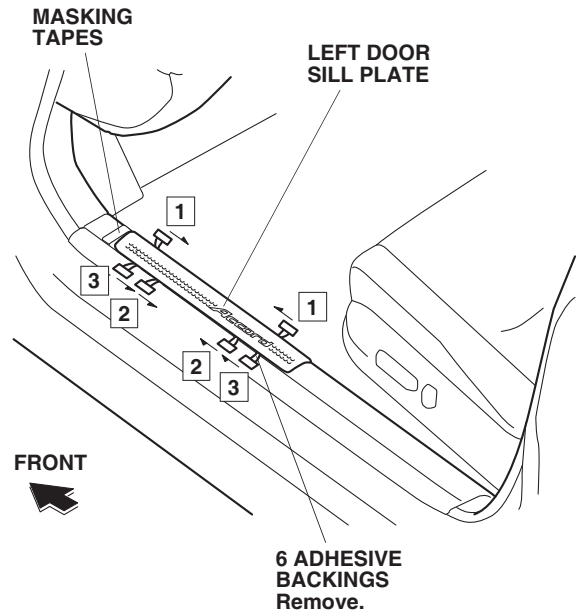
4. Attach pieces of masking tape to the ends of the adhesive backings as shown. Peel back the adhesive backings partway and temporarily attach them to the outer surface of the left door sill plate. Remove the remaining adhesive backings. **NOTE:** To verify that you have the left door sill plate, make sure that the logo is on the rear of the plate.



- Align the left door sill plate to the masking tape, then push to fit the left door sill plate to the left side step trim as shown.



- While applying light pressure against the left door sill plate, carefully remove the taped adhesive backings in the order shown. Using the palm of your hand, firmly press the left door sill plate to the left side step trim.



- Remove the masking tape.
- Repeat steps 1 through 7 on the right side of the vehicle.