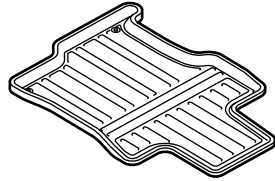
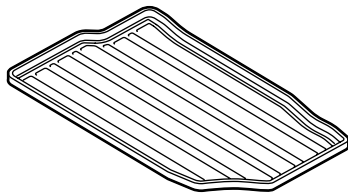


PARTS LIST

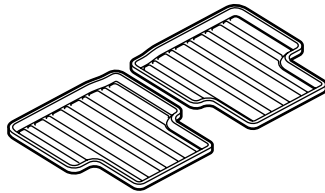
Driver's side front floor mat



Passenger's side front floor mat



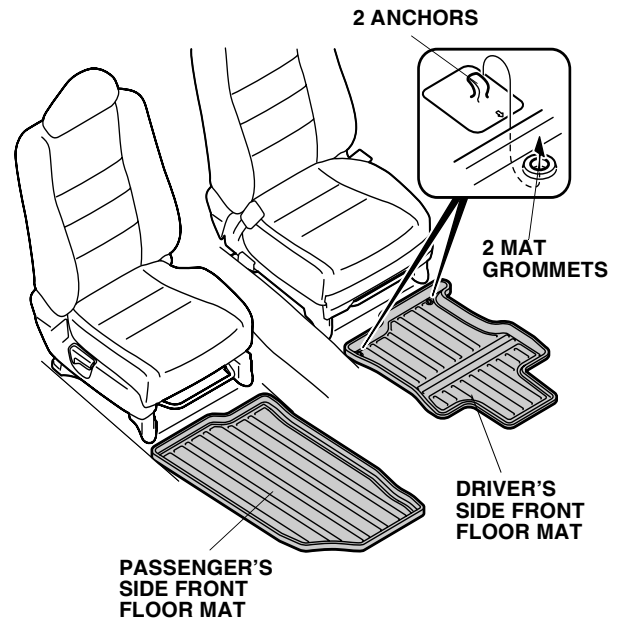
2 Rear floor mats

**INSTALLATION****NOTE:**

- Before installing, identify each floor mat.
- Remove the standard floor mats before installing these floor mats.
- This vehicle is equipped with two floor carpet anchors on the driver's side; the anchors prevent the driver's side front floor mat from sliding forward and interfering with the pedals.
- If you remove the driver's front floor mat, make sure you re-anchor it when you put it back in the vehicle.

Installing the Floor Mats

1. Install the driver's side front floor mat by placing the mat grommets over the anchors on the floor.



2. Install the passenger's side front floor mat.
3. Install the rear floor mats according to the marks on the bottom of each rear floor mat.

