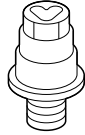


<b>Accessory</b> <b>ENGINE BLOCK HEATER</b> <b>P/N 08T44-SNA-101</b>	<b>Application</b> <b>2013 ACCORD V6</b> <b>2-DOOR</b>	<b>Publications No.</b> <b>All 13007</b>
		<b>Issue Date</b> <b>OCT 2012</b>

### PARTS LIST

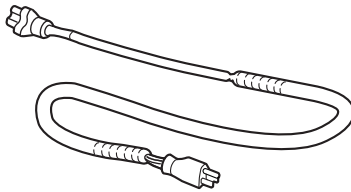
Engine block heater



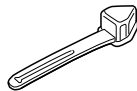
Aluminum washer



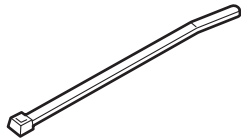
Heater harness



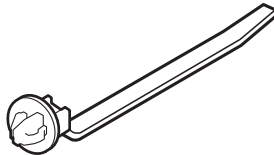
Protective cap



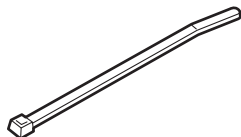
12 Black wire ties  
(4 not used)



7 Wire ties with clip  
(4 not used)



5 Wire ties (Natural)



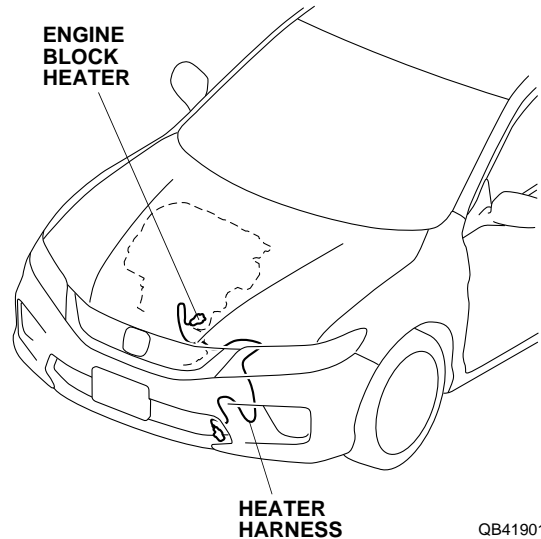
### TOOLS AND SUPPLIES REQUIRED

- Ratchet
- 10 mm, 19 mm, and 24 mm Sockets
- 10 mm Open end wrench
- Torque wrench
- Diagonal cutters
- Heavy gloves
- Drain pan
- Tape measure
- White marker
- Coolant (Honda All Season Antifreeze/Coolant Type 2)
- Fender cover
- Phillips screwdriver
- Masking tape
- Blanket

*The following tool is available through the Honda Tool and Equipment Program. On the iN, click on: Service > Service Bay > Tool and Equipment Program, then enter the number under "Search." Or, call 888-424-6857.*

- Trim Tool Set (T/N SOJATP2014)

### Illustration of the Engine Block Heater in the Vehicle



QB41901AE

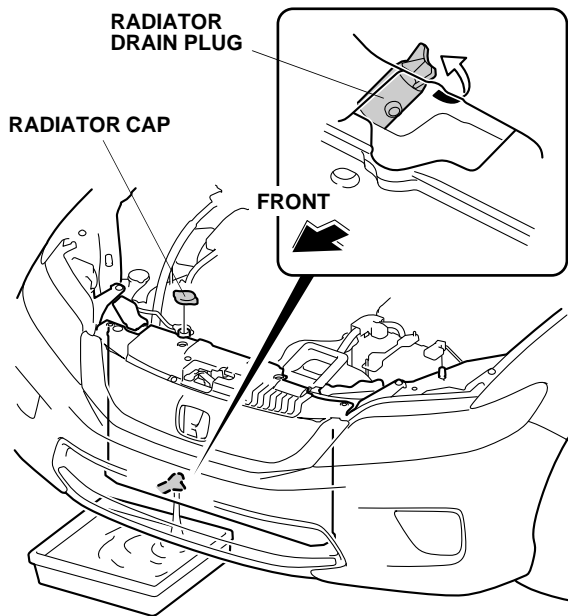
## INSTALLATION

**Customer Information:** The information in this installation instruction is intended for use only by skilled technicians who have the proper tools, equipment, and training to correctly and safely add equipment to your vehicle. These procedures should not be attempted by “do-it-yourselfers.”

### NOTE:

- Always use, Honda All Season Antifreeze/Coolant Type 2. Using a non-Honda coolant can result in corrosion, causing the cooling system to malfunction or fail.
  - To avoid burning out the element, do not operate the engine block heater until it is installed in the vehicle and you have added coolant.
1. Disconnect the negative cable from the battery.
  2. Allow the engine and all cooling system components to cool down.
  3. Place a clean drain pan under the radiator drain plug, then remove the drain plug from the bottom of the radiator to drain the coolant. Remove the radiator cap to increase the flow.

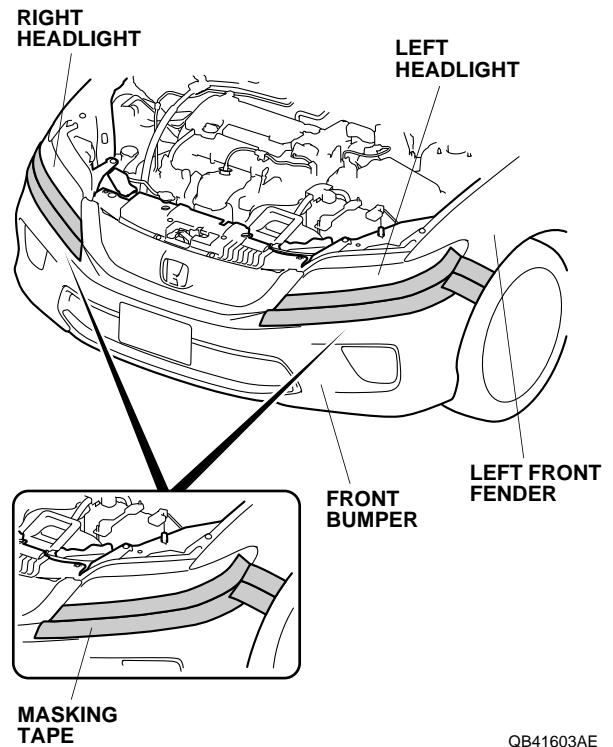
**NOTICE:** Radiator coolant will damage the paint. Quickly rinse any spilled coolant from the paint finish.



QB41602AE

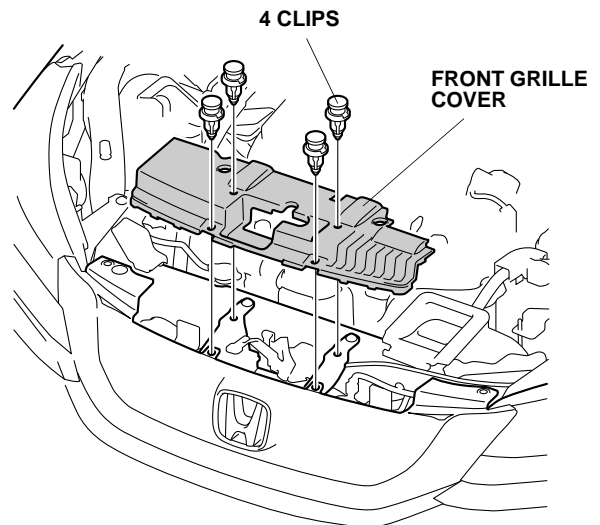
4. After the coolant drains, reinstall the radiator cap to prevent dirt and contamination from entering the radiator.

5. Attach masking tape to the front bumper, headlights and front fenders as shown.



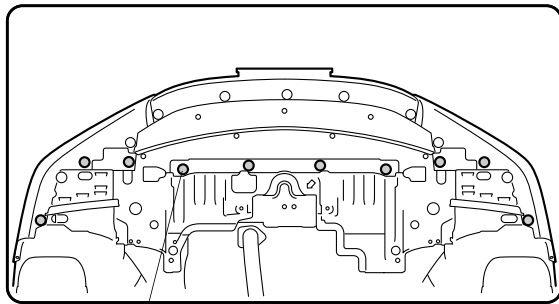
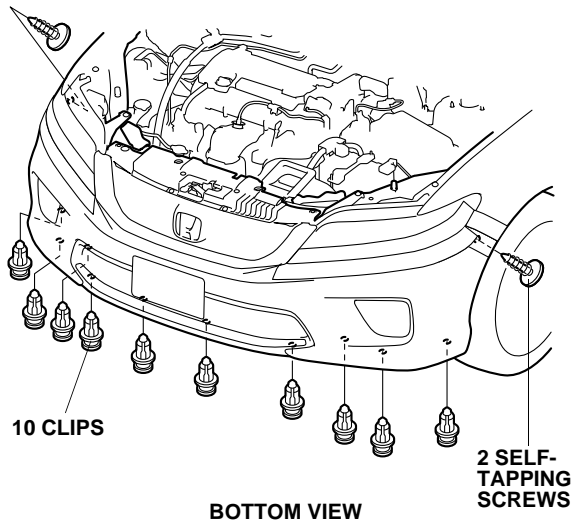
QB41603AE

6. Remove the front grille cover (four clips).



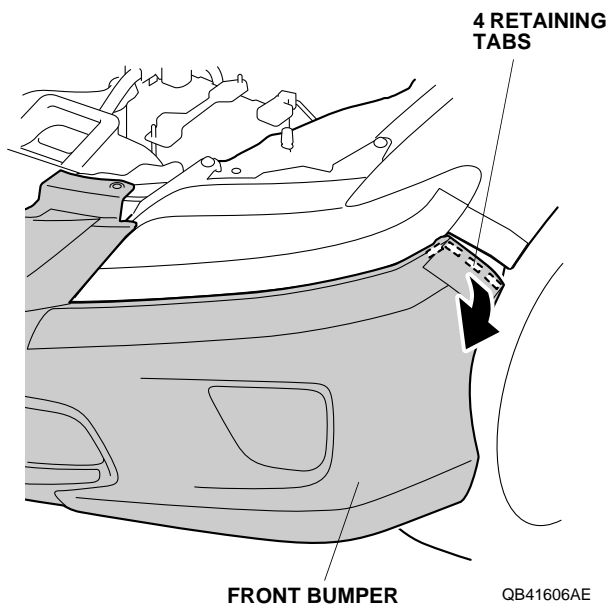
QB41604AE

7. Remove the front bumper.
  - Remove the two self-tapping screws and ten clips.

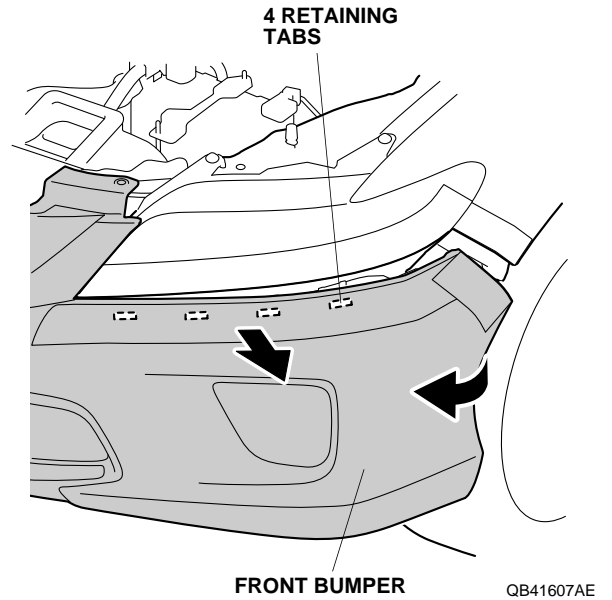


QB41605BE

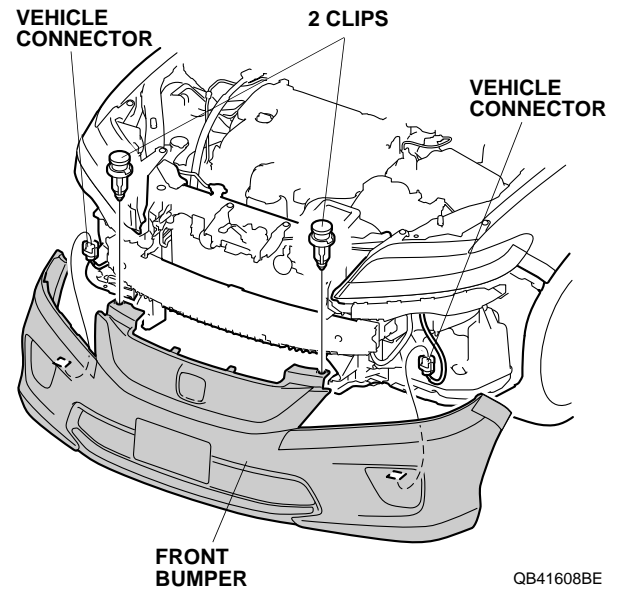
- Release the four retaining tabs on each side.



- Release the four retaining tabs on each side.

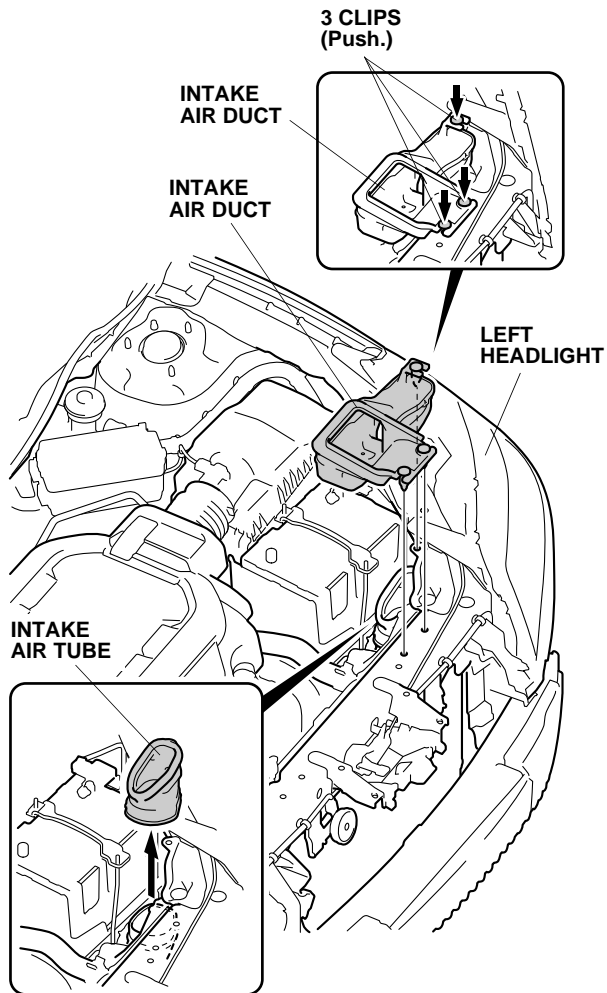


- Remove the two clips. With the help of an assistant, remove the front bumper.



- Place the front bumper on a blanket.

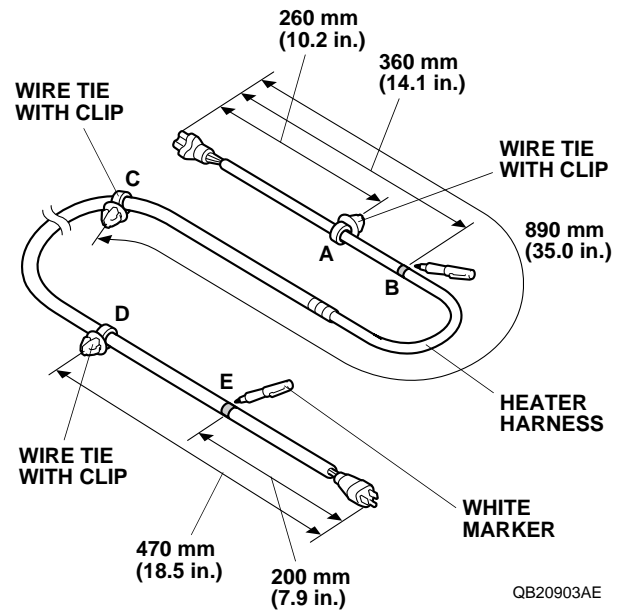
- Remove the intake air duct (three clips).



QB41902AE

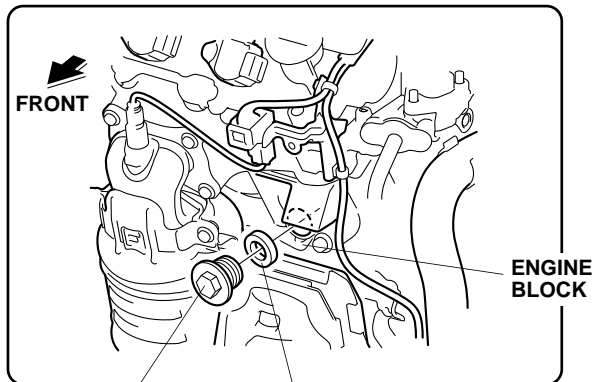
- Remove the intake air tube.

- Get the heater harness. Using a tape measure, install a wire tie with clip to the heater harness at the measurements (A), (C), and (D).



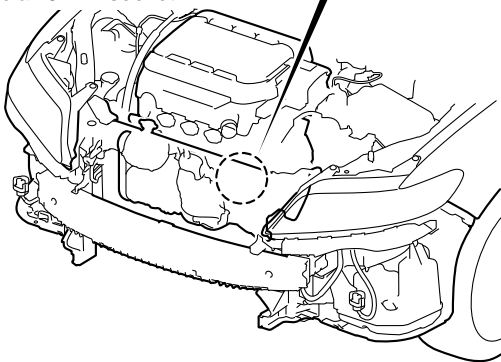
- Using a white marker, mark the heater harness at the measurements (B) and (E).

- Locate and remove the engine block drain bolt and washer. Coolant remaining in the engine jackets will flow out of the bolt hole when the bolt is removed. (Retain the bolt, in case the engine block heater is removed.)



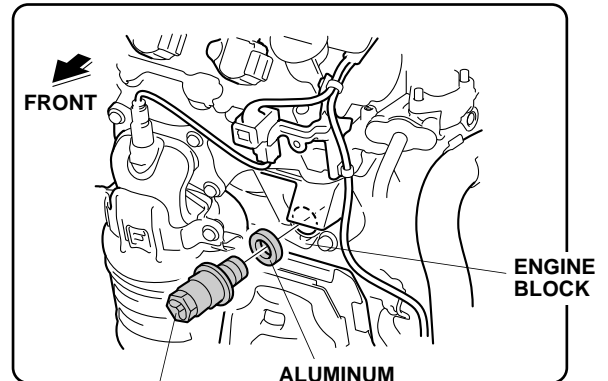
**ENGINE BLOCK DRAIN BOLT**  
(Retain.)  
Use a 19 mm socket.

**WASHER**  
(Discard.)

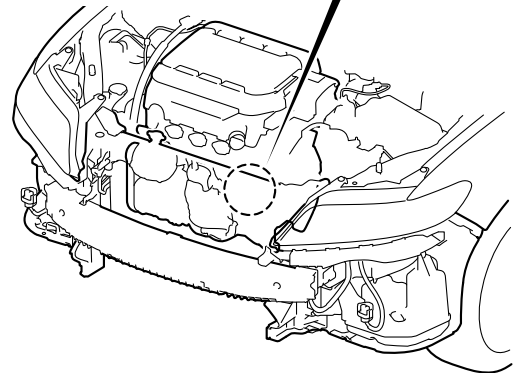


QB41903BE

- Install the engine block heater and aluminum washer into the engine block using a 24 mm socket and a torque wrench. Torque the engine block heater to 80 N·m (59 lbf·ft).

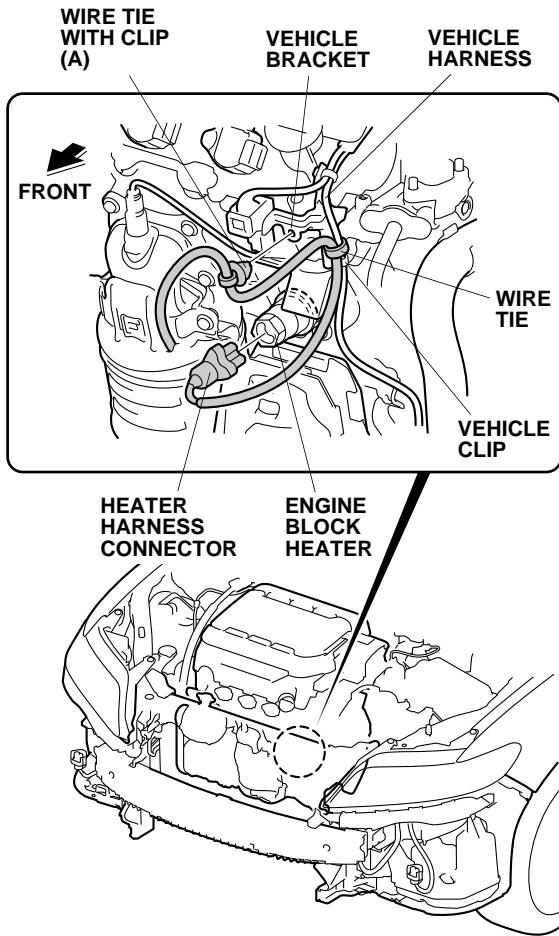


**ENGINE BLOCK HEATER**  
80 N·m (59 lbf·ft)  
Use a 24 mm socket.



QB41904BE

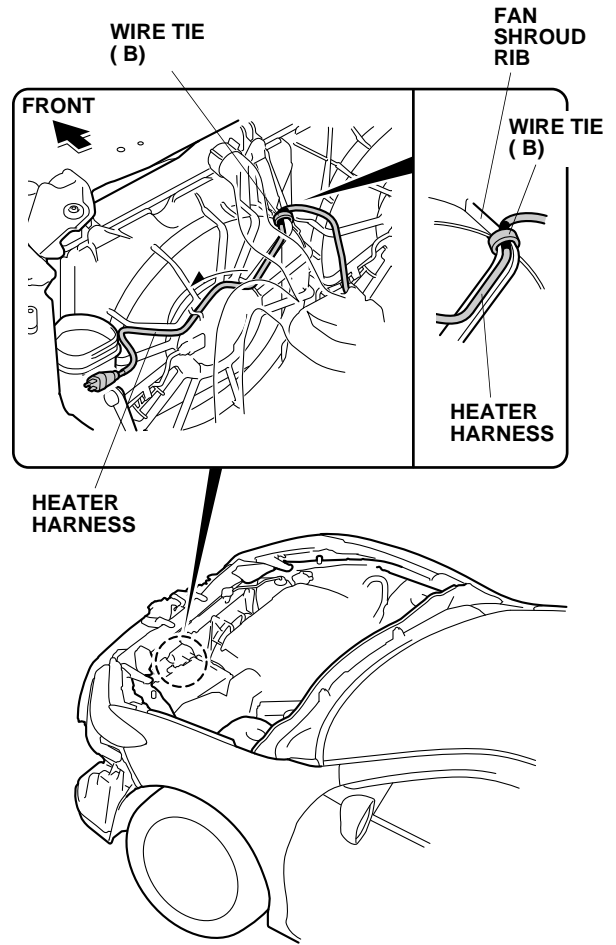
14. Plug the heater harness connector into the engine block heater. Make sure the heater harness connector is fully seated in the engine block heater.



QB41905BE

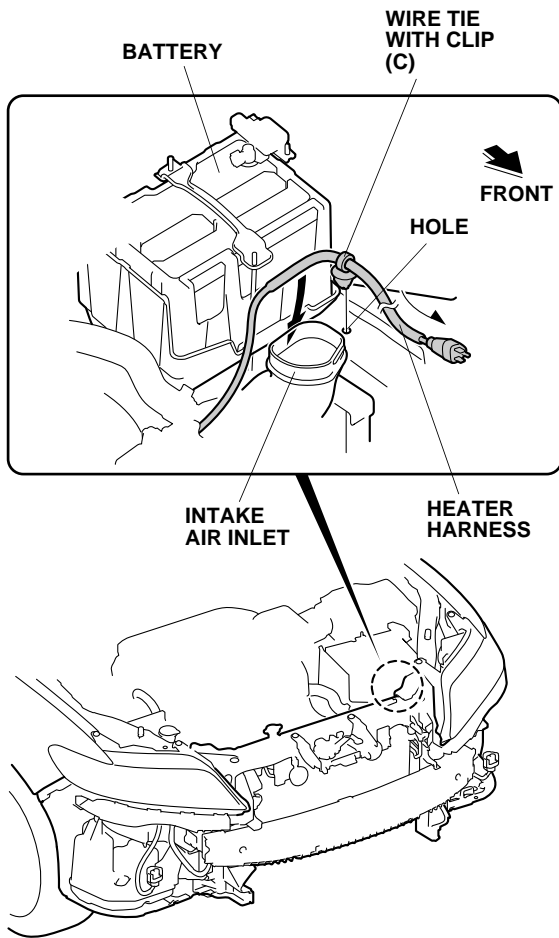
15. Route the heater harness in the direction shown, and secure the wire tie with clip (A) to the vehicle bracket. Secure the heater harness to the vehicle harness with one wire tie.

16. Route the heater harness as shown, and secure it to the fan shroud rib with one wire tie (B).



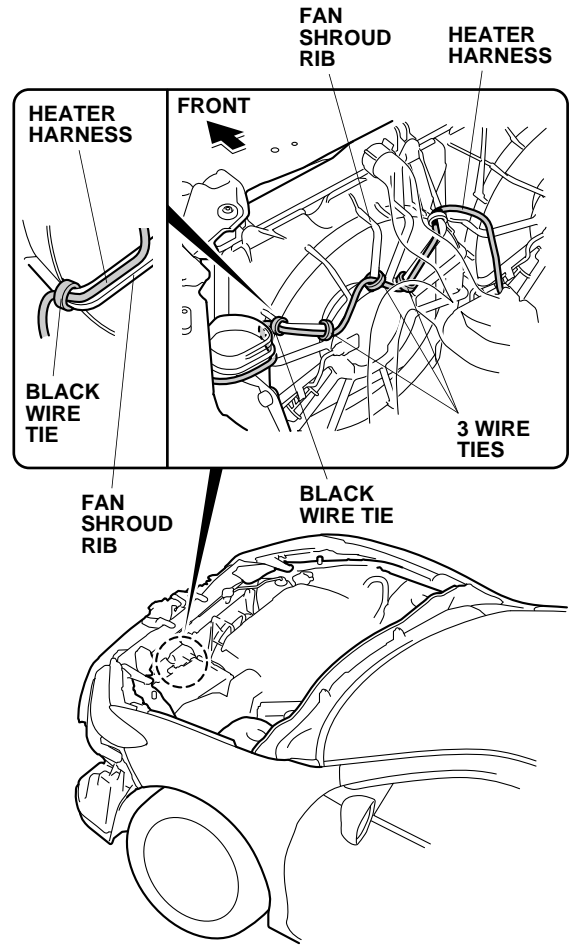
QB41906AE

- Continue routing the heater harness around the intake air inlet as shown, and secure it to the hole in the vehicle panel with the wire tie with clip (C).



QB41706BE

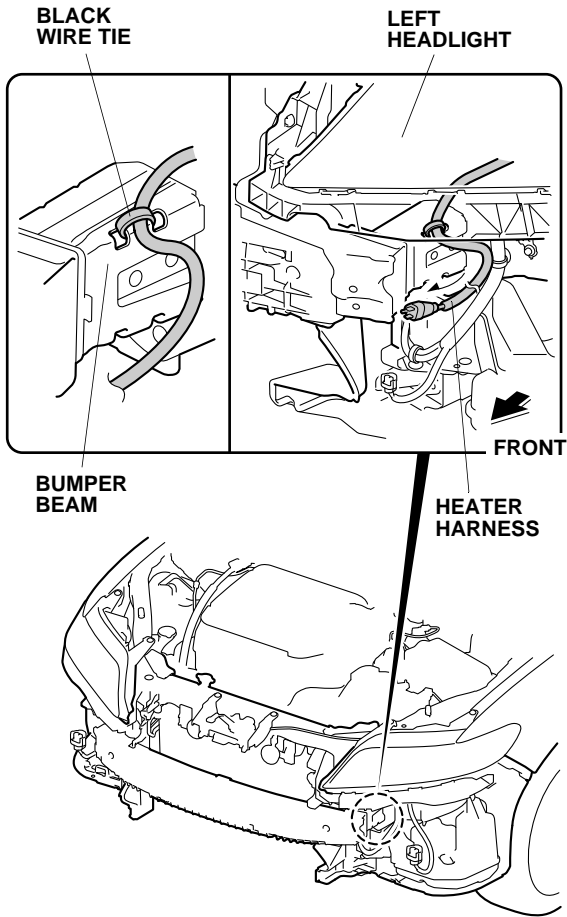
- Secure the heater harness to the fan shroud rib with three additional wire ties.



QB41801BE

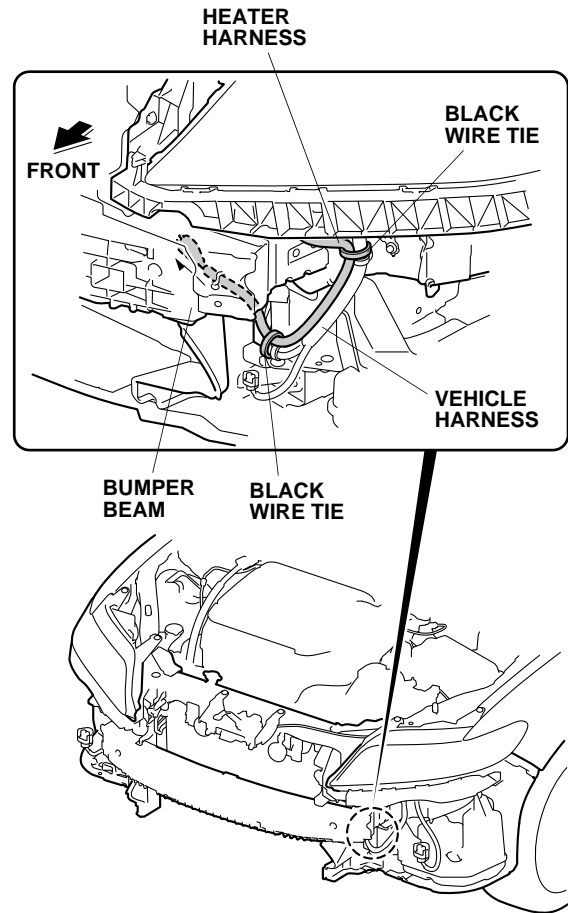
- Secure the heater harness to the fan shroud rib with one black wire tie.

20. Route the heater harness under the left headlight, and secure it to the bumper beam with one black wire tie.



QB41802BE

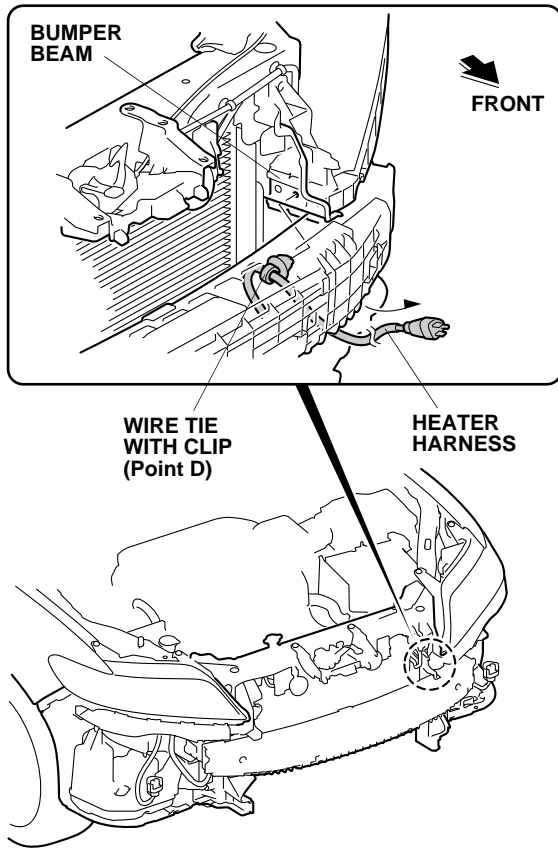
21. Route the heater harness along the vehicle harness, and secure it to the vehicle harness with two black wire ties.



QB41803BE

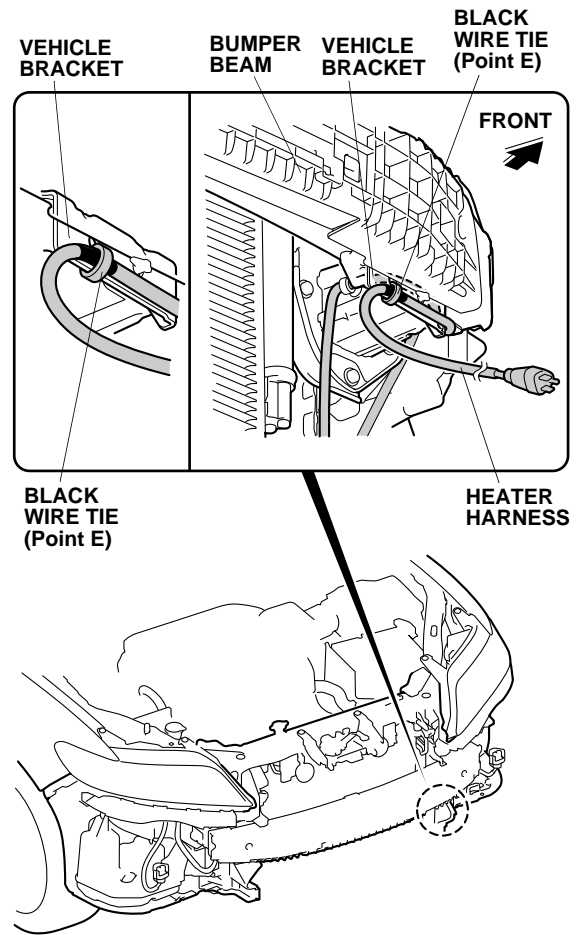


22. Route the heater harness as shown, and secure it to the bumper beam with the wire tie with clip (D).



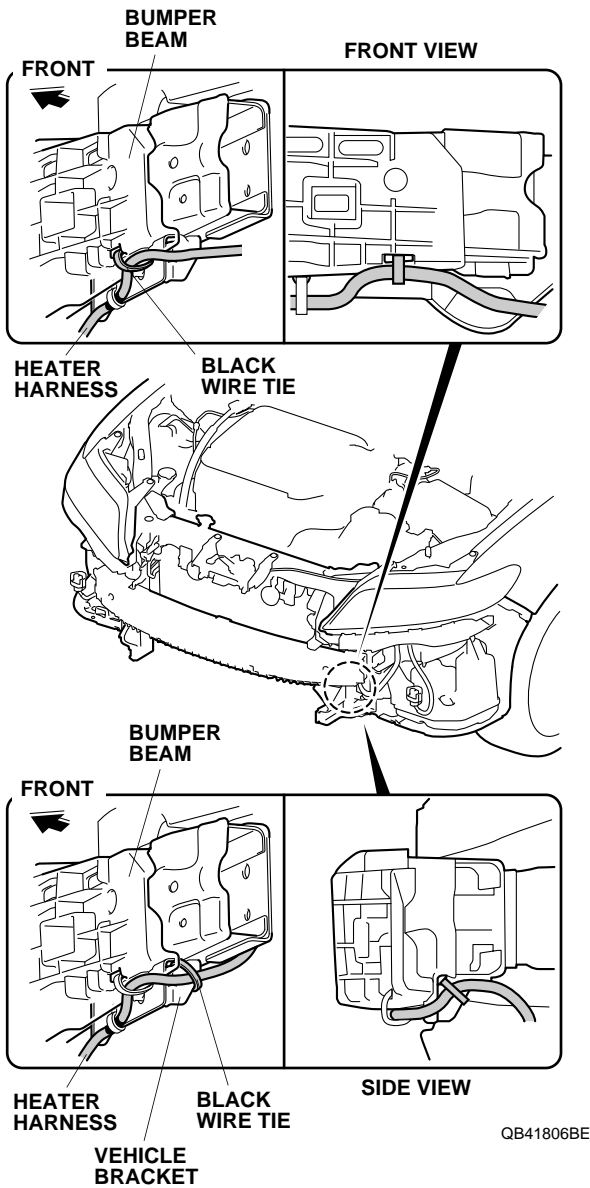
QB41804BE

23. Secure the heater harness to the vehicle bracket with one black wire tie (E).

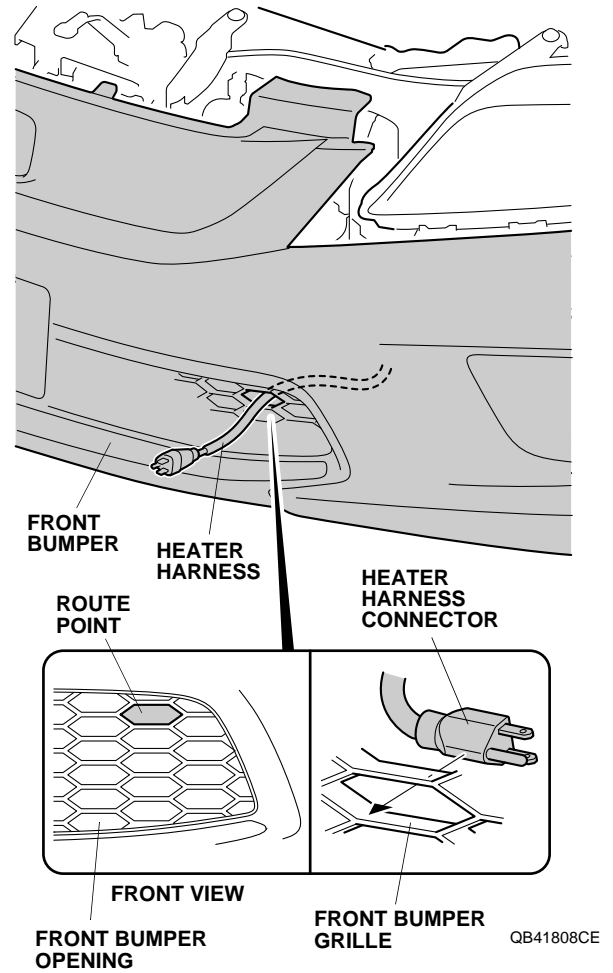


QB41805EE

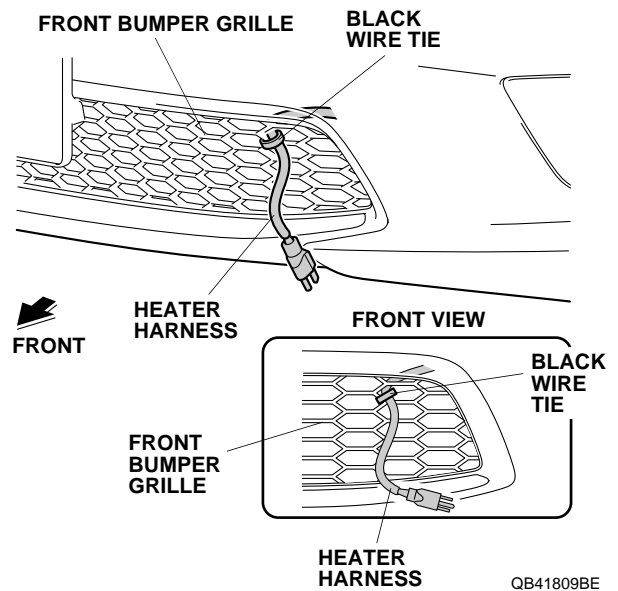
24. Secure the heater harness to the bumper beam and vehicle bracket with two black wire ties.



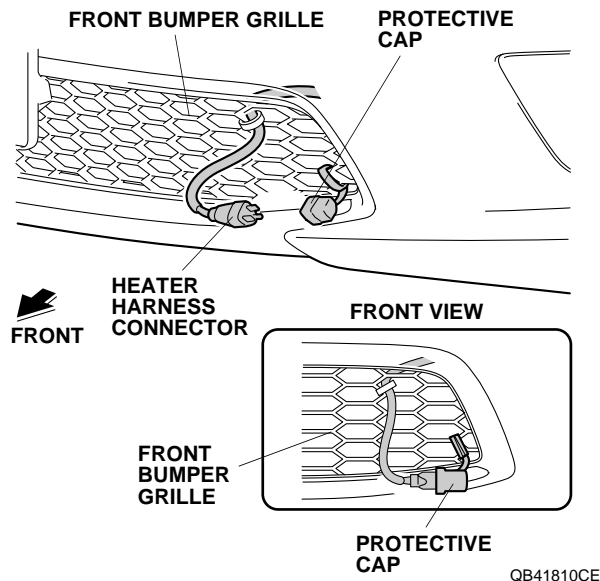
25. With the help of an assistant, route the heater harness through the front bumper opening as shown, and reinstall the front bumper.



26. Secure the heater harness to the front bumper grille with one black wire tie.



27. Install the protective cap to the front bumper grille and plug the heater harness connector into the protective cap.



28. Reinstall all removed parts.
29. Remove the radiator cap and fill the system with the recommended coolant. Follow the instructions in the service manual to fill the cooling system and check for leaks. Particularly check that there is no leak around the engine block heater.
30. Reinstall the radiator cap.
31. Check that the heater harness is routed properly and all connectors are plugged in.
32. Store the drain bolt (removed in step 12) in the glove box.
33. Reconnect the negative cable to the battery.
34. Press and hold the radio power button for two seconds to restore the radio and navi (if equipped) system functions.
35. Reset the clock on vehicle without navigation.