



# INSTALLATION INSTRUCTIONS

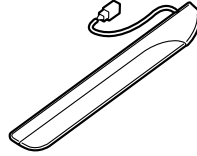
Accessory  
**ILLUMINATED  
DOOR SILL TRIMS**  
P/N 08E12-T2A-100B

Application  
**2013 ACCORD  
4-DOOR**

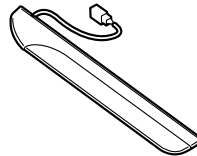
Publications No.  
**All 13036**  
Issue Date  
**AUG 2012**

## PARTS LIST

Right front illuminated door sill trim



Left front illuminated door sill trim



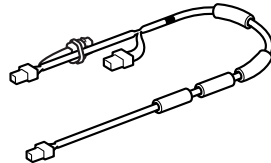
Right rear door sill trim



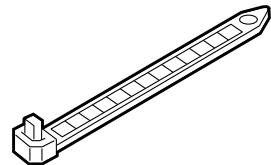
Left rear door sill trim



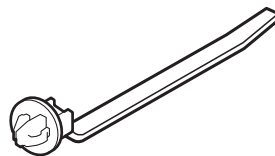
Door sill trim harness



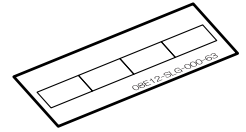
15 Wire ties



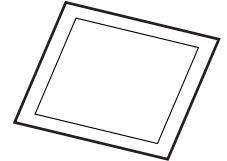
Wire tie with clip



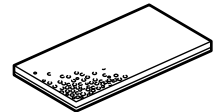
Fuse label



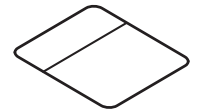
2 Alcohol swabs



Urethane tape



Protective tape



2 Protective clips



## TOOLS AND SUPPLIES REQUIRED

Phillips screwdriver

Isopropyl alcohol

Shop towel

Diagonal cutters

10 mm Open end wrench

Flat-tip screwdriver

Steel wire

Masking tape

Ruler

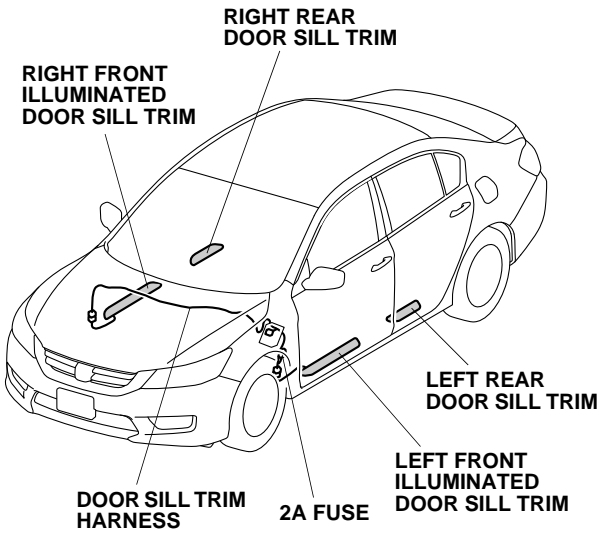
Electrical tape

Scissors

*The following tool is available through the Honda Tool and Equipment Program. On the iN, click on: Service > Service Bay > Tool and Equipment Program, then enter the number under "Search". Or, call 888-424-6857.*

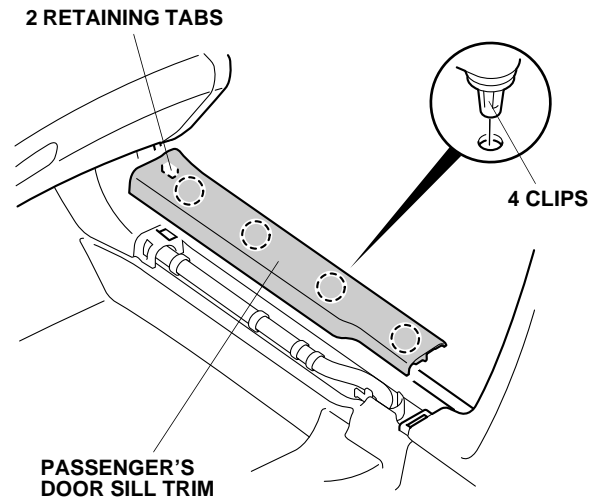
- Trim Tool Set (T/N SOJATP2014)

**Illustration of the Illuminated Door Sill Trims on the Vehicle**



QB21016AB

3. Remove the passenger's door sill trim (two retaining tabs and four clips).

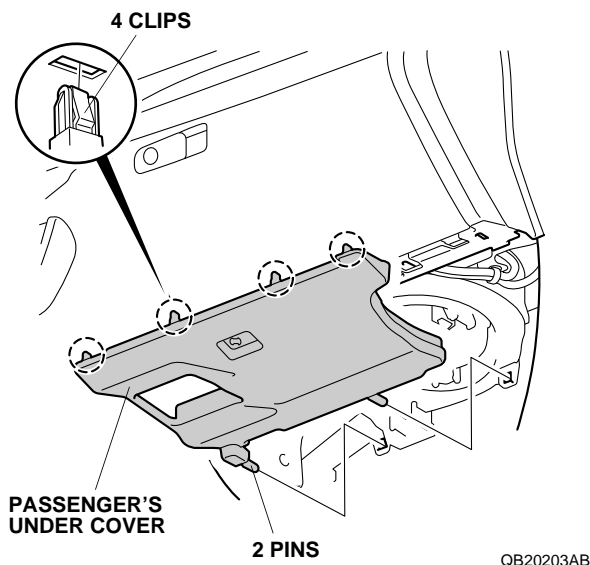


QB20801AB

**INSTALLATION**

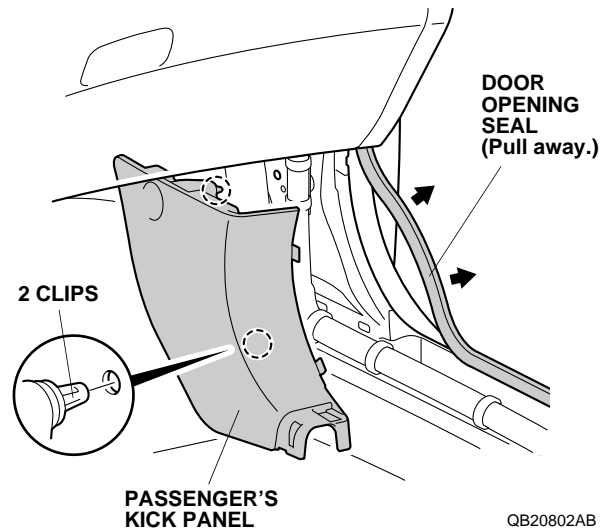
**Customer Information:** The information in this installation instruction is intended for use only by skilled technicians who have the proper tools, equipment, and training to correctly and safely add equipment to your vehicle. These procedures should not be attempted by "do-it-yourselfers."

1. Disconnect the negative cable from the battery.
2. Remove the passenger's under cover (four clips and two pins).



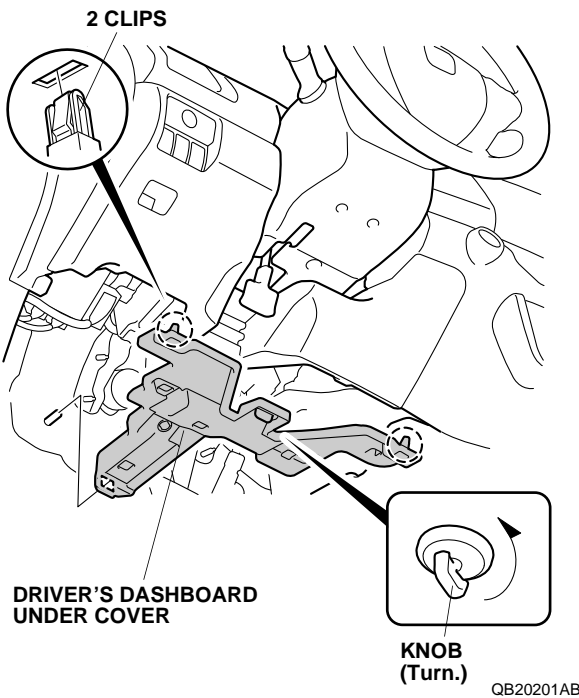
QB20203AB

4. Pull away the door opening seal, and remove the passenger's kick panel (two clips).

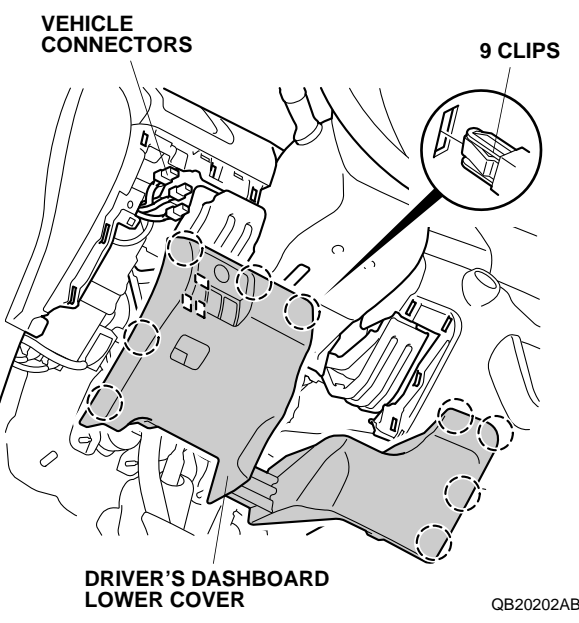


QB20802AB

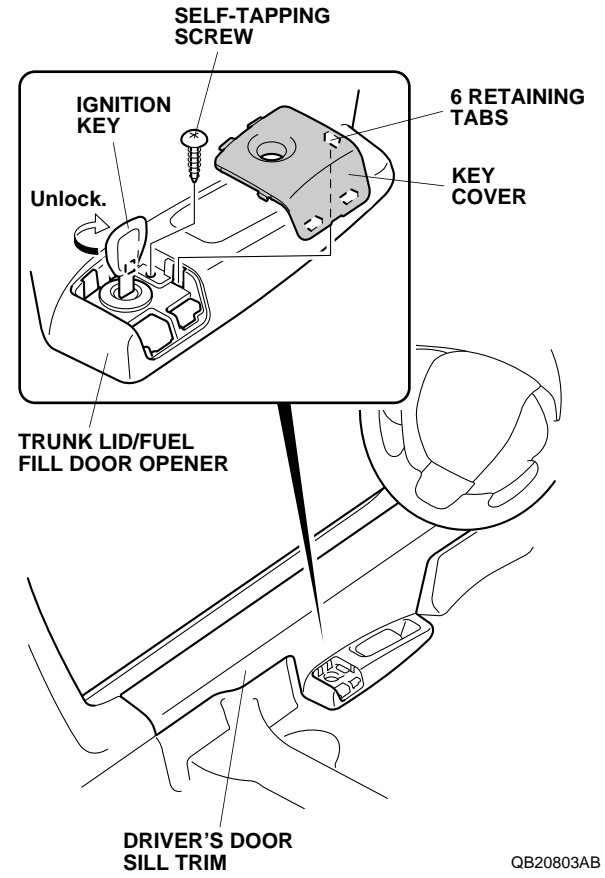
- If equipped, remove the driver's dashboard under cover (turn the knob and release the two clips).



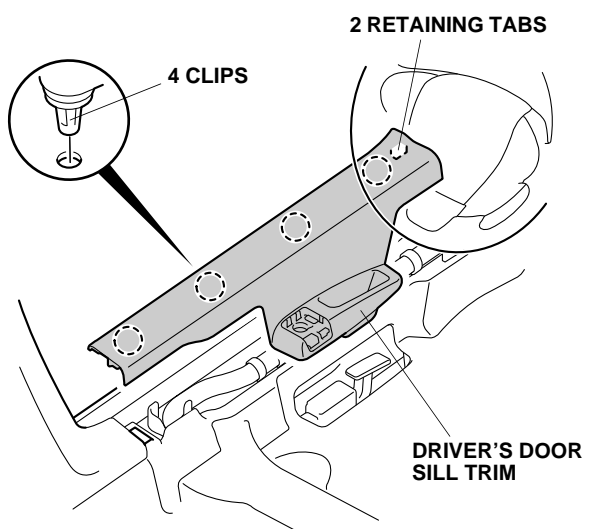
- Remove the driver's dashboard lower cover (nine clips and unplug the vehicle connectors).



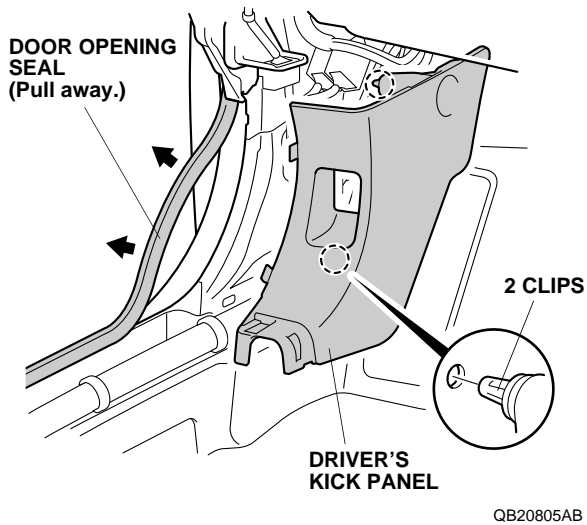
- Using the ignition key, unlock the trunk lid/fuel fill door opener, then remove the ignition key. Remove the key cover (six retaining tabs).



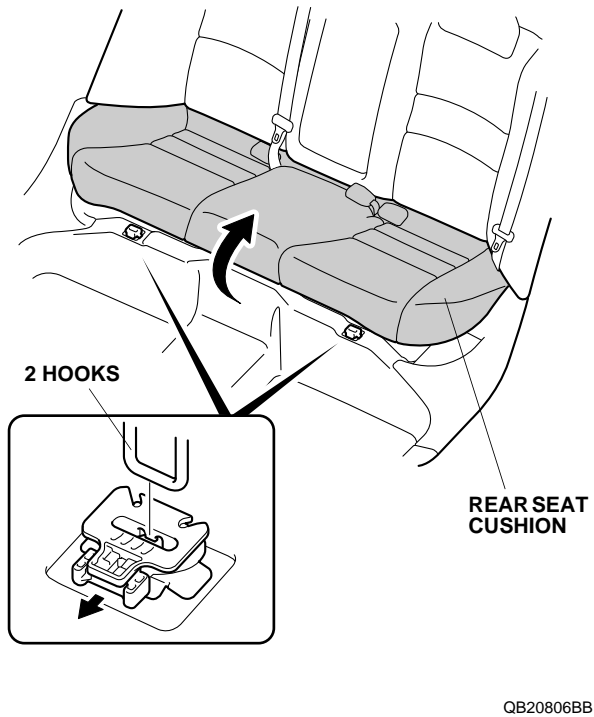
- Remove one self-tapping screw from the trunk lid/fuel fill door opener cover.
- Remove the driver's door sill trim (two retaining tabs and four clips).



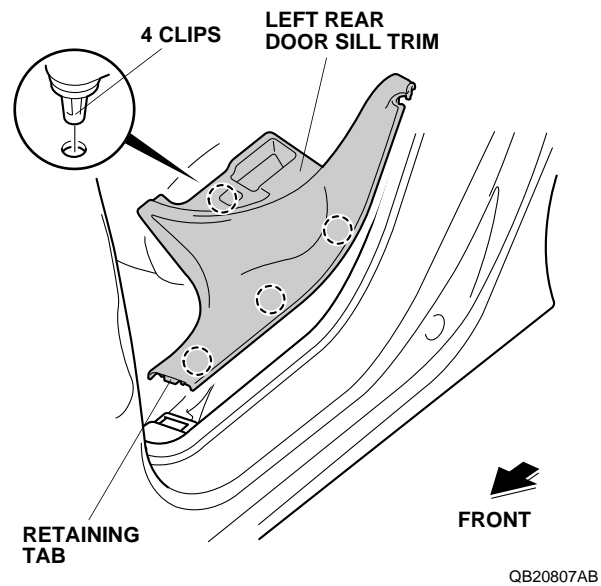
- Pull away the door opening seal, and remove the driver's kick panel (two clips).



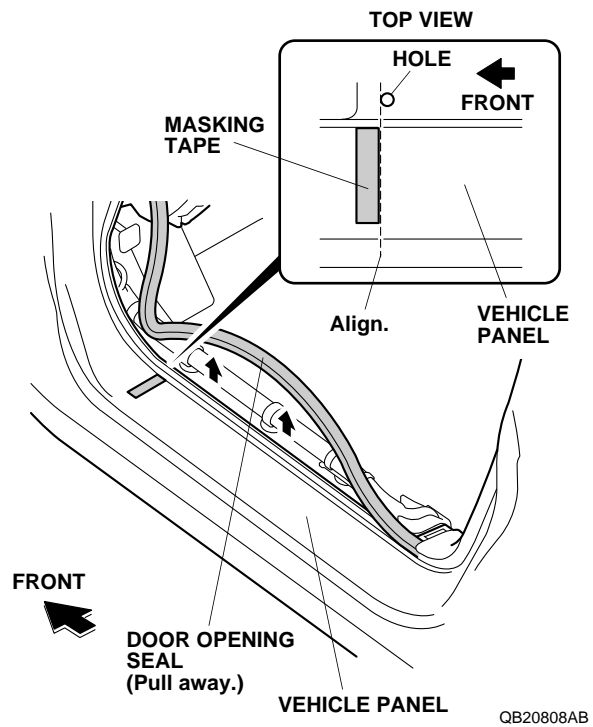
- Release the rear seat cushion (two hooks).



- Remove the left rear door sill trim (one retaining tab and four clips).

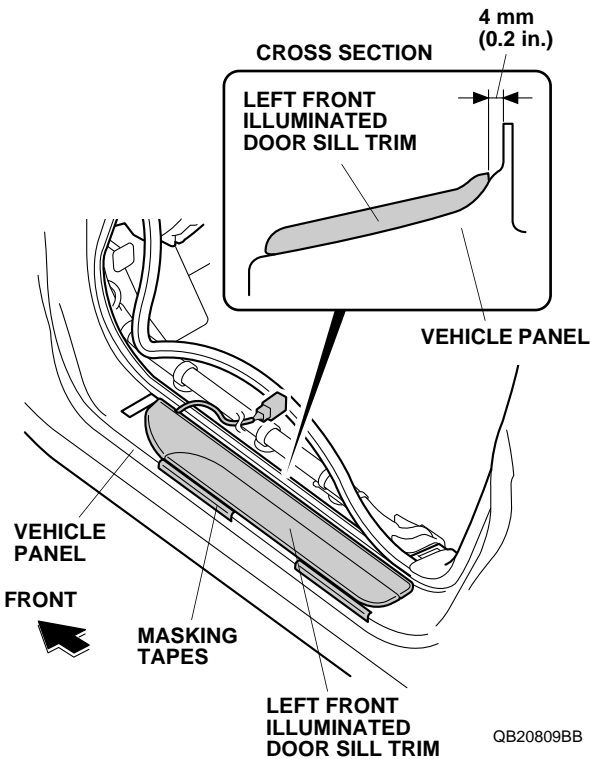


- Repeat step 12 to remove the right rear door sill trim.
- Pull away the door opening seal in the area shown.

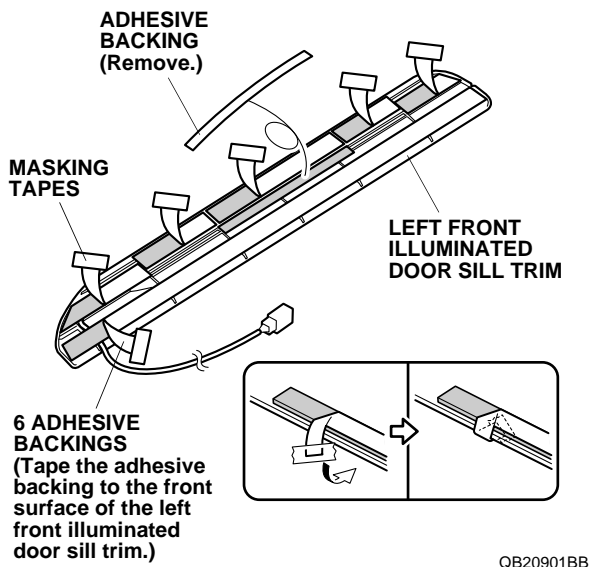


- Attach a piece of masking tape to the vehicle panel in the location shown.

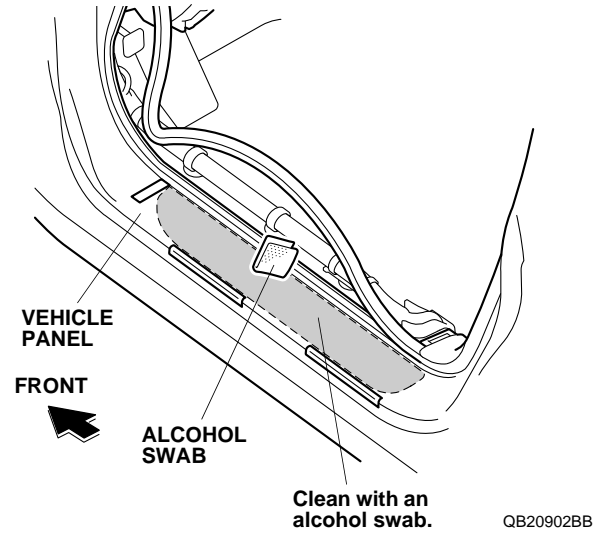
- Align the left front illuminated door sill trim with the masking tape attached in step 15, then attach another piece of masking tapes to the vehicle panel along the outside edge of the left front door sill trim. Do not tape down the left front illuminated door sill trim.



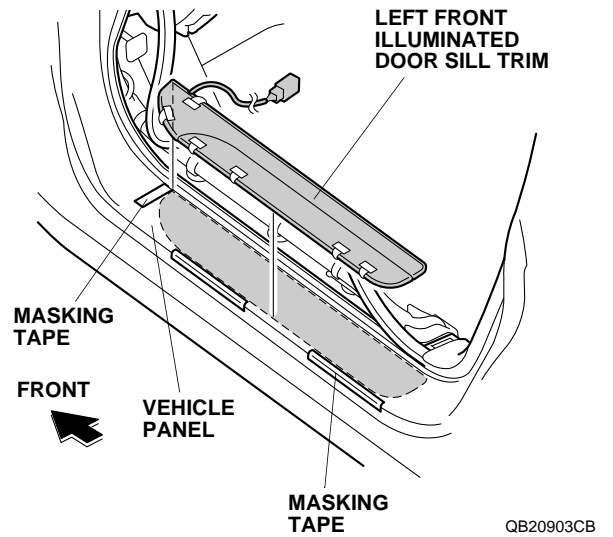
- Remove the left front illuminated door sill trim.
- Peel back the adhesive backings, and tape them to the front surface of the left front illuminated door sill trim with masking tape. Remove the other adhesive backing.



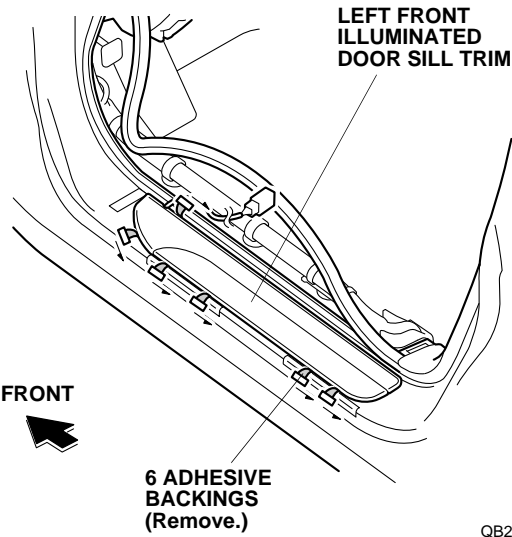
- Using one alcohol swab, thoroughly clean the vehicle panel where the left front illuminated door sill trim will attach.



- Align the left front illuminated door sill trim with the masking tape and install the left front door sill trim to the vehicle panel.

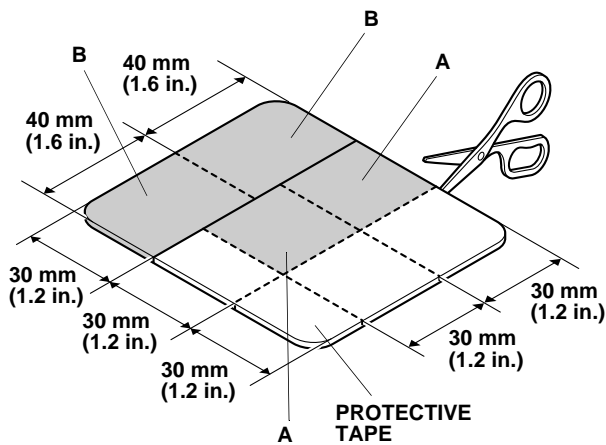


21. While applying light pressure against the left front illuminated door sill trim, carefully remove the adhesive backings.



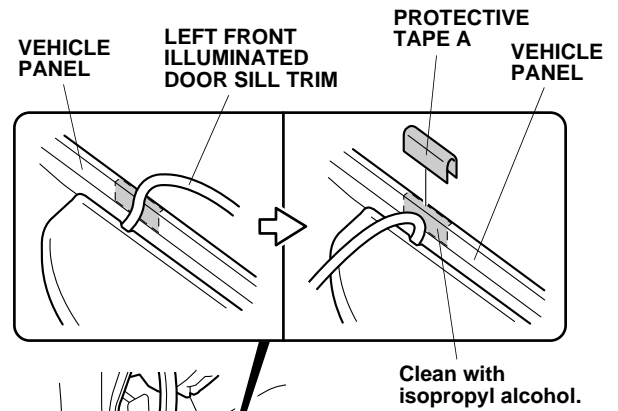
QB20904CB

22. Remove all of the masking tape.  
 23. Using scissors, cut the protective tape as shown.

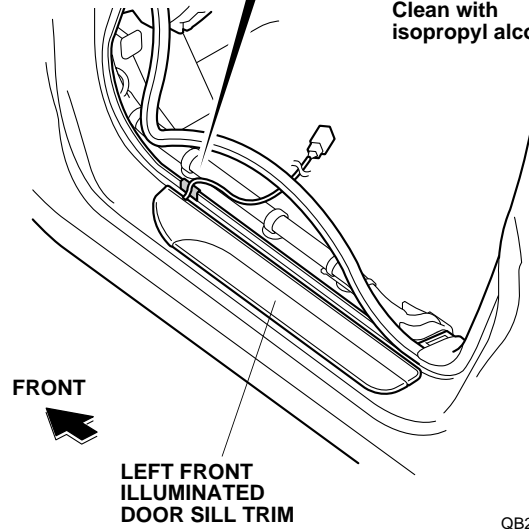


QB20905BB

24. Using isopropyl alcohol on a shop towel, thoroughly clean the vehicle panel where the protective tape will attach. Attach one piece of protective tape A to the vehicle panel as shown.

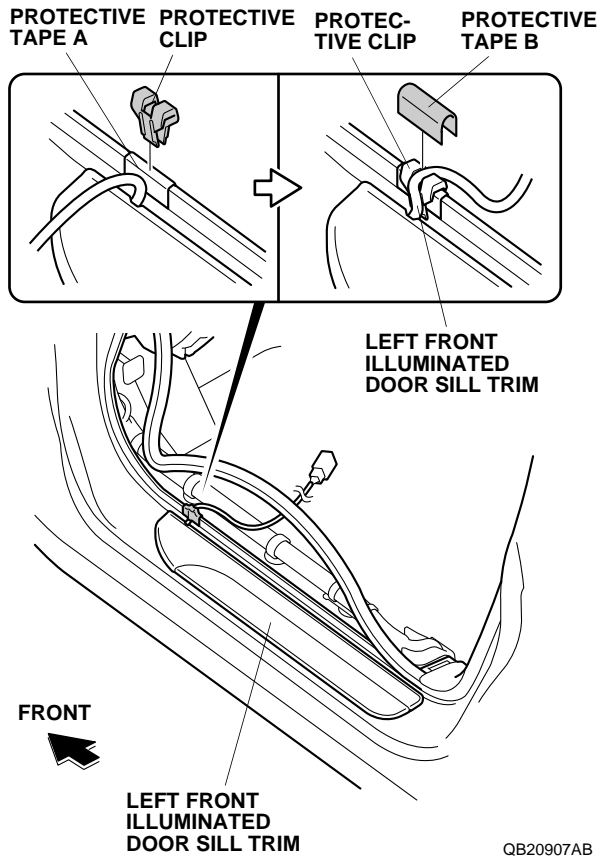


Clean with isopropyl alcohol.



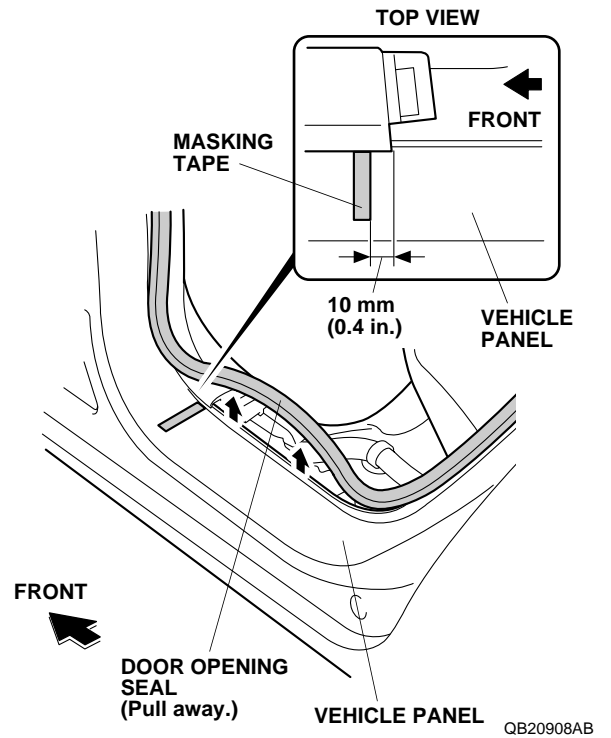
QB20906AB

25. Install the protective clip to the protective tape A on the vehicle panel.



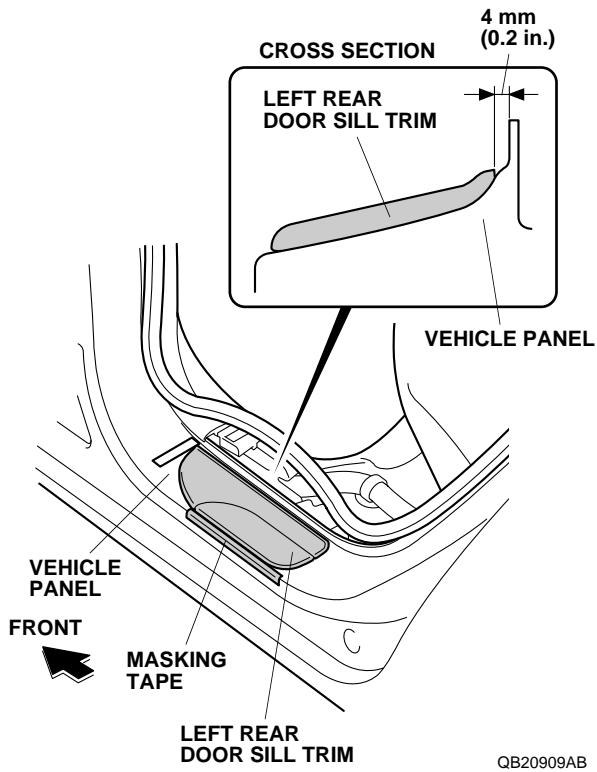
26. Align and route the left front illuminated door sill trim harness over the protective clip as shown.
27. Attach the one piece of protective tape B to the protective clip.
28. Repeat steps 14 through 27 to install the right front illuminated door sill trim on the right side of the vehicle.

29. Open the left rear door, and pull away the door opening seal.

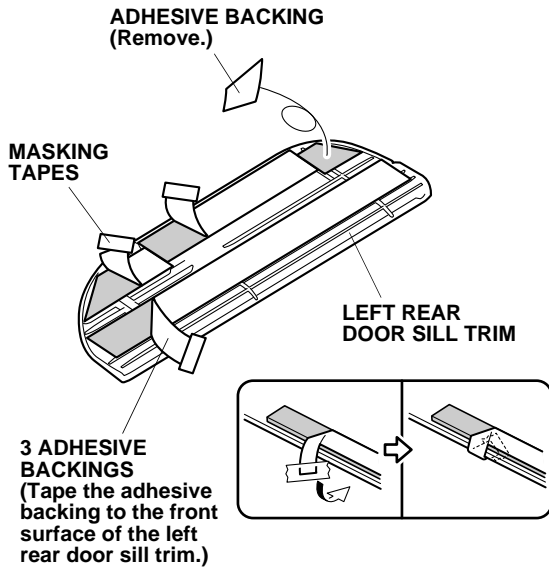


30. Attach a piece of masking tape to the vehicle panel in the location shown.

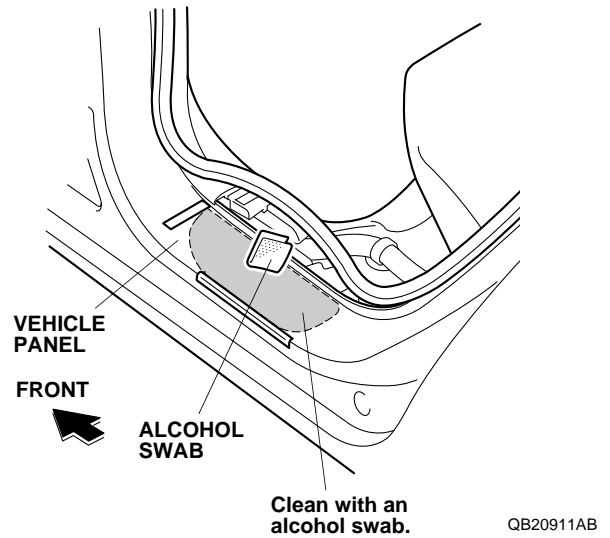
31. Align the left rear door sill trim with the masking tape attached in step 30, then attach another piece of masking tape to the vehicle panel along the outside of the left rear door sill trim. Do not tape down the left rear door sill trim.



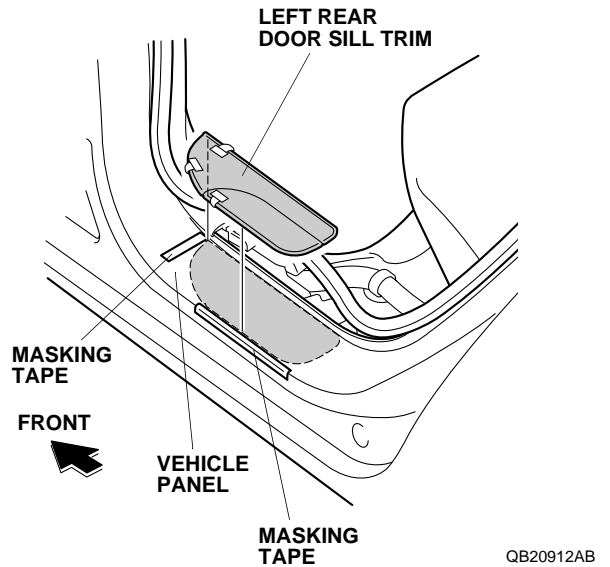
32. Remove the left rear door sill trim.  
33. Peel back the adhesive backings, and tape them to the front surface of the left rear door sill trim with masking tape. Remove the small piece of adhesive backing.



34. Using one alcohol swab, thoroughly clean the vehicle panel where the left rear door sill trim will attach.

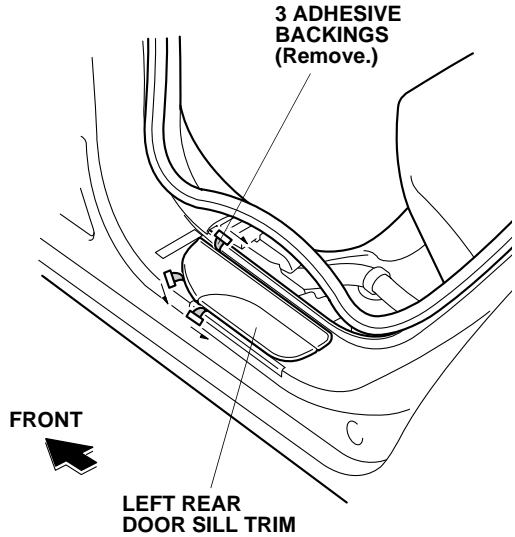


35. Align the left rear door sill trim with the masking tape and install the left rear door sill trim to the vehicle panel.



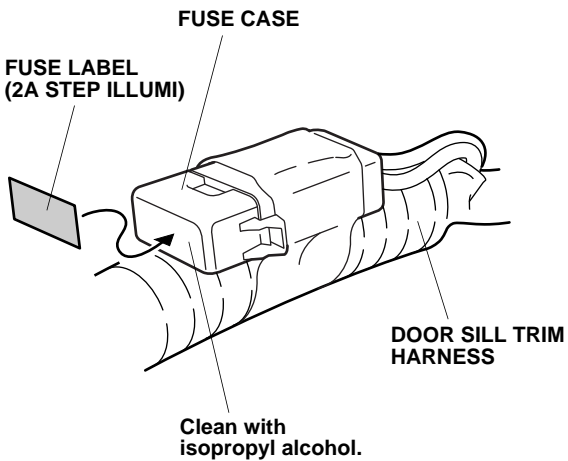


36. While applying light pressure against the left rear door sill trim, carefully remove the adhesive backings.



QB20913BB

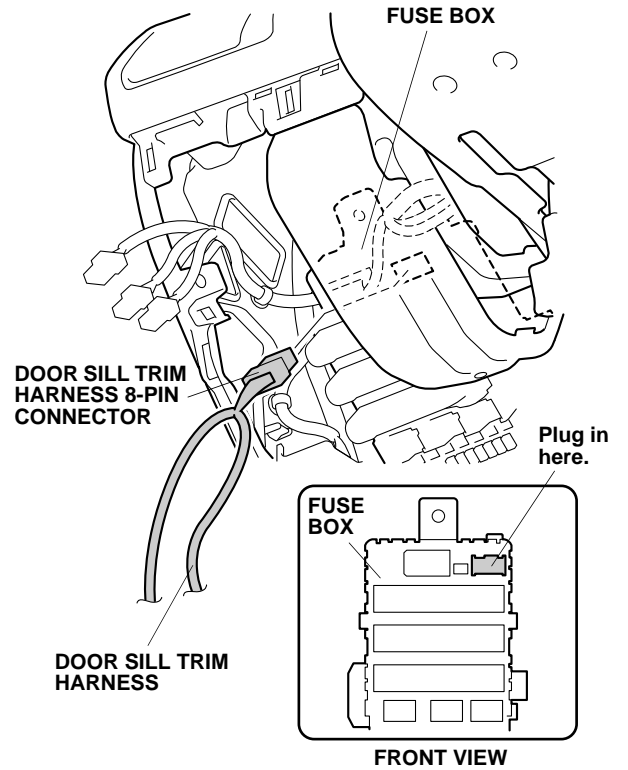
37. Remove all of the masking tape.
38. Repeat steps 29 through 37 to install the right rear door sill trim on the right of the vehicle.
39. Using isopropyl alcohol on a shop towel, thoroughly clean the fuse case where the fuse label will attach. Attach the fuse label (2A STEP ILLUMI) to the fuse case on the door sill trim harness.



6216030B

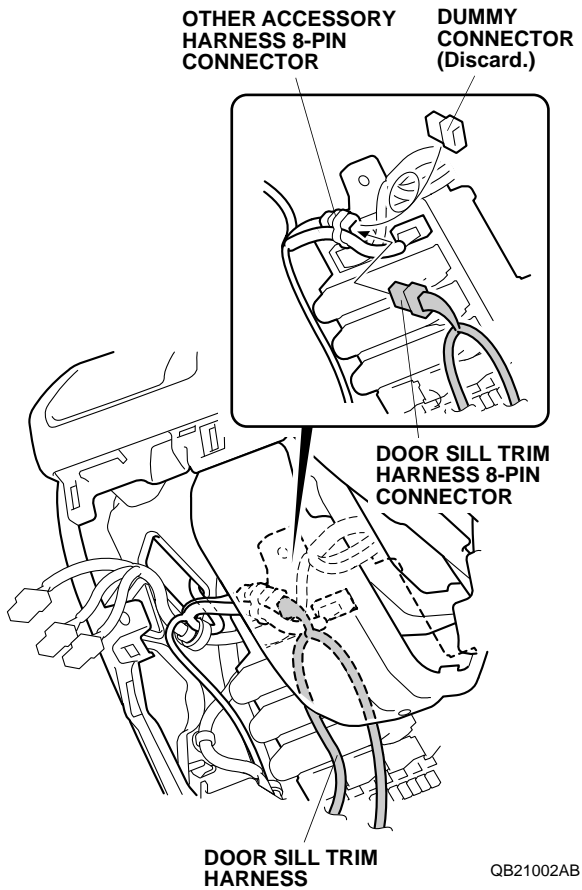
If the vehicle is equipped with another accessory 8-pin connector, go to step 41; otherwise, continue with step 40.

40. Plug the door sill trim harness 8-pin connector into the fuse box. Go to step 42.

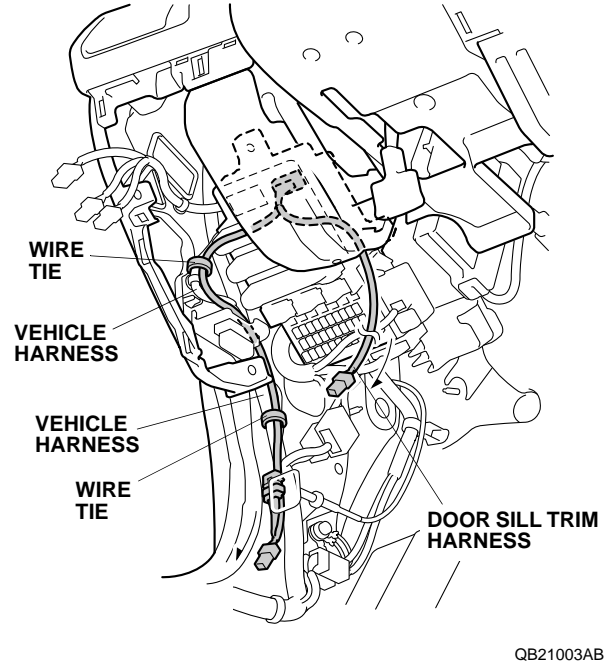


QB21001AB

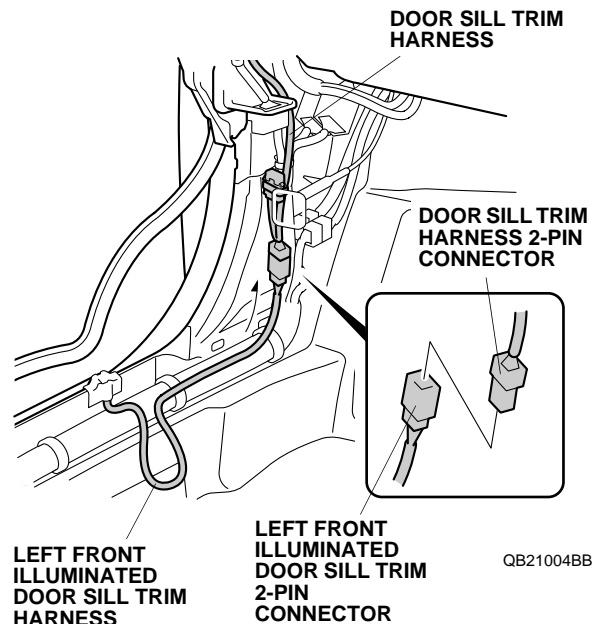
41. Remove and discard the dummy connector from the other accessory harness. Plug the door sill trim 8-pin connector into the other accessory harness 8-pin connector.



42. Route the door sill trim harness as shown, and secure the door sill trim harness to the vehicle harness with two wire ties.

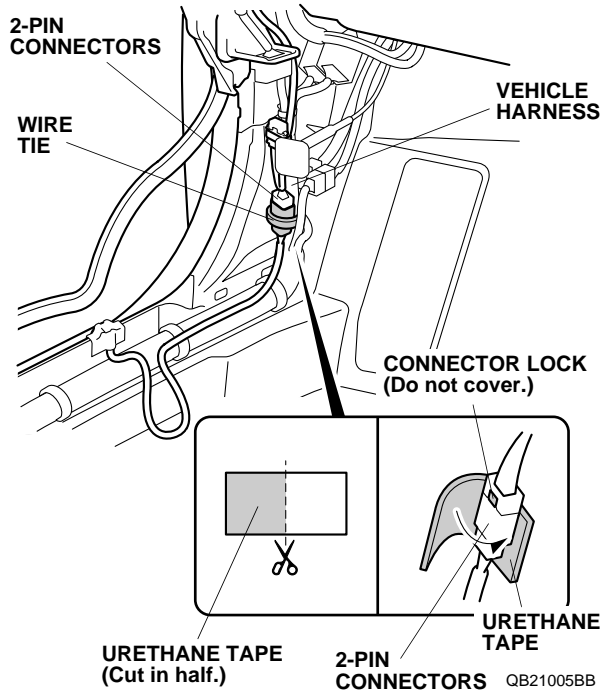


43. Route the left front illuminated door sill trim harness along the vehicle harness.

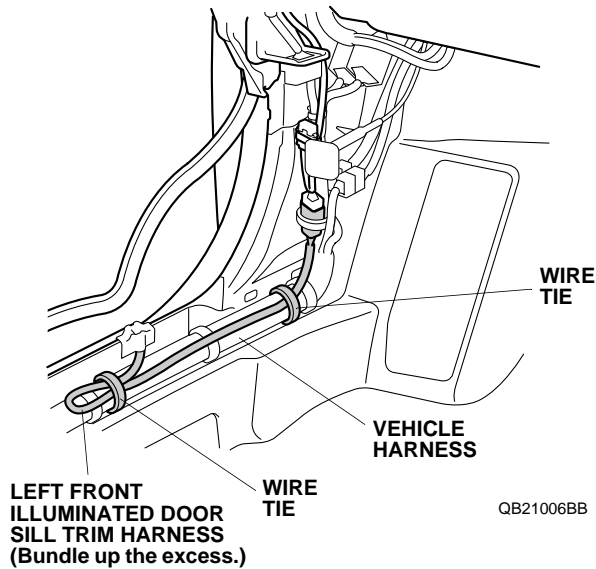


44. Plug the left front illuminated door sill trim harness 2-pin connector into the door sill trim harness 2-pin connector.

45. Using scissors, cut one urethane tape in half, and attach one piece of urethane tape around the 2-pin connectors.



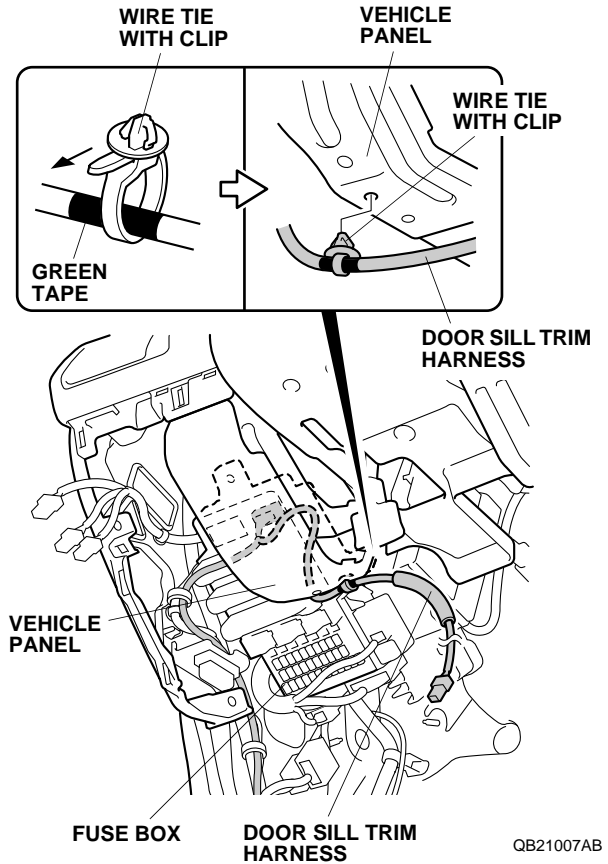
46. Secure the 2-pin connectors to the vehicle harness with one wire tie.
47. Bundle up the excess left front illuminated door sill trim harness, and secure it to the vehicle harness with one wire tie.



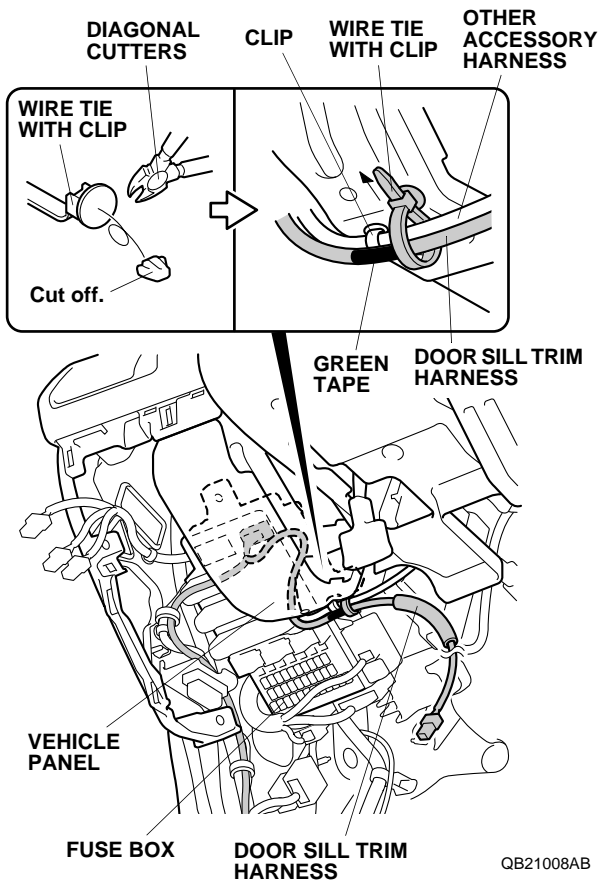
48. Secure the left front illuminated door sill trim harness to the vehicle harness with one wire tie.

If the vehicle is already equipped with another accessory harness, go to step 50; otherwise, continue with step 49.

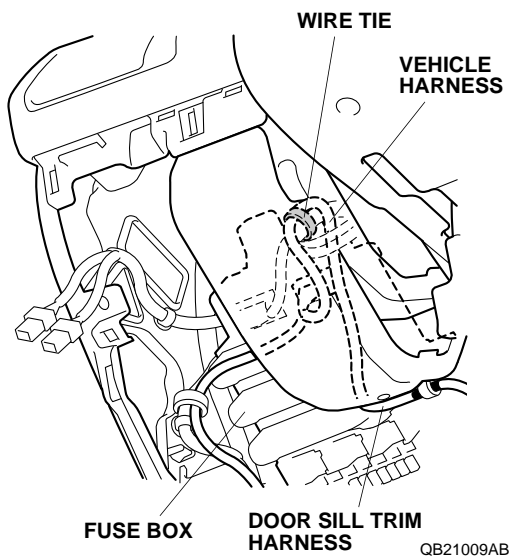
49. Attach one wire tie with clip around the green tape on the door sill trim harness, then secure the harness to the hole in the vehicle panel with the clip. Go to step 52.



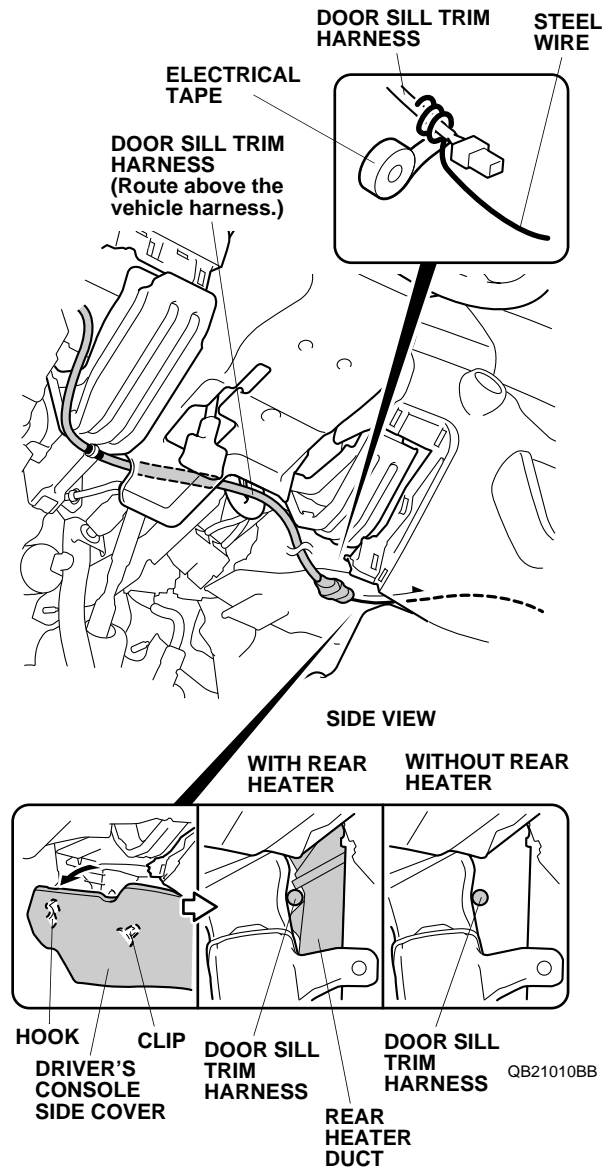
50. Using diagonal cutters, cut the clip portion off of one wire tie.



51. Attach the cut wire tie with clip around the green tape on the door sill trim harness, and secure the door sill trim harness to the other accessory harness with one wire tie with clip.
52. Secure the door sill trim harness to the vehicle harness with one additional wire tie.

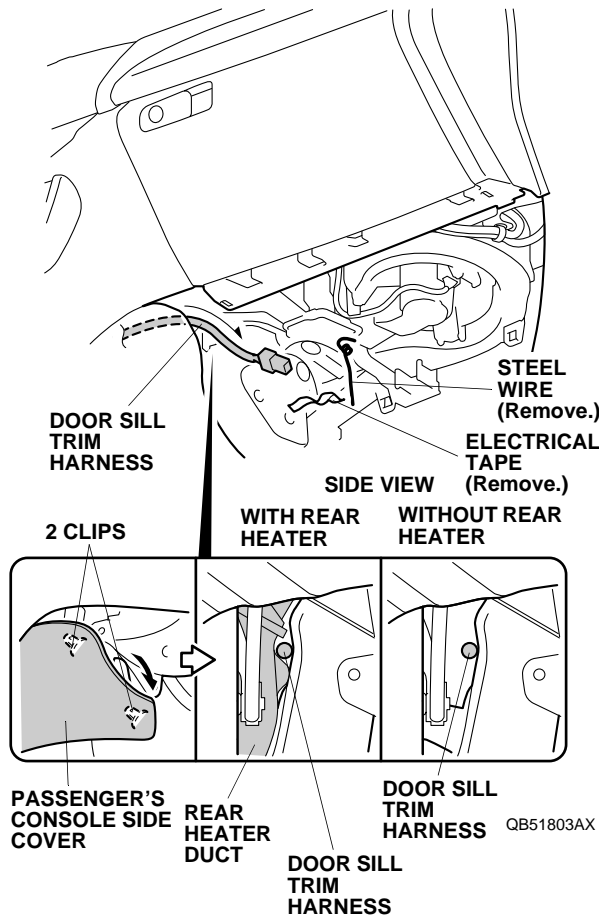


53. Release the driver's console side cover (one hook and one clip).  
NOTE: Do not damage the driver's console side cover.



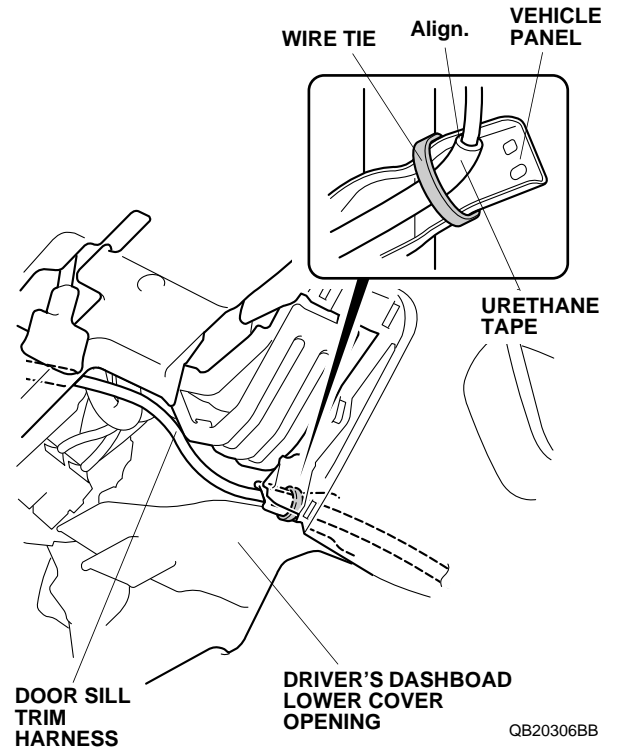
54. Attach a piece of steel wire to the door sill trim harness with electrical tape. Route the door sill trim harness through the center console from the driver's dashboard lower cover opening to the passenger's under cover opening.

55. Release the passenger's console side cover (two clips).  
 NOTE: Do not damage the passenger's console side cover.

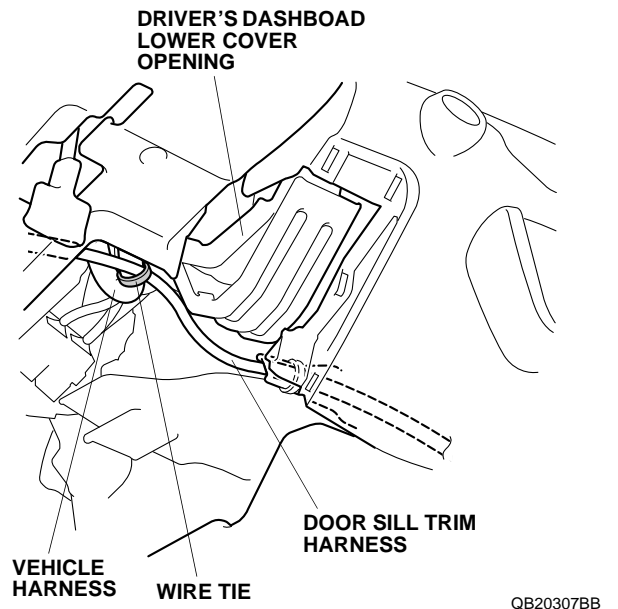


56. Route the door sill trim harness, and remove the electrical tape and steel wire.

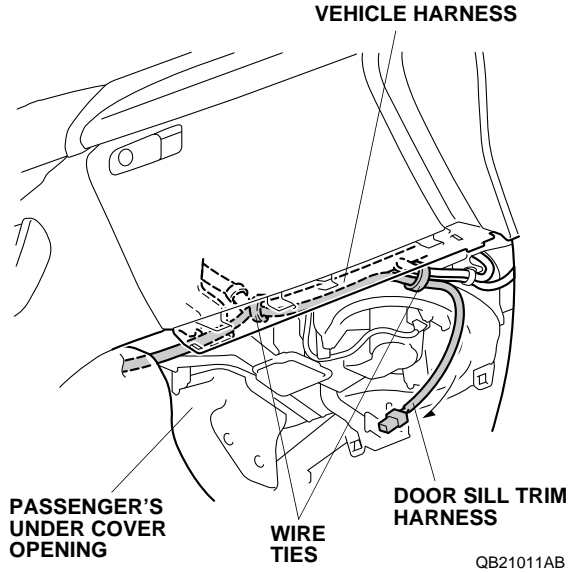
57. Align the edge of the urethane tape on the door sill trim harness with the vehicle panel, and secure the door sill trim harness to the vehicle panel with one wire tie.



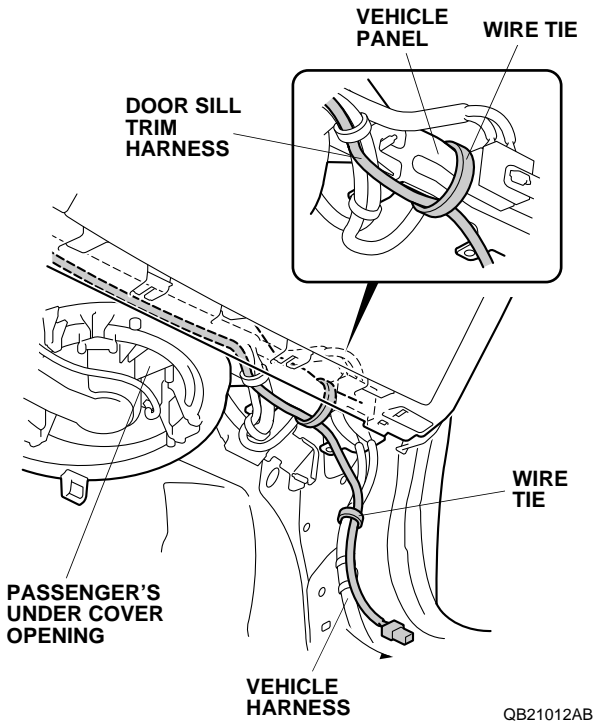
58. Secure the door sill trim harness to the vehicle harness with one wire tie. Move the steering wheel up and down through its full adjustment range and make sure the door sill trim harness is not being stretched.



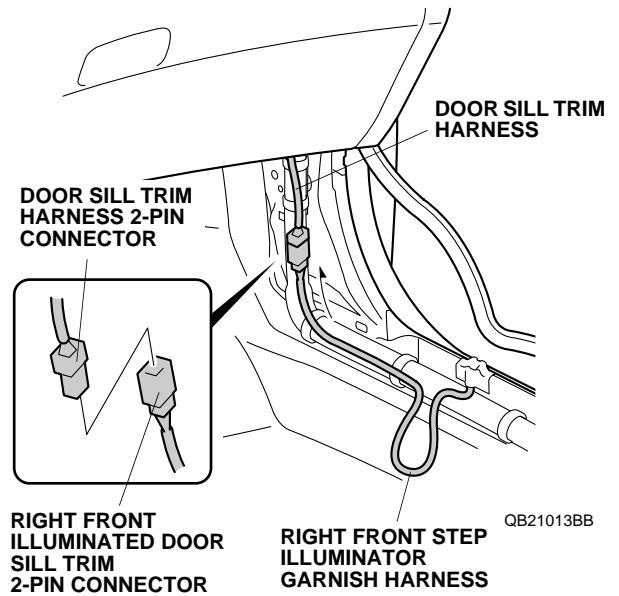
59. On the passenger's side of the vehicle, route the door sill trim harness and secure it to the vehicle harness with two wire ties.



60. Route the door sill trim harness and secure it to the vehicle panel and vehicle harness with two wire ties.

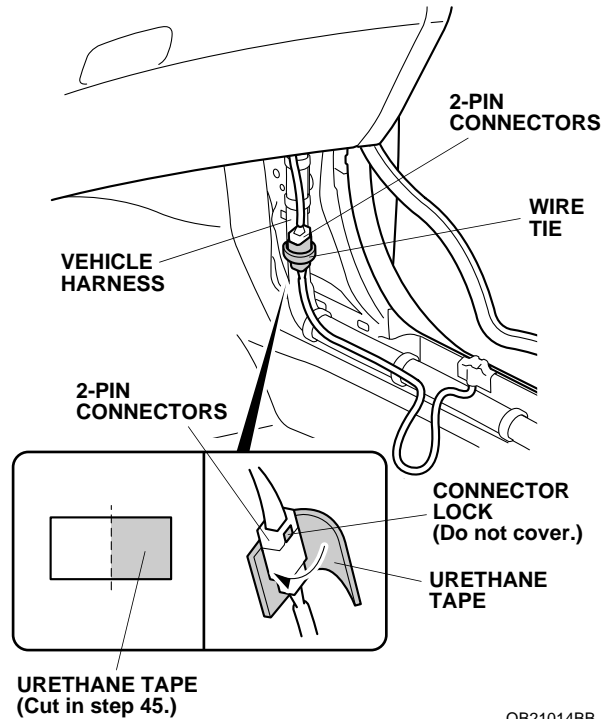


61. Route the right front illuminated door sill trim harness along the vehicle harness.



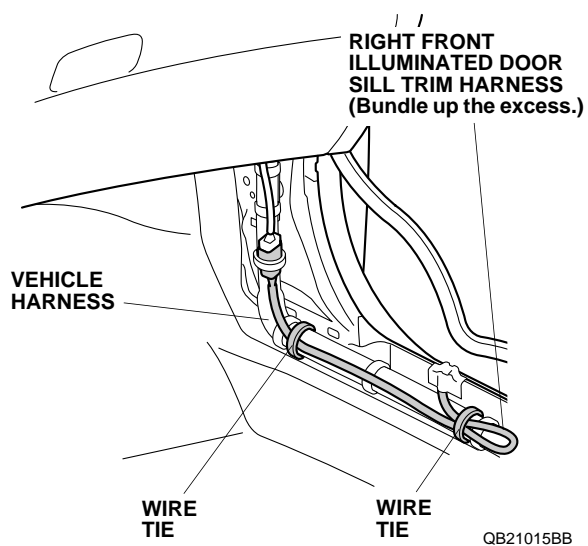
62. Plug the right front illuminated door sill trim harness 2-pin connector into the door sill trim harness 2-pin connector.

63. Attach one piece of urethane tape cut in step 45 around the 2-pin connectors.



64. Secure the 2-pin connectors to the vehicle harness with one wire tie.

65. Secure the right front illuminated door sill trim harness to the vehicle harness with one wire tie.



66. Bundle up the excess right front illuminated door sill trim harness, and secure it to the vehicle harness with one wire tie.
67. Check that all wire harnesses are routed properly and all connectors are plugged in.
68. Connect the negative cable to the battery and check the operation of all lights and electrical accessories.
69. Reset the clock and customer's radio station presets.
70. Reinstall all removed parts.
71. Make sure the light comes on when you open each door.