



# INSTALLATION INSTRUCTIONS

Accessory  
**SPLASH GUARDS**  
P/N 08P00-T3L-100

Application  
**2013 ACCORD**  
2-DOOR

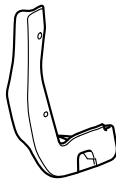
Publications No.  
**All 13022**  
Issue Date  
**OCT 2012**

## PARTS LIST

Left front splash guard



Right front splash guard



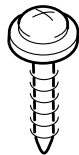
Left rear splash guard



Right rear splash guard



8 Washer-screws



2 Spring nuts



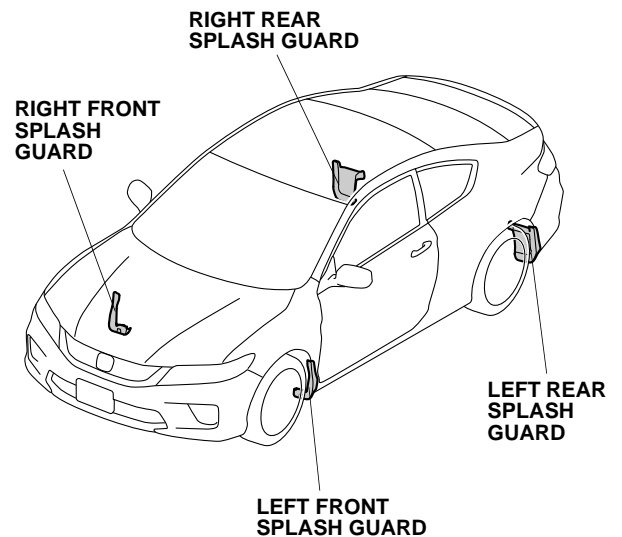
## TOOL AND SUPPLIES REQUIRED

- Phillips screwdriver
- Flat-tip screwdriver
- Pushpin
- Stubby Phillips screwdriver
- Utility knife
- Felt-tip pen
- Ruler

*The following tool is available through the Honda Tool and Equipment Program. On the iN, click on: Service > Service Bay > Tool and Equipment Program, then enter the number under "Search." Or, call 888-424-6857.*

- Trim Tool Set (T/N SOJATP2014)

### Illustration of the Splash Guards on the Vehicle



QB32101AY

## INSTALLATION

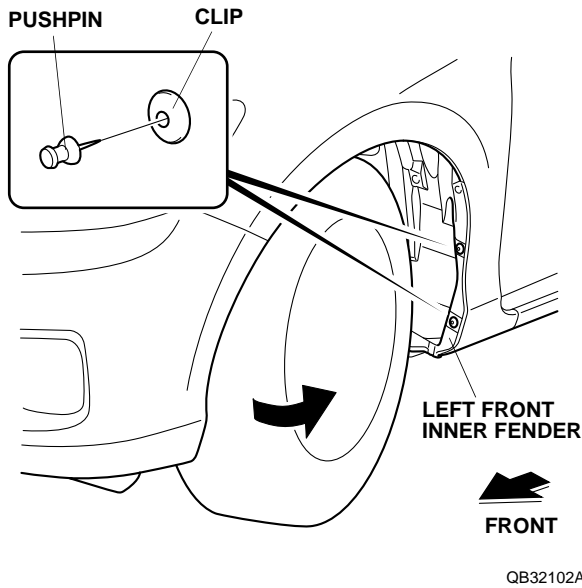
**Customer Information:** The information in this installation instruction is intended for use only by skilled technicians who have the proper tools, equipment, and training to correctly and safely add equipment to your vehicle. These procedures should not be attempted by "do-it-yourselfers."

### NOTE:

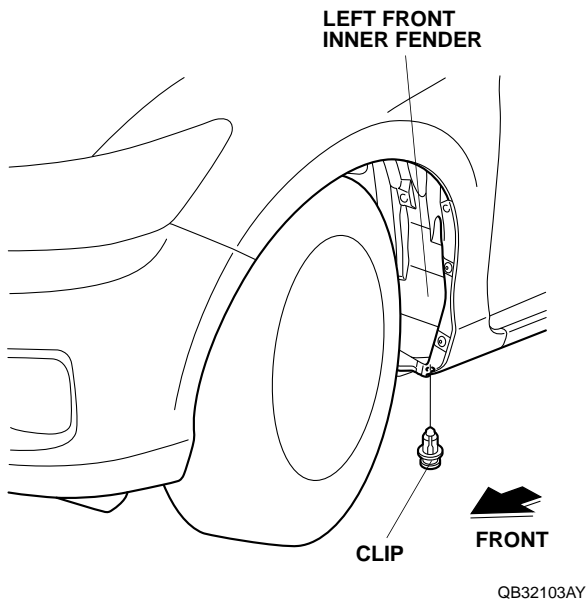
- Do not damage the paint finish.
- Clean and wax the areas to be covered with a high-quality paste wax.

## Installing the Front Splash Guards

1. Turn the steering wheel fully counterclockwise.

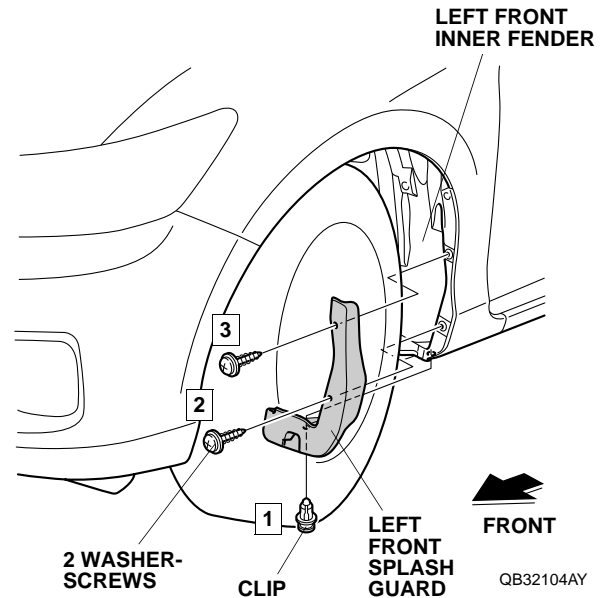


2. Using a pushpin, pierce the center of the two clips in the left front inner fender.
3. Remove the one clip from the left front inner fender.



**Note:** to remove the clip use a small flat blade screwdriver to pop the center section out slightly. This will allow the clip to slide out.

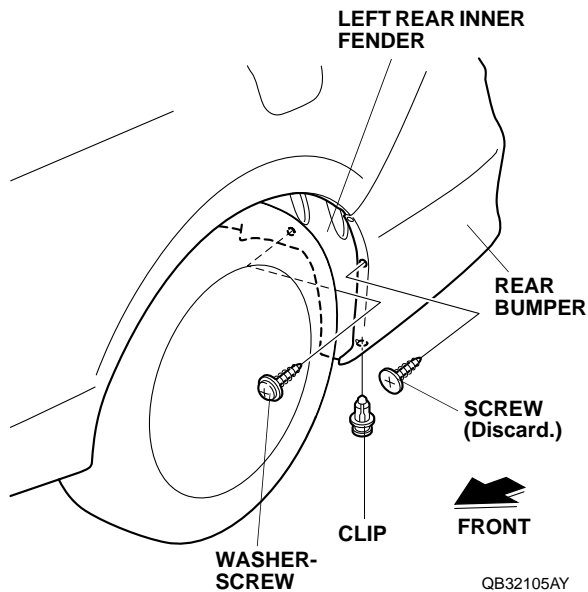
4. Install the left front splash guard to the left front inner fender with two washer-screws and the clip removed in step 3. Install them in this order **1** → **2** → **3**. Make sure there is no gap between the left front splash guard and the vehicle body. If there is a gap, loosen the two washer-screws, hold the splash guard against the body, and retighten the washer-screws.



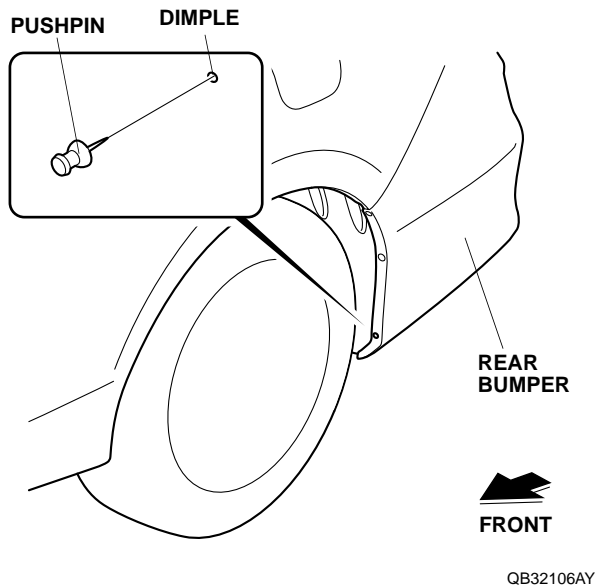
5. Turn the steering wheel fully clockwise, and repeat steps 2 through 4 to install the right front splash guard.

## Installing the Rear Splash Guards

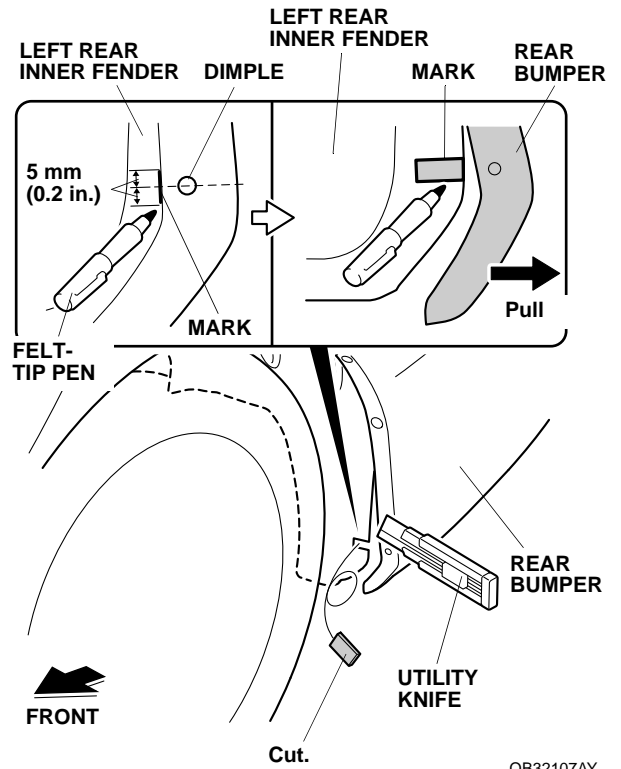
- Remove and discard one screw from the rear bumper.



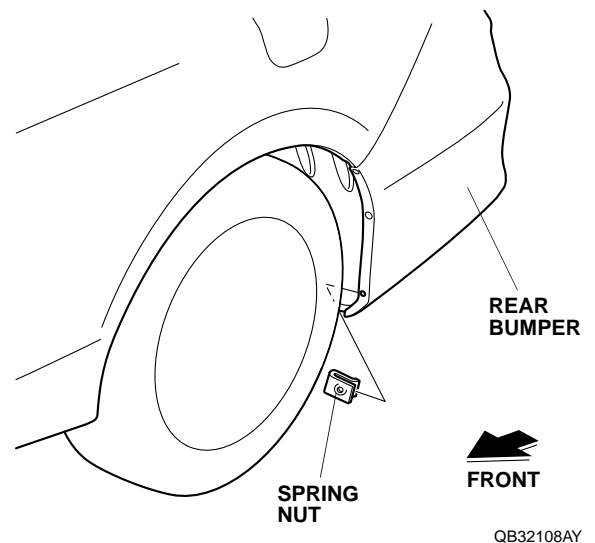
- Remove one washer-screw and one clip from the left rear inner fender and rear bumper.
- Using a pushpin, pierce the rear bumper at the dimple.



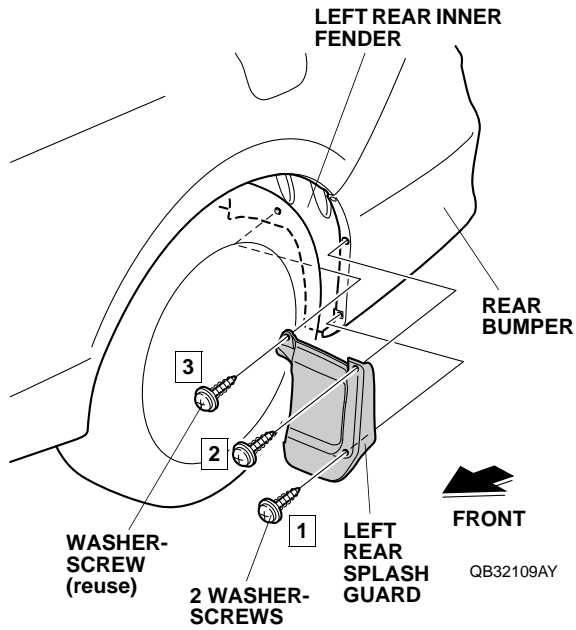
- Gently pull away the rear bumper in the area shown. Using a felt-tip pen, mark the left rear inner fender at the measurement shown.



- Use an utility knife, cut the left rear inner fender along the mark made in step 9.
- Reinstall the rear bumper back into its original position with one clip removed in step 7.
- Install a spring nut over the hole in the rear bumper. Install the spring nut in the direction shown.



13. Install the left rear splash guard to the rear bumper with two new washer-screws and the washer-screw removed in step 7. Install them in this order **1** → **2** → **3**. Make sure there is no gap between the left rear splash guard and the vehicle body. If there is a gap, loosen the washer-screws, hold the splash guard against the body, and retighten the washer-screws.



14. Repeat steps 6 through 13 to install the right rear splash guard.