


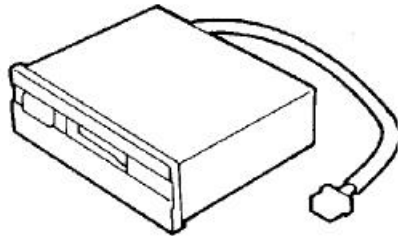
PUB No. Title
AI AII21604 2001 ACCORD LX CASSETTE PLAYER

Issued
08/25/00

 HONDA INSTALLATION INSTRUCTIONS	Accessory CASSETTE PLAYER P/N 08A03-5B1-050	Application 2001 ACCORD (LX) 2- AND 4-DOOR	Publications No. All 21604
			Issue Date AUG 2000

PARTS LIST

CD player



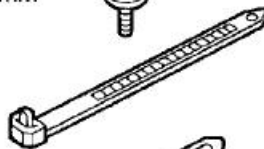
Owner's Manual



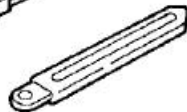
5 Washer-screws, 5 x 8 mm



Wire tie (not used)



Harness clip



TOOLS AND SUPPLIES REQUIRED

#2 Phillips screwdriver
Shop towel
Masking tape
Flat-tip screwdriver

INSTALLATION

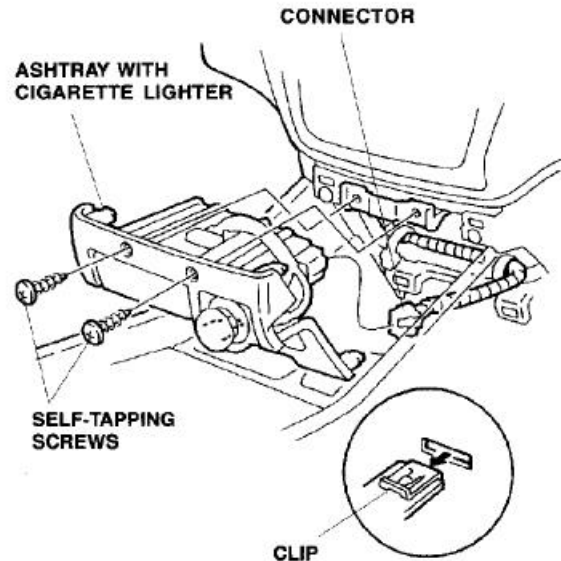
Customer Information: The information in this installation instruction is intended for use only by skilled technicians who have the proper tools, equipment, and training to correctly and safely add equipment to your car. These procedures should not be attempted by "do-it-yourselfers."

1. Make sure you have the anti-theft code for the radio, then write down the frequencies for the preset buttons.

2. Disconnect the negative cable from the battery.

If the vehicle you are working on is equipped with an optional ashtray with cigarette lighter, continue with step 3; if not, go to step 4.

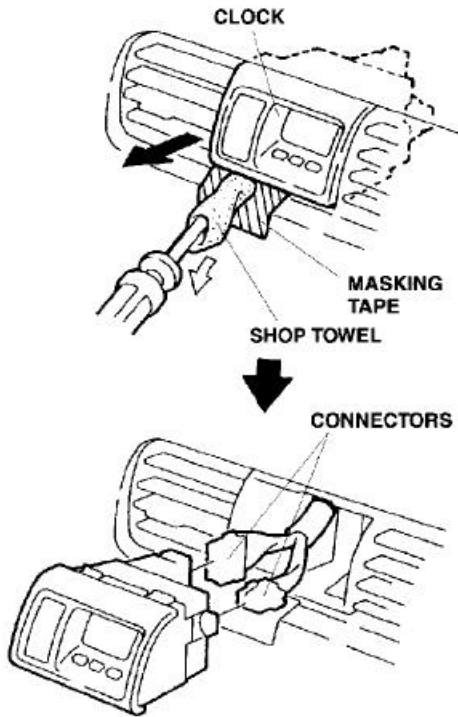
3. Remove the ashtray with cigarette lighter (two self-tapping screws, one connector and four retaining clips).



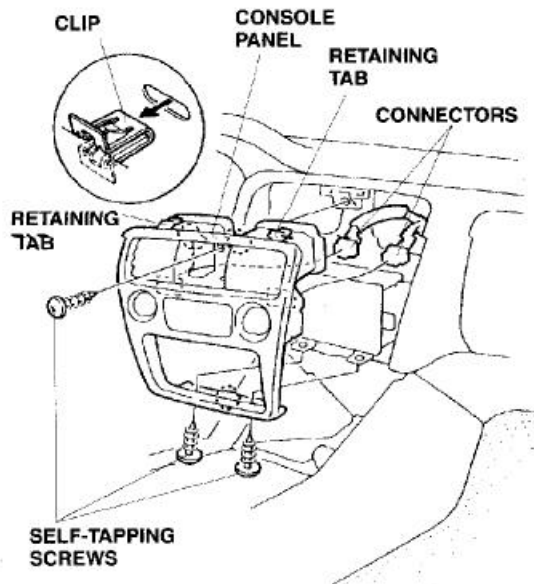
PUB No. Title
AI AII21604 2001 ACCORD LX CASSETTE PLAYER

Issued
08/25/00

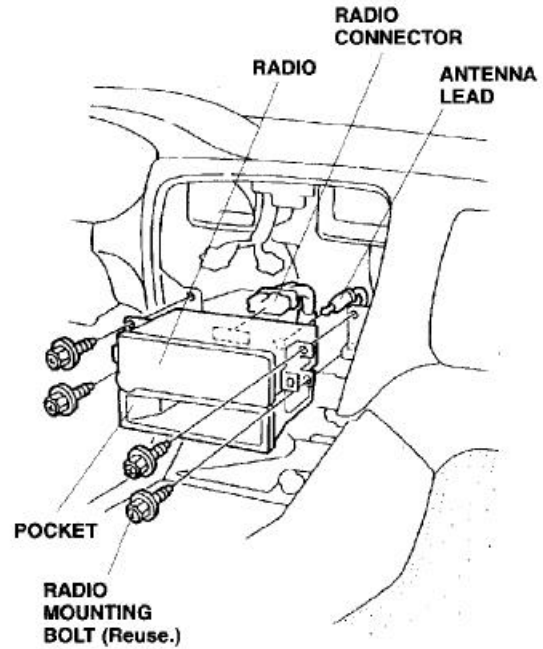
4. Attach a piece of masking tape onto the console panel below the clock.



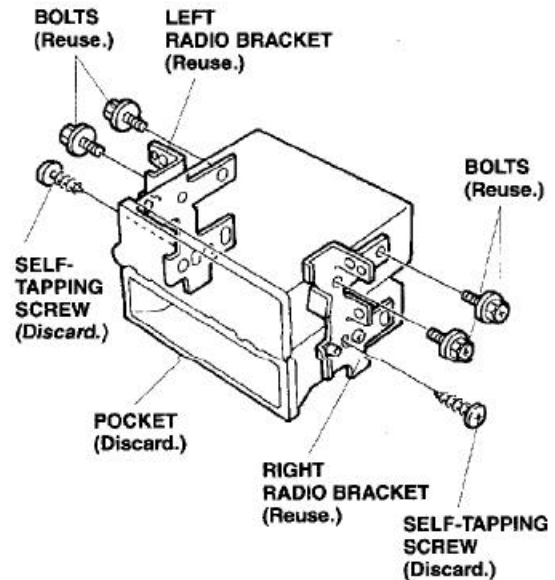
5. Using a flat-tip screwdriver wrapped with a shop towel, gently pry up on the clock to release the clips; then disconnect the connectors and remove the clock.
6. Remove the console panel (three self-tapping screws, five retaining clips, two retaining tabs, and two connectors).



7. Remove the radio/pocket assembly (four radio mounting bolts, and unplug the radio connector and the antenna lead).



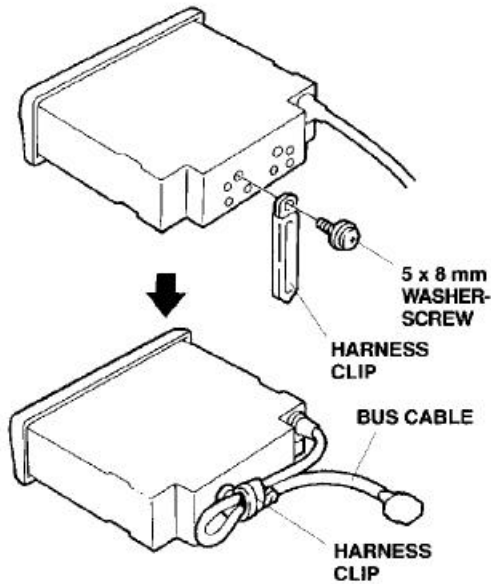
8. Remove the left and right radio brackets from the radio/pocket assembly (four bolts and two self-tapping screws). Discard the pocket and the two self-tapping screws.



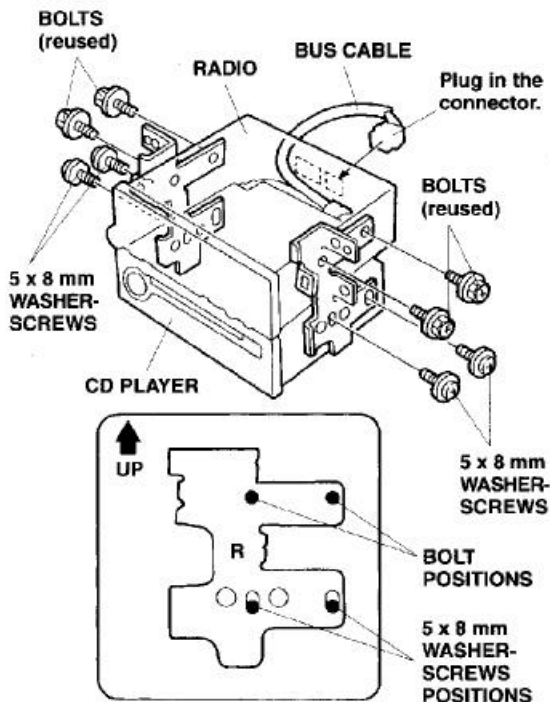
PUB No. Title
AI AII21604 2001 ACCORD LX CASSETTE PLAYER

Issued
08/25/00

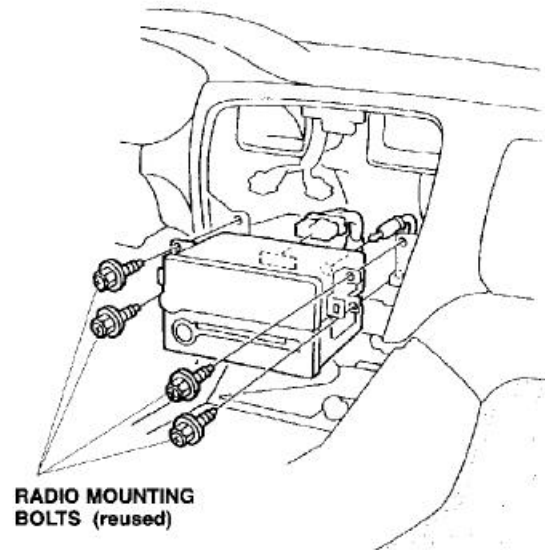
9. Attach the harness clip to the back of the radio with one 5 x 8 mm washer-screw.



10. Fold the bus cable in half, and secure it with the harness clip.
11. Position the radio on the CD player, then assemble the CD player and radio with the brackets and four bolts removed in step 8, and the four 5 x 8 mm washer-screws provided. Plug the bus cable connector into the back of the radio.



12. Install the radio/CD player with the four radio mounting bolts removed in step 7.



13. Reinstall all removed parts.
14. Check that all wire harnesses are routed properly and all connectors are plugged in.
15. Reconnect the negative cable to the battery.
16. Reset the radio station presets and the clock.
17. Check that the radio and the CD player operate properly as described in the respective owner's manuals.