 <b>HONDA</b> <b>INSTALLATION</b> <b>INSTRUCTIONS</b>	Accessory	Application	Publications No.
	<b>BODY SIDE MOLDING</b>	<b>2000 ACCORD</b> <b>2-DOOR</b>	<b>All 20522</b>
			Issue Date <b>JULY 1999</b>

## PARTS LIST

Right door body side molding



Right quarter panel body side molding



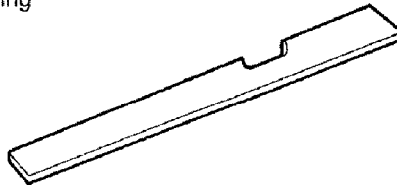
Left door body side molding



Left quarter panel body side molding



Template



## TOOLS AND SUPPLIES REQUIRED

Metric tape measure

Clean, lint-free wiping cloths

50/50 Water/isopropyl alcohol mix

Masking tape

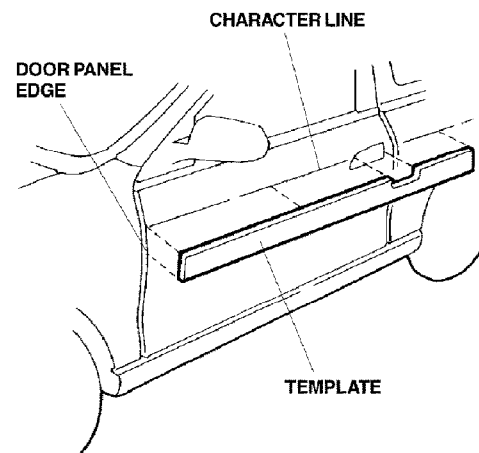
## INSTALLATION

### NOTE:

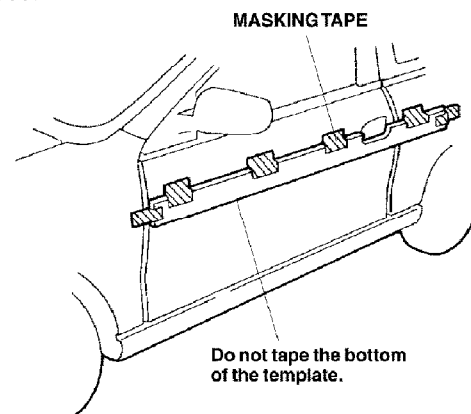
- This body side molding kit should be installed only when the ambient air temperature is 60°F (15°C) or above.
- If the vehicle has been repainted, let the paint cure for at least 24 hours before you install the molding.
- Do not remove the protective tape from the molding until you're ready to stick that molding in place.
- Do not install any molding that shows contaminated or damaged adhesive.
- Do not touch the body where the molding goes. If you do, rewash that area as described under "Preparing the Molding Areas."
- To allow the adhesive to cure, do not wash the vehicle for 24 hours.

## Installing the Template

1. Position the template onto the left door, aligning the template upper edge with the door panel character line and the bottom of the door handle. Align the template vertical edge with the door panel edge.



2. Tape the top and sides of the template to the door.

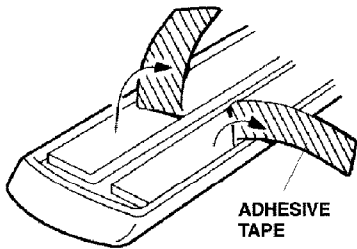


## Preparing the Molding Areas

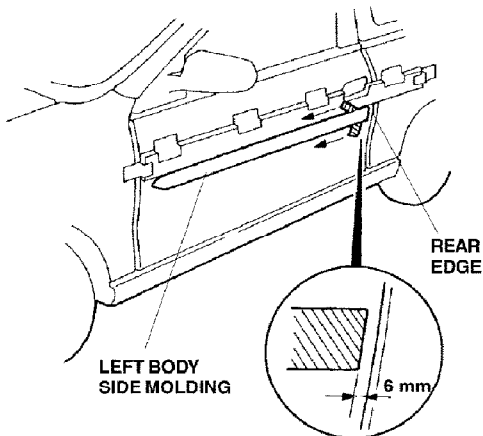
3. Before installing each molding piece, clean the molding area on the body with a lint-free cloth dipped in a 50/50 mixture of water and isopropyl alcohol. Keep checking the cloth; when it looks dirty, turn it over or replace it with a clean one. Then, just before installing the molding piece, wipe the area with a dry lint-free cloth.

## Installing the Moldings

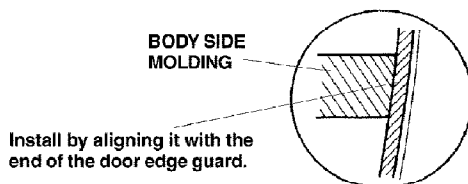
4. Before removing the adhesive tape from the back of the molding, trial-fit the molding so you become familiar with the correct location of the molding piece. Hold the molding piece against the body, and align its upper edge with the lower edge of the template.
5. Peel back about an inch and a half of each tape strip from the rear edge, and fold it diagonally toward the outside.



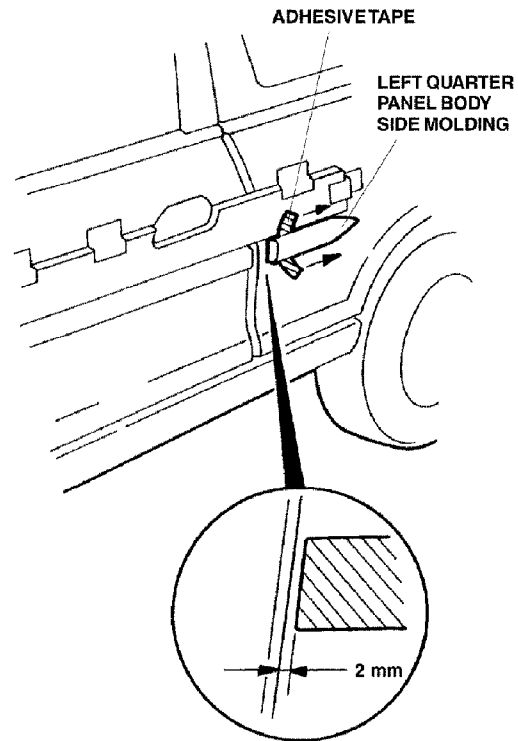
6. Attach the rear edge of the molding 6 mm back from the edge of the door. Continue holding the molding in alignment, and carefully pull out about 6 inches of tape from under each side; then press the molding into place. Repeat as necessary, 6 inches at a time, until the entire length of molding is attached. Do not "stretch" the molding by stroking or smoothing it into place; instead roll or "walk" your hand or fingers against it from back to front.



### Door Edge Molding Equipped Model:



7. Install the left quarter panel body side molding as described in steps 3 through 6, except that the molding starts 2 mm back from the edge of the door.



8. Remove the template.
9. Repeat steps 1 through 8 to install the door moldings on the right (passenger's) side of the vehicle.

NOTE: After the body side molding is installed, tell your customer not to wash the vehicle for 24 hours to give the adhesive time to cure.