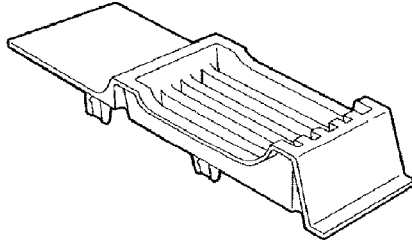


H HONDA INSTALLATION INSTRUCTIONS	Accessory	Application	Publications No.
	CD HOLDER P/N 08U04-S82-100	2000 ACCORD 2- AND 4-DOOR	All 20500
			Issue Date
			JULY 1999

PARTS LIST

CD Holder

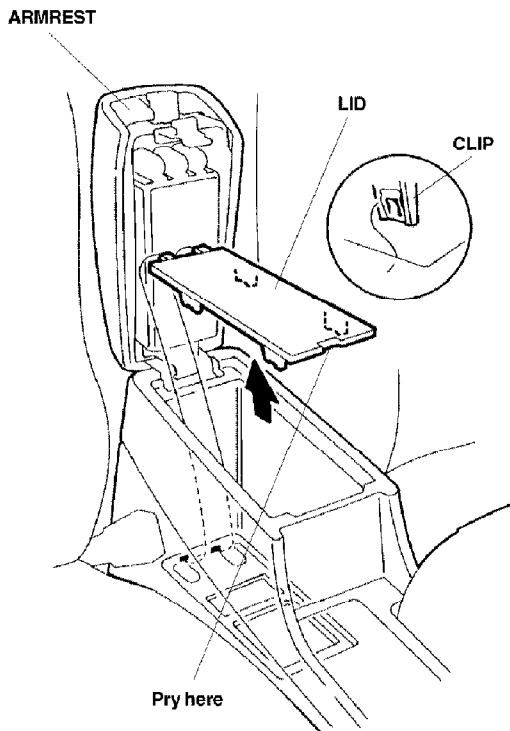


TOOLS REQUIRED

Flat-tip screwdriver

INSTALLATION

1. Open the armrest, then remove the lid by inserting the flat-tip screwdriver under to it pry it out.



2. Install the CD holder, and close the armrest.

