

H HONDA INSTALLATION INSTRUCTIONS	Accessory	Application	Publications No.
	HOOD MOLDING CHROME: P/N 08F21-S84-100 GOLD: P/N 08F21-S84-100G	2000 ACCORD 4-DOOR	All 20543 Issue Date JULY 1999

PARTS LIST

Hood molding



2 Clips



SUPPLIES REQUIRED

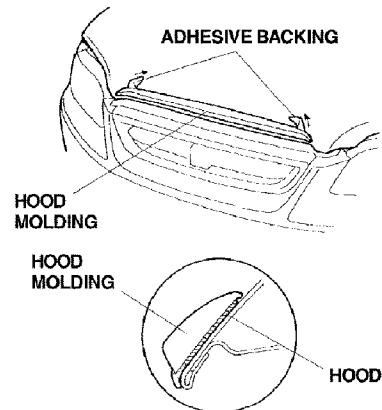
Contact cleaner
Shop towel
Utility knife

INSTALLATION

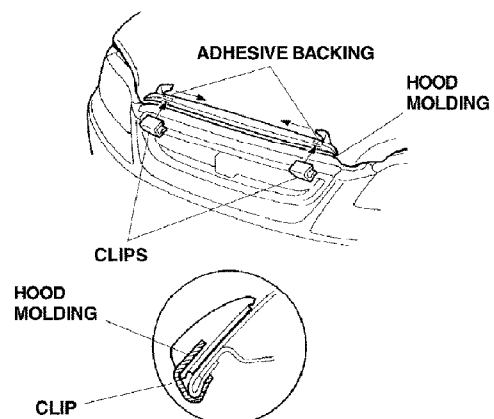
NOTE:

- Be careful not to damage the body finish while installing the hood molding.
 - The hood molding should be installed only when the ambient air temperature is 60°F (15°C) or above.
 - To allow the adhesive to cure, do not wash the vehicle for 24 hours.
1. Open the hood. Using contact cleaner on a shop towel, thoroughly clean the front edge of the hood where the hood molding will be installed.

2. Peel one inch of the adhesive backing from each end of the hood molding, and fold it back.



3. Center the hood molding on the hood, and temporarily install it by attaching both peeled ends to the hood. Don't remove the remaining portion of the adhesive backing at this time.
4. Attach the molding to the hood with the two clips. Insert the straight ends of the clips into the two slits in the molding and the curved ends onto the underside of the hood. If necessary, use a utility knife to trim the sealant where the clips will attach.



5. While holding light pressure against the molding, slowly and carefully remove the adhesive backing you peeled back in step 2.
6. Using the palm of your hand, firmly push the molding against the hood in several places.