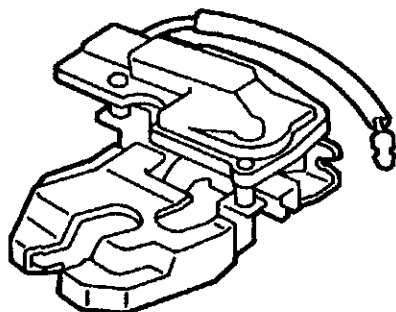


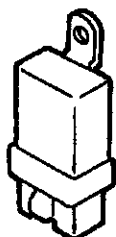
H HONDA INSTALLATION INSTRUCTIONS	Accessory	Application	Publications No.
	TRUNK OPENER P/N 08E49-S84-100H	2001 ACCORD 4-DOOR (INCLUDES V6)	All 21671 Issue Date AUG 2000

PARTS LIST

Trunk lock



4-Pin relay



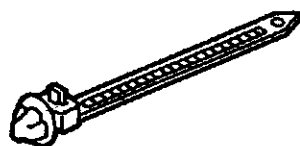
Washer-bolt



Flange nut



Wire tie with clip



Wire tie

**TOOLS AND SUPPLIES REQUIRED**

10 mm Socket

Ratchet

Flat-tip screwdriver

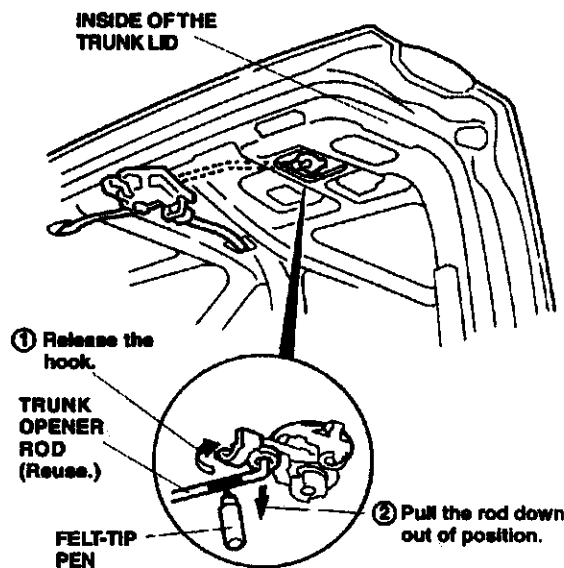
Felt-tip pen

INSTALLATION

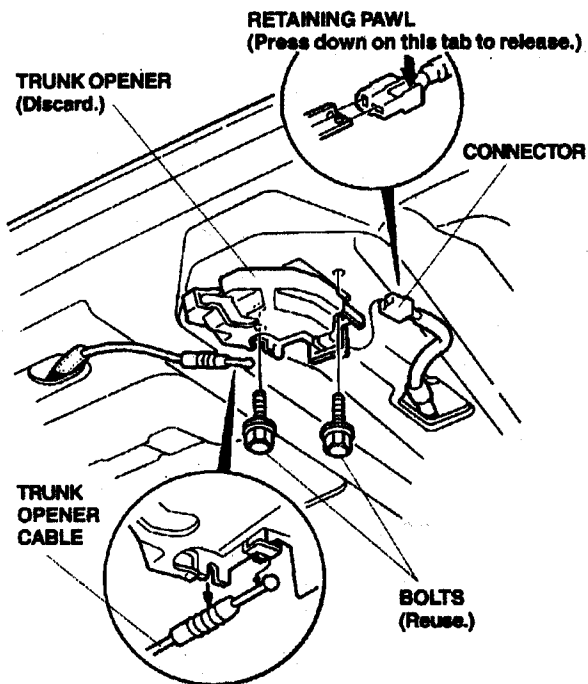
Customer Information: The information in this installation instruction is intended for the use only by skilled technicians who have the proper tools, equipment, and training to correctly and safely add equipment to your car. These procedures should not be attempted by "do-it-yourselfers."

NOTE: The trunk opener kit is designed to be used exclusively with a vehicle equipped with a security system or keyless entry.

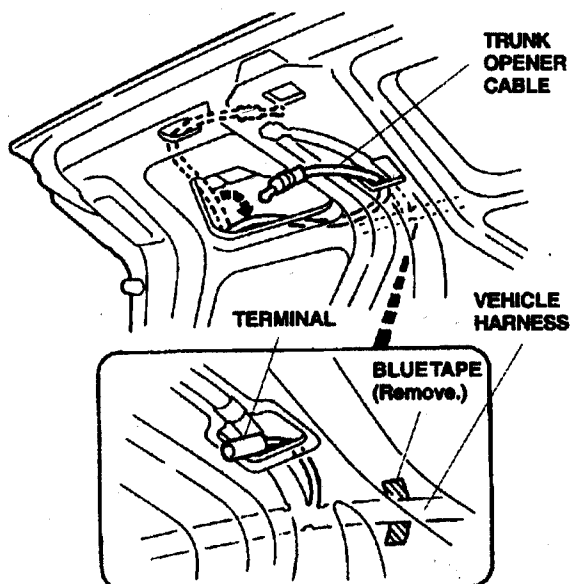
1. Make sure you have the anti-theft code for the radio, then write down the frequencies for the preset buttons.
2. Disconnect the negative cable from the battery.
3. Open the trunk lid, mark the trunk opener rod with a felt-tip pen in the area shown, and then remove the rod from the key cylinder.



4. Remove the two bolts fastening the trunk opener, then pull the lock toward you. Disconnect the trunk opener cable, unplug the connector from the opener, and remove the connector along with the opener rod. Retain the opener rod for reinstallation.

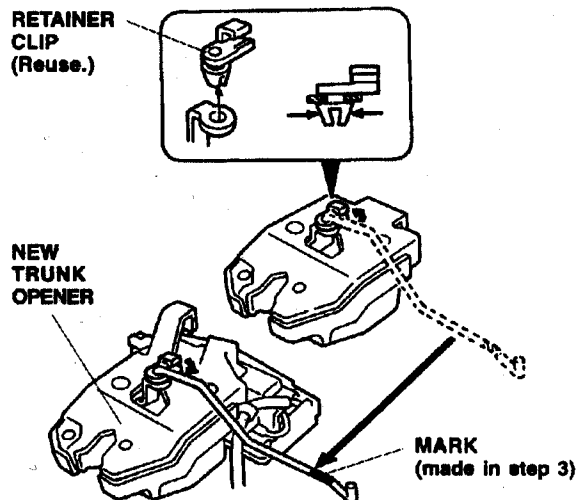


5. Inside the trunk lid, locate the terminal blue-taped to the vehicle harness. Remove the blue tape to free the terminal. Pull the terminal out through the square hole in the inner panel.

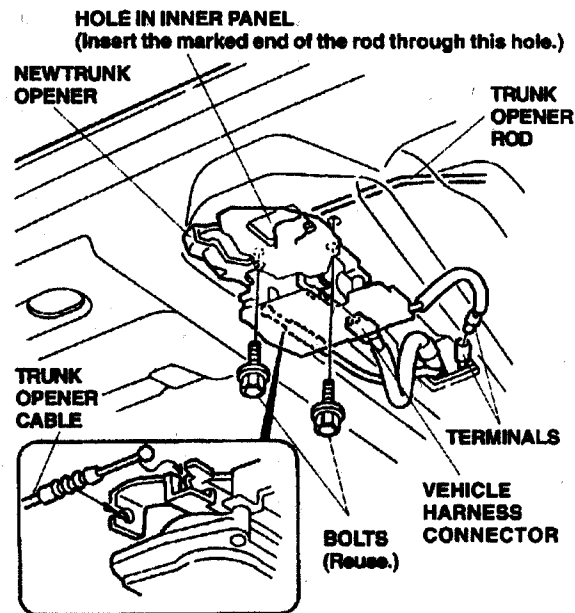


6. Reroute the trunk opener cable through the square hole in the inner panel.

7. Remove the retainer clip from the old trunk lock, and install the retainer clip on the new trunk lock.

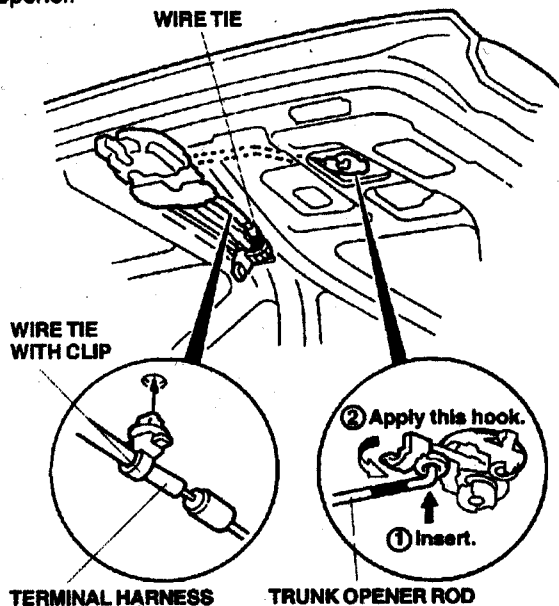


8. Disconnect the trunk opener rod from the old trunk opener, and reconnect it to the new trunk opener from the kit. Connect the unmarked end of the rod to the new trunk opener.
9. Insert the marked end of the trunk opener rod into the trunk lid through the hole in the inner panel.

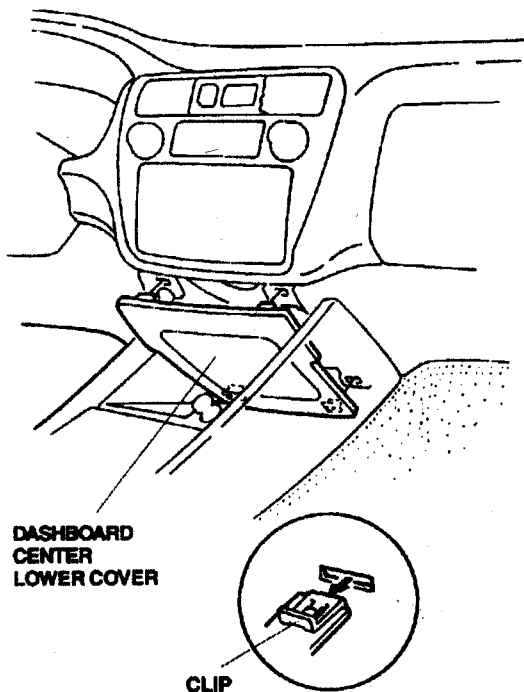


10. Connect the terminal and connector pulled out through the square hole in the inner panel (steps 4 and 5) to the new trunk opener.
11. Connect the trunk opener cable to the new trunk opener, and install the lock using the two bolts retained in step 4.

12. Reconnect the trunk opener rod to the trunk opener.

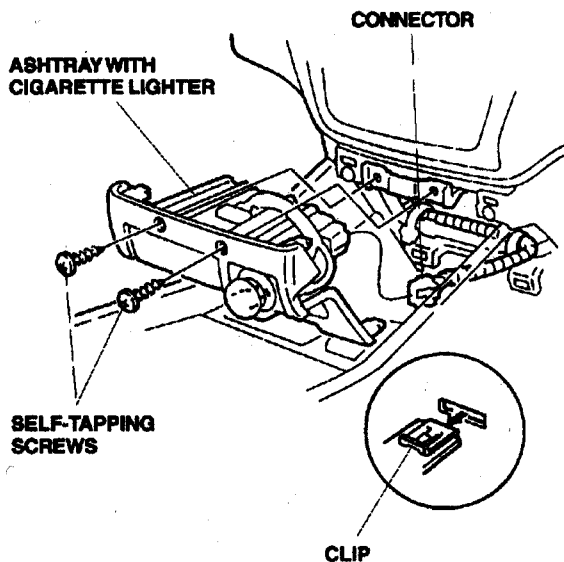


13. Attach the wire tie with clip to the terminal harness, and push the clip into the panel hole.
14. Secure the trunk opener cable and terminal harness with one wire tie at the square hole in the inner panel.
15. Inside the passenger's compartment, remove the dashboard center lower cover (four retaining clips).

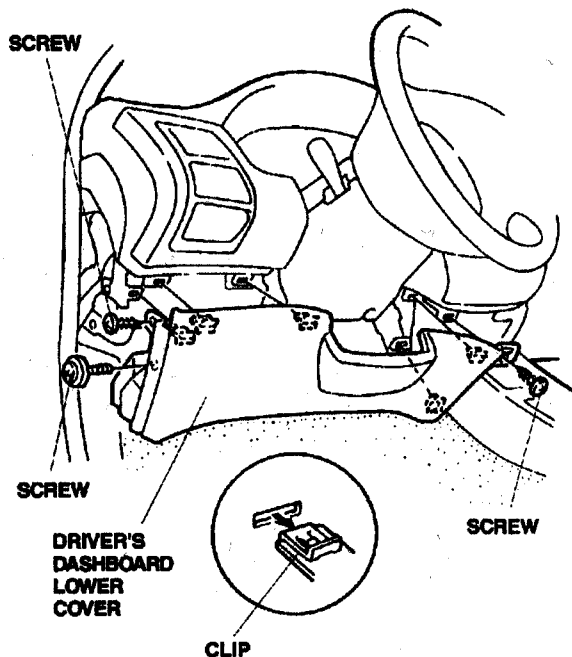


If the vehicle you're working on is equipped with an optional ashtray with cigarette lighter, continue with step 16, if not, go to step 17.

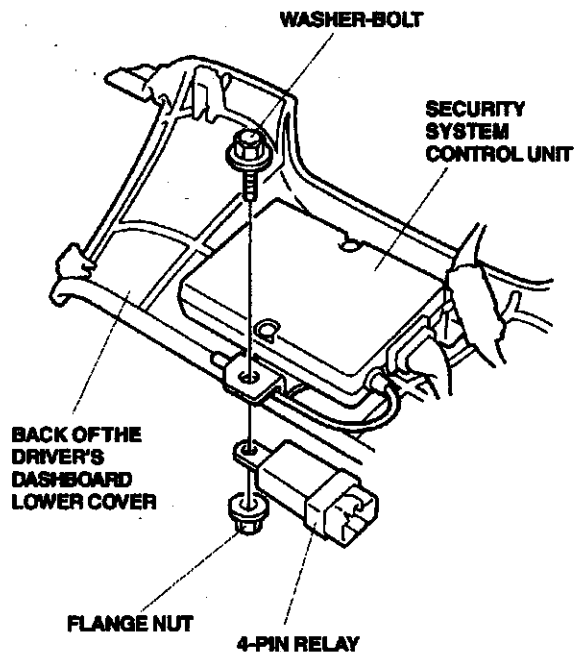
16. Remove the ashtray with cigarette lighter, (two self-tapping screws, one connector, and four retaining clips).



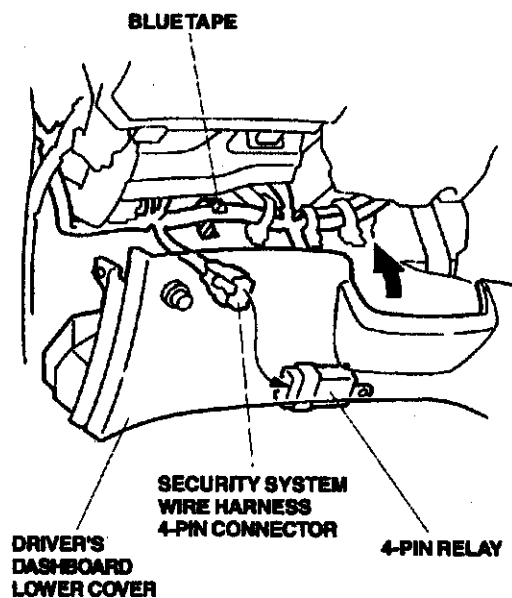
17. Remove the driver's dashboard lower cover (three screws, and five retaining clips).



18. Position the 4-pin relay on the bracket of the security system control unit mounted on the inside of the driver's dashboard lower cover, and install the washer-bolt and flange nut.



19. Locate the 4-pin connector blue-taped to the security system wire harness. Remove the blue tape to free the connector. Plug the 4-pin connector you just freed into the 4-pin relay; then reinstall the driver's dashboard lower cover.



20. Check that all wire harnesses are routed properly and all connectors are plugged in.
21. Reconnect the negative cable to the battery.
22. Enter the customer's radio anti-theft code, if applicable, and reset the radio station presets.
23. Reset the clock.
24. Check the operation of the trunk opener with the vehicle key and with the remote control. Refer to the Security System or Keyless Entry Owner's Manual for proper operation.