



INSTALLATION INSTRUCTIONS

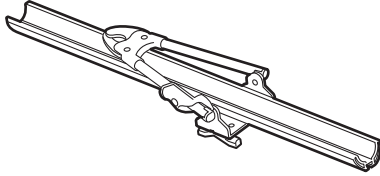
Accessory
**BICYCLE ATTACHMENT
(ROOF)**
P/N 08L07-E09-100

Application
All

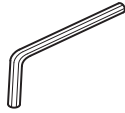
Publications No.
All 41628
Issue Date
MAY 2009

PARTS LIST

Bicycle attachment



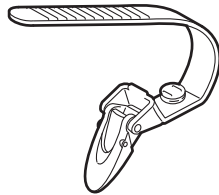
Hex Wrench



2 Keys



2 Wheel straps



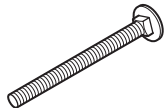
2 Tire adapters



2 End caps



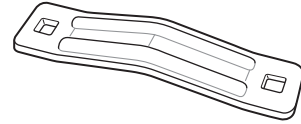
4 Bolts



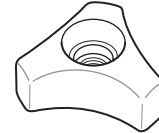
6 Washers



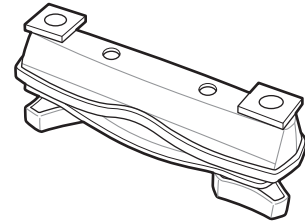
2 Brackets



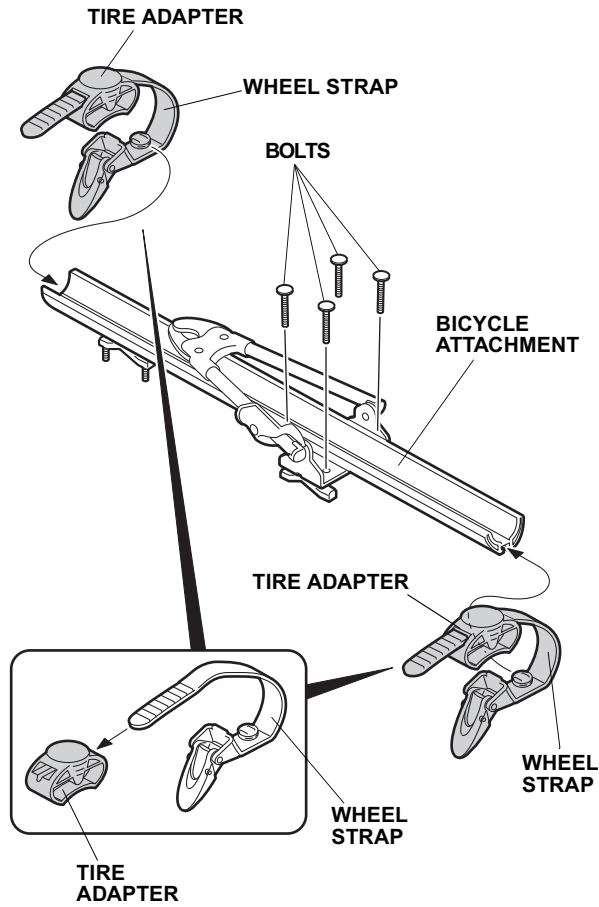
4 Knobs



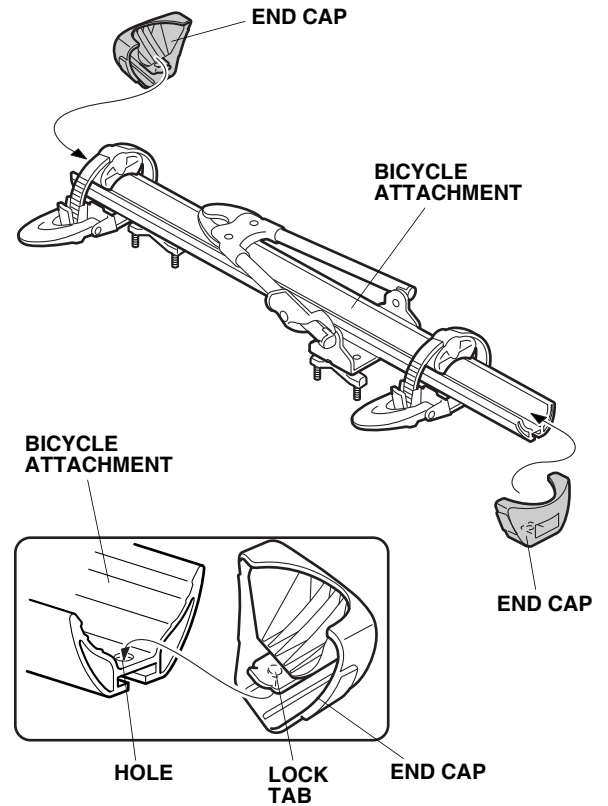
1 Rear Bracket Assy



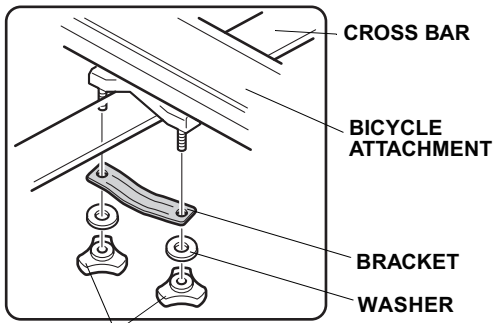
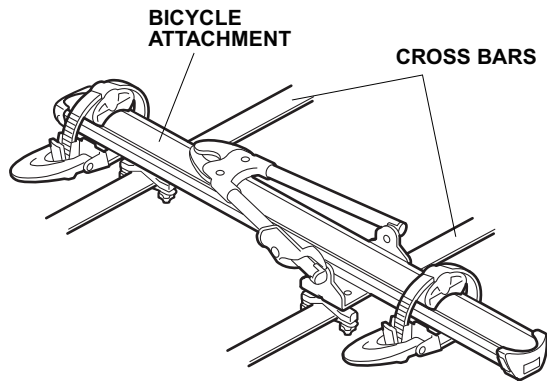
2. Insert the wheel strap to the tire adapter and slide the wheel strap onto the end of the bicycle attachment. Repeat the same procedure on the other end of the attachment. Make sure that both wheel strap buckles are directed the same way. Insert the 4 bolts onto the front plate.



3. Install the end cap onto the bicycle attachment by aligning the lock tab on the end cap with the hole on the bicycle attachment. Push down the end cap until the lock tab "clicks" into place. Repeat the same procedure on the other end of the attachment.

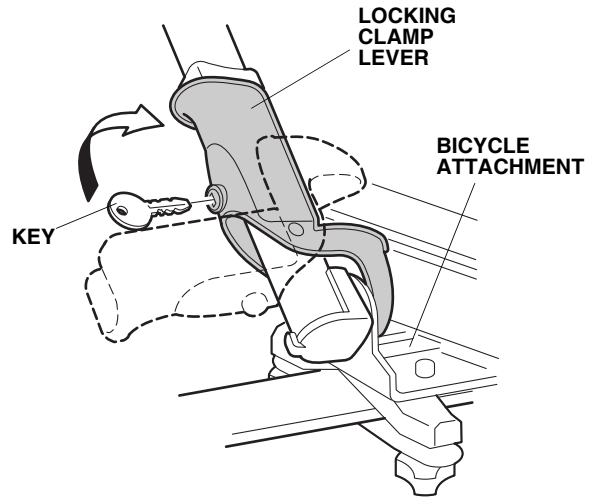


4. Install the bicycle attachment to the cross bar with two thumbwheel screws and one bracket. Repeat the same procedure for the other two positions on the bicycle attachment.

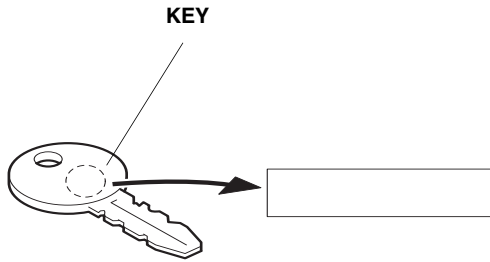


THUMBWHEEL SCREWS AND WASHERS

5. Close the locking clamp lever. To deter theft of the bicycle attachment, lock the locking clamp lever with the key.



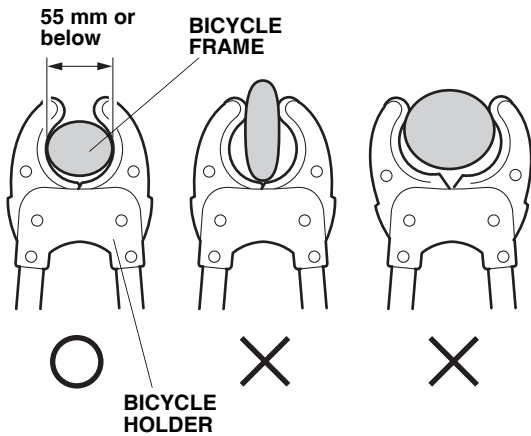
6. Write down the key number in case the key is lost or stolen.



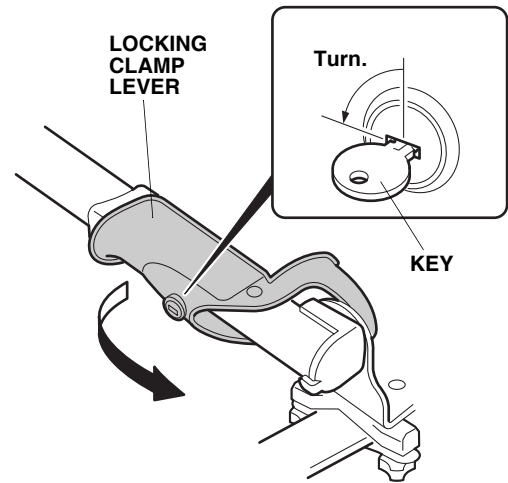
7. Store the key in the glove box for future use.

How to Install the Bicycle on the Bicycle Attachment

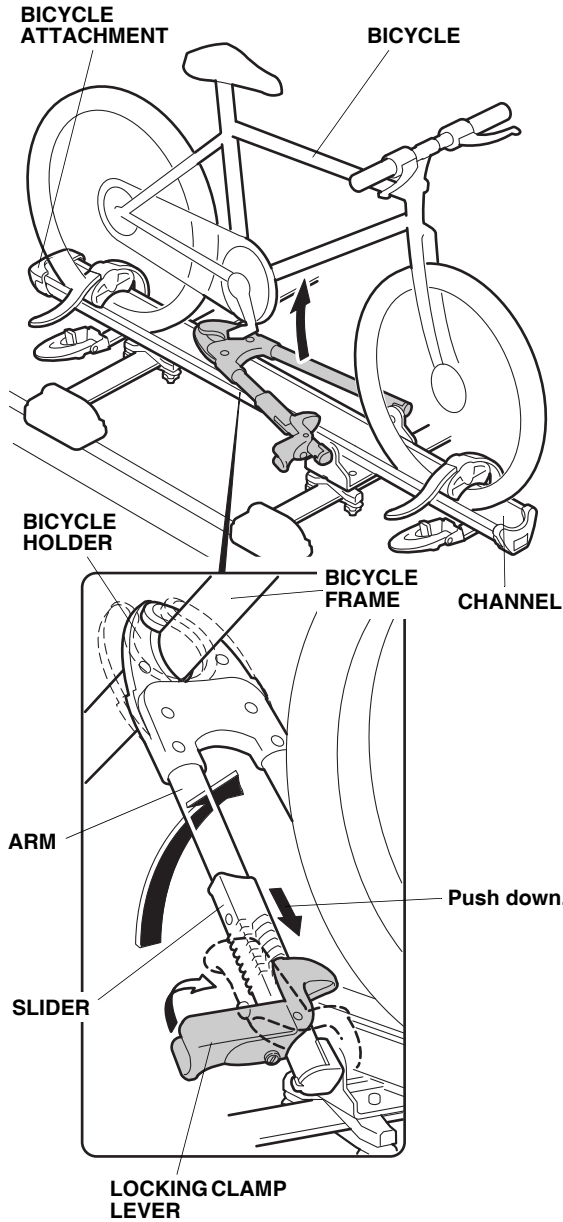
8. Do not carry a bicycle with this bicycle attachment if the diameter of its frame exceeds 55 mm or if its sectional view is not circular in the area where it is held by the bicycle holder.



9. Release the locking clamp lever with the key and pull the locking clamp lever down.

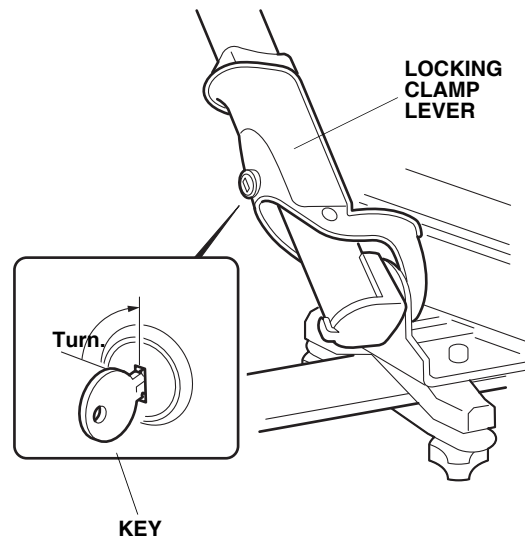


- Position the bicycle on the channel. Lift the arm up, and hold the bicycle's frame by the bicycle holder to push down the slider.

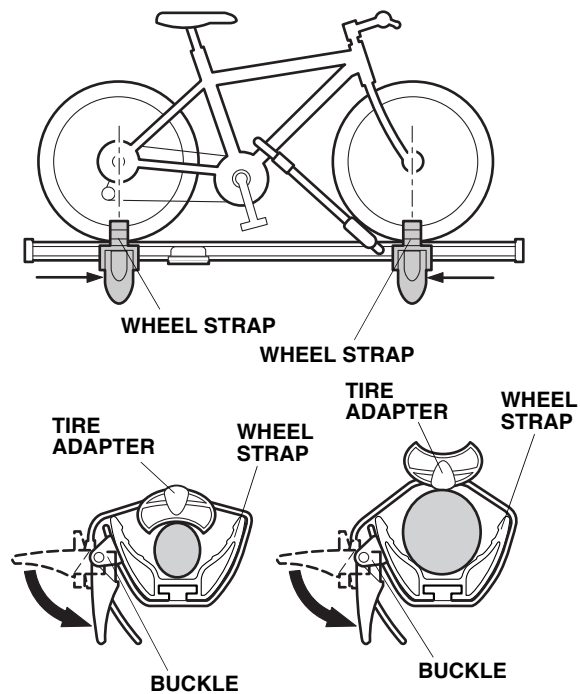


- Push up the locking clamp lever to secure the bicycle frame.

- Lock the locking clamp lever by inserting the key into the key cylinder and turning it in a clockwise direction.



- Position wheel straps at the center of the bicycle's wheels, then secure the wheels with the wheel straps by inserting the belts through the buckles and locking the buckles in the direction shown. If the size of the bicycle tire is too big to be secured by the belts, reinstall the tire adapters upside down on the belts as shown. Make sure the buckles are applied securely.



USE AND CARE

- Addition of the bicycle attachment on the vehicle raises the overall height of the vehicle. Pay attention to overhead obstacles when driving with the bicycle attachment.
- Before and after driving, or after loading the bicycle on the attachment, check the security of the attachment mounts and retighten them as necessary.

PRECAUTION

- Avoid sudden starts or stops with the attachment on the vehicle. It may cause bolts and other fasteners to loosen.
- Obey local laws and regulations.
- Before driving, check that the attachment is locked securely regardless of whether or not the bicycle is mounted on the attachment.
- Do not use the bicycle attachment with the vehicles other than those specified.