

**H HONDA**  
**INSTALLATION**  
**INSTRUCTIONS**

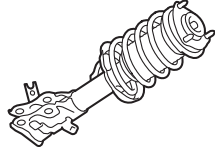
Accessory  
**SPORTS SUSPENSION**  
 P/N 08W60-TS9-100

Application  
**2013 CIVIC**  
**2-DOOR (Si)**

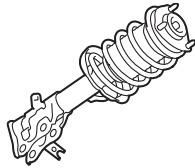
Publications No.  
**All 49481**  
 Issue Date  
**MAY 2013**

**PARTS LIST**

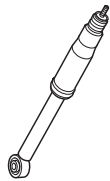
Right front damper assembly



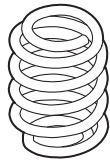
Left front damper assembly



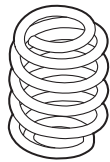
2 Rear dampers



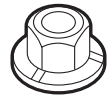
Right rear spring



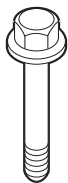
Left rear spring



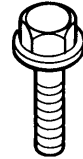
2 Flange nuts A, 10 mm



2 Flange bolts, 12 x 86.5 mm



4 Flange bolts, 16 x 62 mm



4 Flange nuts, 16 mm



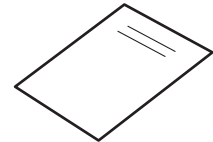
6 Flange nuts B, 10 mm



2 Self-locking nuts, 10 mm



Important Information



## INSTALLATION

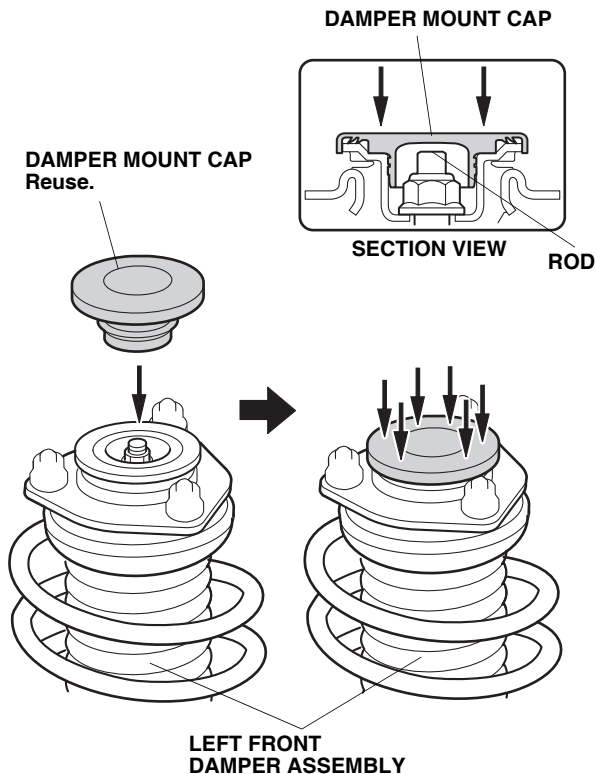
### NOTE:

- Park the vehicle on a firm, level surface.
- Inflate the tires to the specified air pressure.
- Follow the steps and precautions in the service information removal and installation procedures.
- Install the front damper assemblies in the proper positions. The damper marked R goes on the right side; the damper marked L goes on the left side.
- This suspension is designed to be used only on this model and should not be used on any other models.
- These instructions are for the left side. The same procedure applies to the right side.

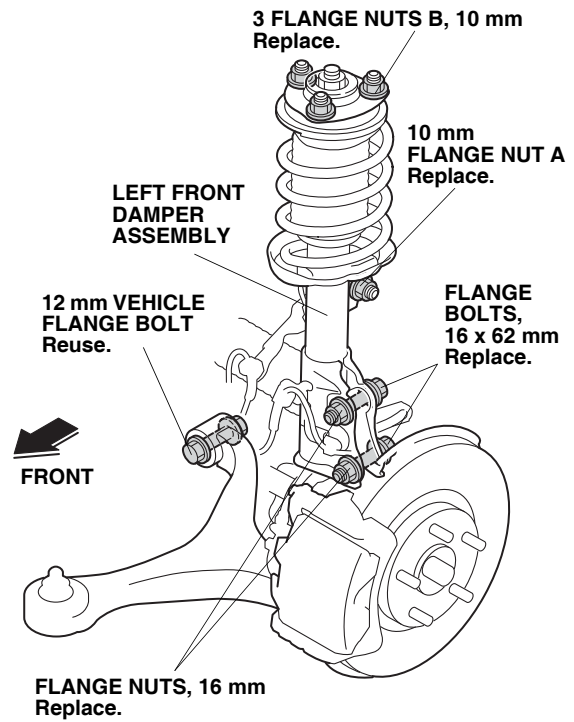
### Front

Only general explanations are given. Always refer to the on-line service procedures.

1. Remove the damper mount cap from the vehicle left front damper. Install the damper mount cap securely to the new left front damper assembly.

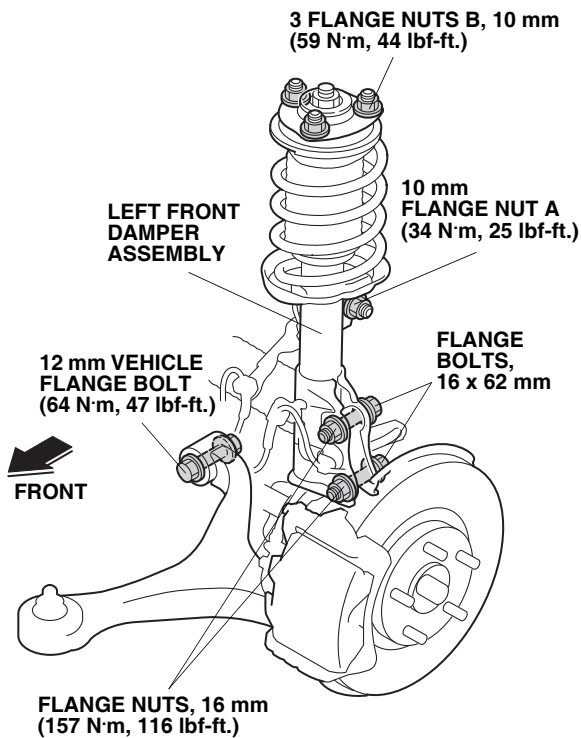


2. Remove the vehicle left front damper. Take care not to damage the wheel sensor harness clip.
3. Install the new left front damper assembly. Install the nuts and bolts loosely: do not torque them at this time.



4. Repeat steps 1 thru 3 to install the front damper assembly on the right side of the vehicle.

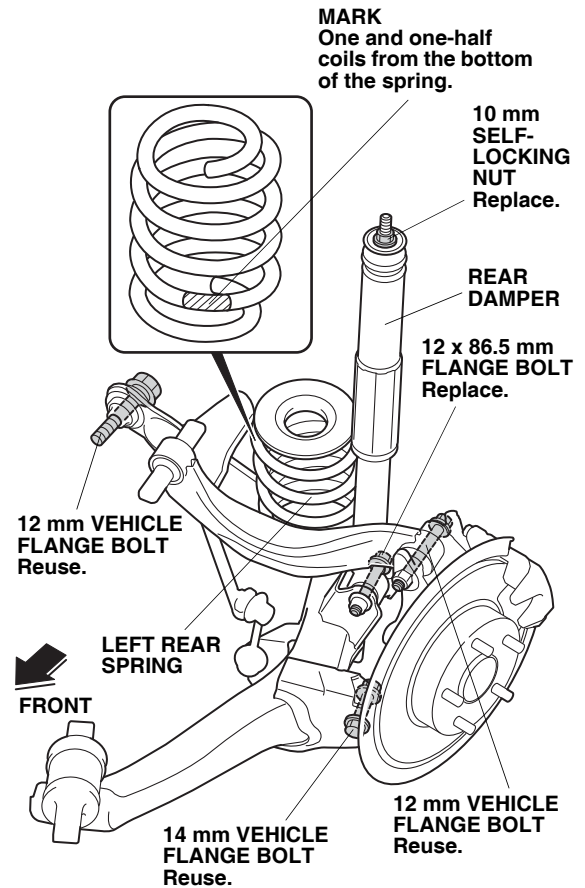
5. Use a jack to raise the suspension and load it with the vehicle weight.
6. Tighten the bolts and nuts to the specified torque.  
NOTE: If the bolts and nuts are tightened without the vehicle weight applied, there is strain on the bushings that will cause uneven tire wear. Also, the vehicle may not settle to the specified vehicle height.



7. Repeat the same procedure on the right side of the vehicle.

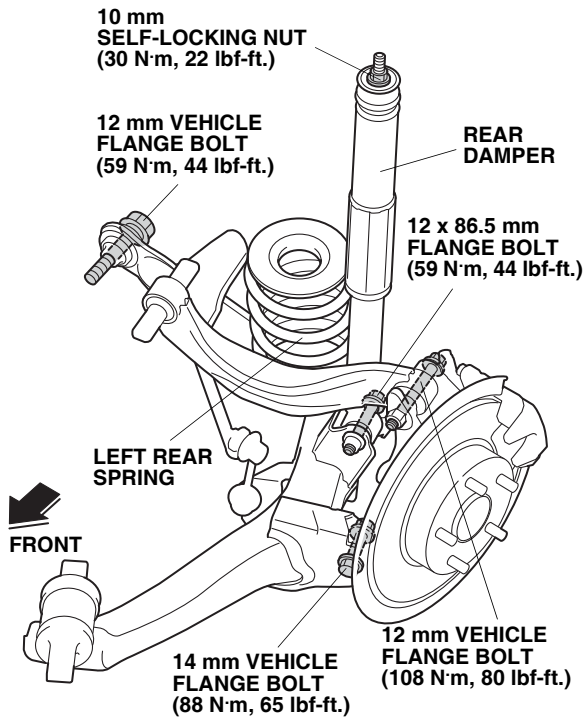
## Rear

8. Remove the vehicle left rear damper and spring. Take care not to kink or damage the brake hose.
9. Install the new spring and damper. Make sure the spring is seated properly. Install the nuts and bolts loosely: do not torque them at this time.



10. Repeat steps 8 and 9 to install the new spring and damper on the right side of the vehicle.

11. Use a jack to raise the suspension and load it with the vehicle weight.
12. Tighten the bolts and nuts to the specified torque.



13. Repeat the same procedure on the right side of the vehicle.
14. Attach the “Important Information” page included in this kit to the owner’s manual. Refer to the “To The Dealer” label. Explain the contents of the “Important Information” to your customer before delivering the vehicle.

### TOE ADJUSTMENT

Adjust toe on both front and rear wheels as instructed in the service manual.

### HEADLIGHT AIMING ADJUSTMENT

Adjust the headlight aim as shown in the service manual. Also adjust the fog light aim, if equipped.